

ConstructQC vector_qc1 esmp_ha
HTGTDB eucomm_vector esmp_ha

\$Id: header.tt 6045 2011-09-23 14:43:26Z rm7 \$

dp10 htgt1.sanger.ac.uk
Authenticated username dp10@sanger.ac.uk
Roles read, edit, eucomm, eucomm_edit

[Home](#) > [Report](#) > Gene Report

[LOGOUT](#)

Gene Report

[Dynll1](#) [MGI:1861457](#) [ENSMUSG0000009013](#) [OTTMUSG00000014648](#)

E	K	M	N	ET	R	ETs	ETCs	S	IPP	MR	Gene	Chromosome	Status	Design	Cassette	Backbone
	K	M									Dynll1		Mice - Phenotype Data Available	96317 (107_A11)	L1L2_Bact_P (promoter)	L3L4_pD223_DTA_spec view
	K	M									Dynll1		ES Cells - Targeting Confirmed	96317 (107_A11)	L1L2_Bact_P (promoter)	L4L3_pD223_DTA_spec view
				E	Ts						Dynll1		Vector Construction in Progress	457124 (292_A09)		view
				E							Dynll1		ES cells - Conditional Gene Trap	Not Applicable	FlpROSABetaGeo	view

Program: KOMP / MGP Pipeline Progress: ES Cells - Targeting Confirmed Publicly Reported: Public

[Duplicate Project](#)

Pipeline Stage: Pre-pipeline Designs Vectors ES Cells Mice [Reset gene to redesign](#)

[ES Cells - Targeting Confirmed](#)

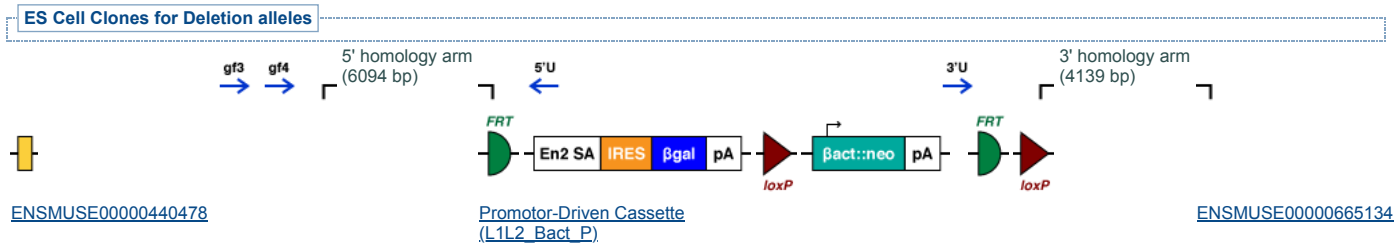
Recovery

Design Tools

ES Cell Clones

Order Gene Targeting Vector # Colonies Screened # Deletion Clones

[Dynll1](#) [PG00107_Z_2_A11](#) 33 14 [GenBank File](#)

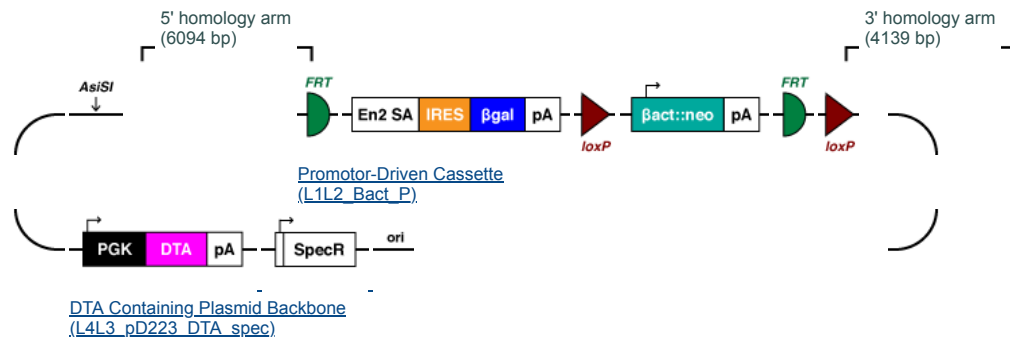


LR PCR Genotyping Primers

- 5' Gene Specific (GF3) GAGGCAAGTGAAGGCACTCACAGCTAAG
- 5' Gene Specific (GF4) GAATCTCAAGGACGCCATTGTCTTCTG
- 5' Universal (LAR3) CACAACGGGTTCTTCTGTTAGTCC
- 3' Universal (RAF5) CACACCTCCCCCTGAACCTGAAAC
- 3' Universal (PNF) ATCCGGGGGTACCGCGTCGAG
- 3' Universal (R2R) TCTATAGTCGCAGTAGGCGG
- 3' Gene Specific (GR3) GTGTGACATCACTGCTCAGATATTATCG
- 3' Gene Specific (GR4) GTTGATTGTGAGTTATTAAGTAGTCGTATG

Targeting Vector

Order	Gene	Design ID	Vector Type	After Flp/Cre	Targeting Vector	Vector Strain	Floxed Exon	Cassette	Backbone	Genbank File
	Dynll1	96317 (107_A11)	Deletion	Frameshift	PG00107_Z_2_A11	C57Bl/6J	ENSMUSE00000189885-ENSMUSE00000267923	L1L2_Bact_P	L4L3_pD223_DTA_spec	view



Intermediate Vector

Order	Gene	Design ID	Vector Type	Intermediate Vector	Vector Strain	Floxed Exon	Genbank File
	Dynll1	96317 (107_A11)	Deletion	PCS00107_A_A11	C57Bl/6J	ENSMUSE00000189885-ENSMUSE00000267923	view

Toolbox

[Short Range Primer Tool](#)

Useful Information

- Links:
 - [KOMP project](#)
 - [KOMP repository](#)
 - [WTSI MGP status viewer](#)
 - [WTSI Mouse Resources Portal](#)

