



Genotyping protocol

Fpr3

IR00004172 / P4172

(ICS internal reference)

This report has been prepared by: **Sylvie JACQUOT**
genotyping@igbmc.fr

This report has been validated by: **Sylvie Jacquot, PhD, Head of Genotyping Service**
33 (0)3 88 65 57 44
genotyping@igbmc.fr

The first version of this report was generated the: 22 Sep 2015

For any question, please contact:

Institut Clinique de la Souris - ICS - Mouse Clinical Institute
1 rue Laurent Fries, BP 10142
67404 Illkirch Cedex, France
Email: genotyping@igbmc.fr
Web site: <http://www-mci.u-strasbg.fr/>

TABLE OF CONTENTS

Table of contents	2
1. Genotyping protocol and data	2
1.1. Genotyping strategy	2
1.2. PCR protocol	4
2. Cre and Flp genotyping method	5

1. Genotyping protocol and data

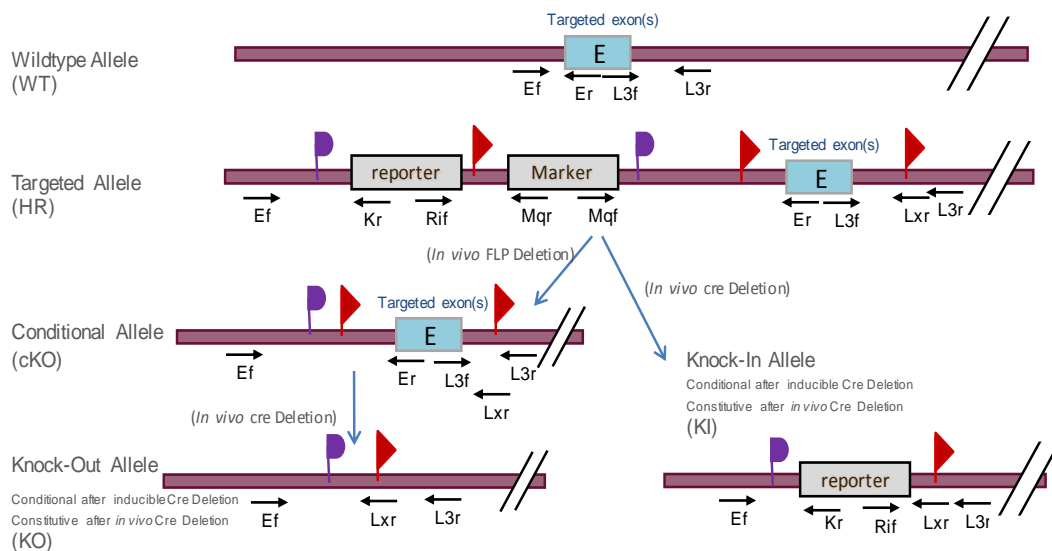
This section describes the condition used at the Mouse Clinical Institute (ICS) to genotype your **Fpr3** Constitutive Knockout / Conditional Knockout (KO-cKO) project.

1.1. Genotyping strategy

The map below describes the position of the primers used for genotyping for each possible allele.



KO-cKO pc _ Genotyping strategy



Sequence of primers used for genotyping:

Position	Primers	Sequence
Ef	7056	GTCTGTTATTTCATTCTGTGGGTCATGC
Er	7060	GGCAGCAAAATGTGGGTGACAGG
Kr	3209	CCAACAGCTTCCCCACAACGG
L3f	7057	GAAGGCCTTAGACTCACTGGGTTAG
L3f ²	7058	CTGAAAAGTACTTCTCTGTCCCCCG
L3r	7059	CCCAGATGCCCTTCAACAGAGG
Lxr	3255	ACTGATGGCGAGCTCAGACCATAAC
Ri1f	5966	GCACATGGCTGAATATCGACGGT

²: for a selected position, a second primer was designed

PCR fragments expected size (bp):

Region analyzed	Primers used	Position on the primer (see the map above)	Targeted allele (HR)	conditional allele (cKO)	Ki allele (Ki)	WildType allele
5' part of the selection marker	7056-3209	Ef / Kr	417	---	417	---
Presence of the distal loxP	7057-7059	L3f / L3r	435	435	---	397
Distal loxP specific PCR	7058-3255	L3f ² / Lxr	338	338	---	---
Excision of the selection marker	7056-7060	Ef / Er	7391*	487	---	313
Cre total excision	5966-3255	Ri1f / Lxr	4244*	---	471	---

*: this PCR product will not be observed using our PCR genotyping conditions (see description below)

** : this PCR is only verified if mice are generated

---: no Amplicon should be obtained

1.2. PCR protocol

This section describes the composition of the mix and cycling conditions used for genotyping.

Reagents:	Volume:
- FastStart PCR Master (Roche)	7.5µl
- DNA (50ng/µl)	1.5µl
- 5' primer (100 µM)	0.06µl
- 3' primer (100 µM)	0.06µl
- Sterile H ₂ O	up to 15 µl

Cycling conditions:

Temp	Time	#Cycles
95°C	4min	1
94°C	30s	34
62°C	30s	
72°C	1min	
72°C	7min	1
20°C	5min	1

NB: These PCR conditions have been optimized for high-throughput genotyping. Adaptation to small-scale may be required.

2. Cre and Flp genotyping method

You will find the genotyping protocol in the publication:

[Highly-efficient, fluorescent, locus directed cre and FlpO deleter mice on a pure C57BL/6N genetic background.](#)

Birling MC, Dierich A, Jacquot S, Hérault Y, Pavlovic G.
Genesis. 2012 Jun;50(6):482-9. doi: 10.1002/dvg.20826. Epub 2012 Mar 20.