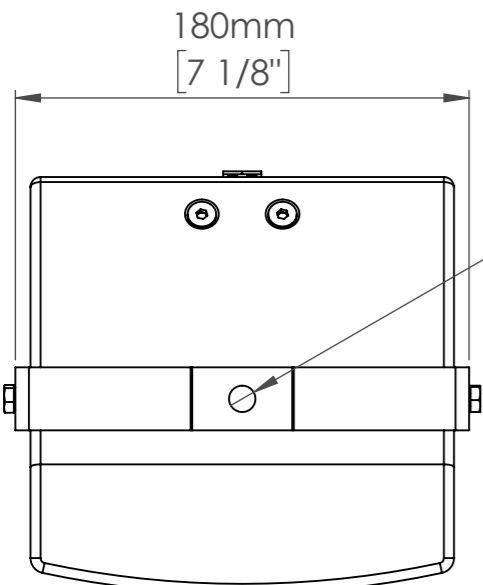
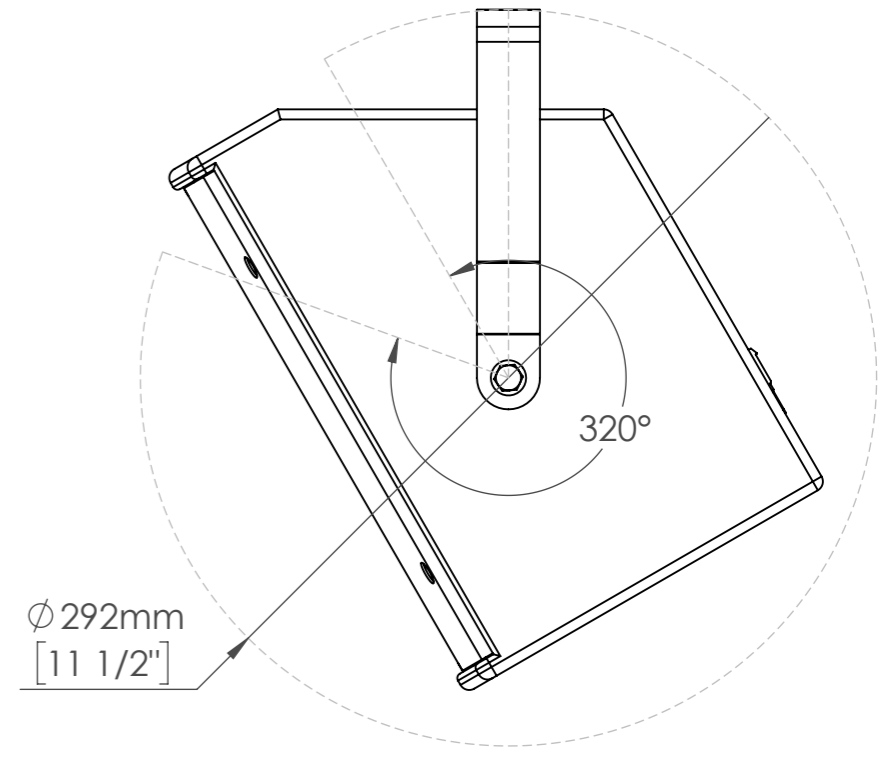
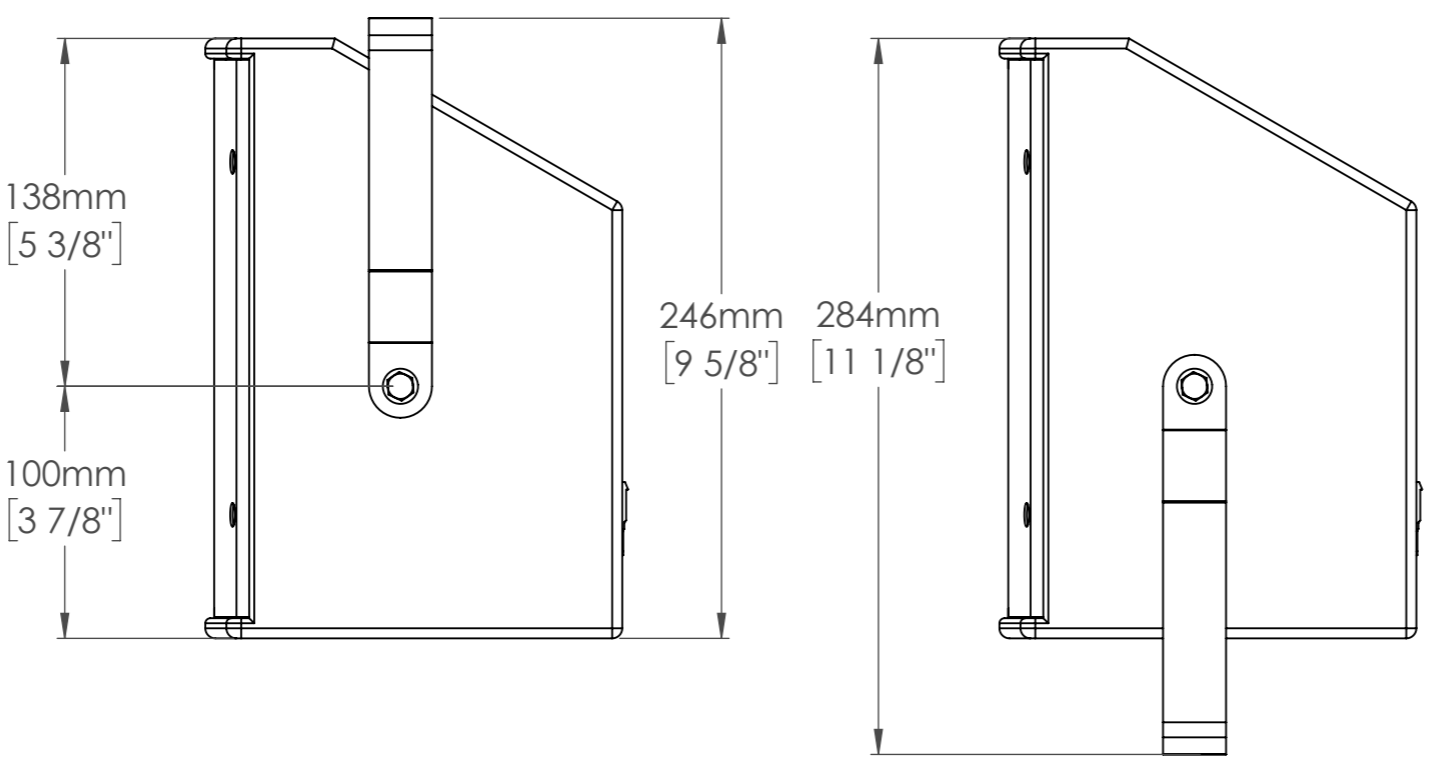
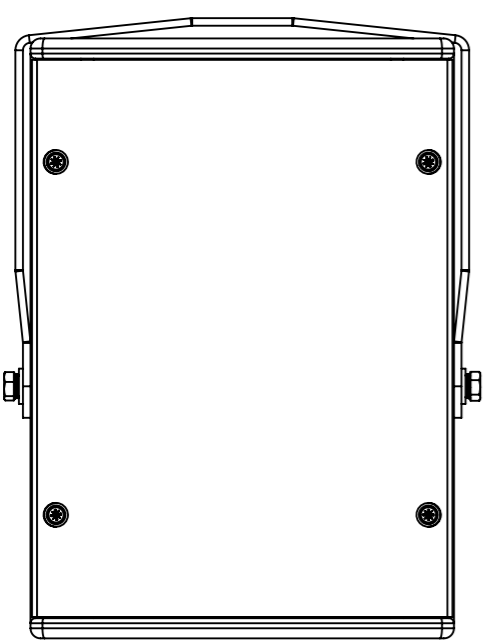
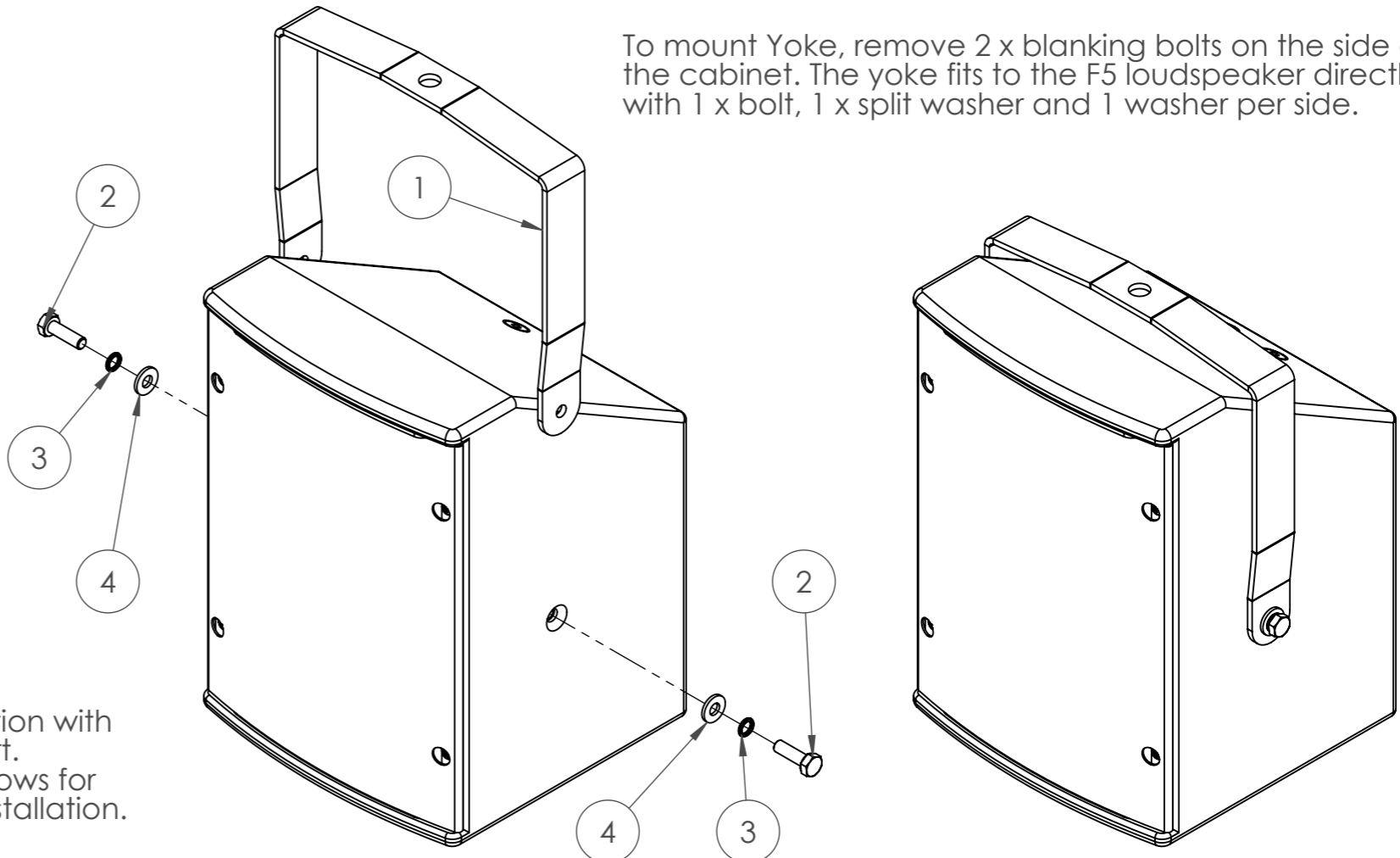


ITEM	DESCRIPTION	QUANTITY
1	F5 YOKE	1
2	M6 X 20mm PAN HEAD BOLT	2
3	M6 C-FORM WASHER	2
4	M6 SPLIT WASHER	2

To mount Yoke, remove 2 x blanking bolts on the side of the cabinet. The yoke fits to the F5 loudspeaker directly with 1 x bolt, 1 x split washer and 1 washer per side.



The Yoke provides 320° of rotation with top down or bottom up support. The offset centre of rotation allows for close mounting for discreet installation.

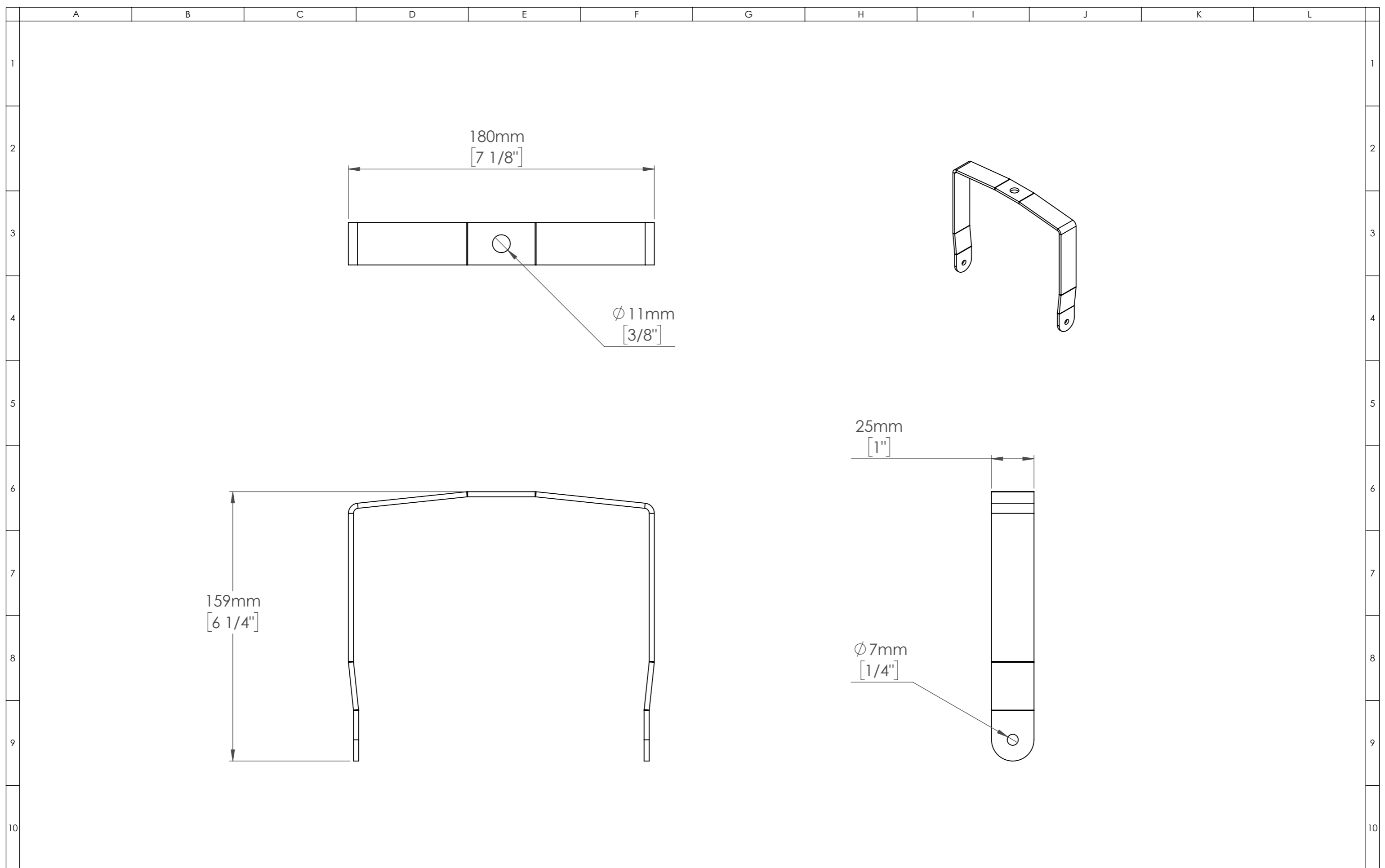


Funktion-One Research LTD
 Hoyle, Beare Green, Dorking, Surrey, RH5 4PS, UK
 mail@funktion-one.com +44 (0)1306 712820

Sheet: Detail Drawing
 Funktion-One Accessory Drawing

A3 Sheet Scale: 1:3
 Filename:

Drawn By: Mike Igglesden 26/04/2023
 YK-F5-F1-AD=T0056-01



Funktion-One Research LTD Hoyle, Beare Green, Dorking, Surrey, RH5 4PS, UK mail@funktion-one.com +44 (0)1306 712820				Sheet: Technical Drawing Funktion-One Accessory Drawing			A3 Sheet Scale: 1:2 Filename:		Drawn By: Mike Igglesden 26/04/2023		YK-F5-F1-AD=T0056-01	
--	--	--	--	--	--	--	----------------------------------	--	--	--	-----------------------------	--