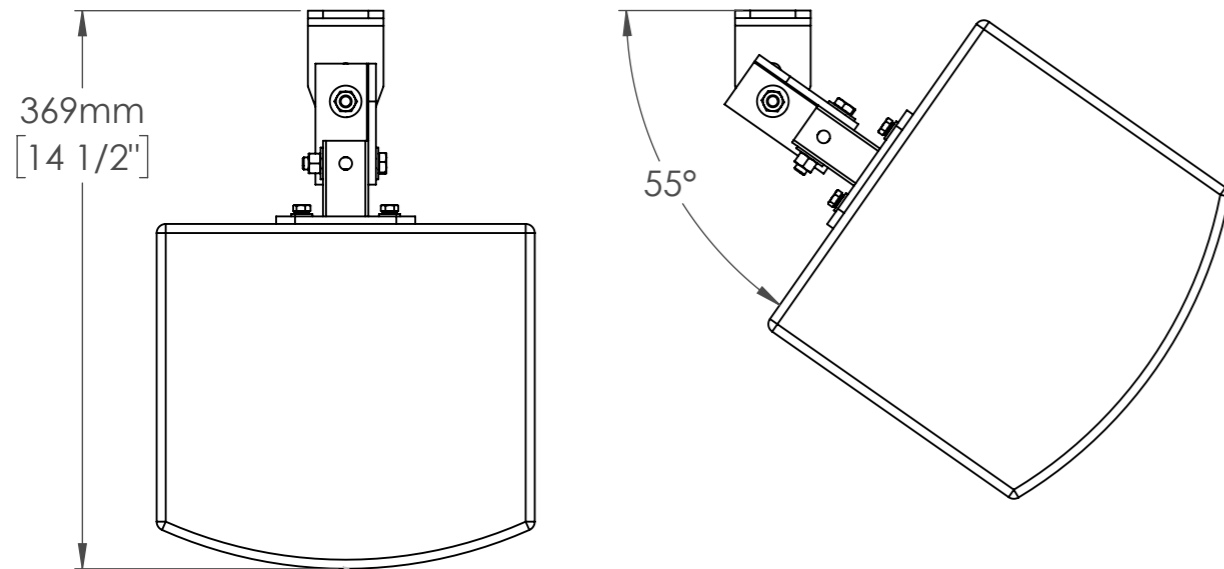
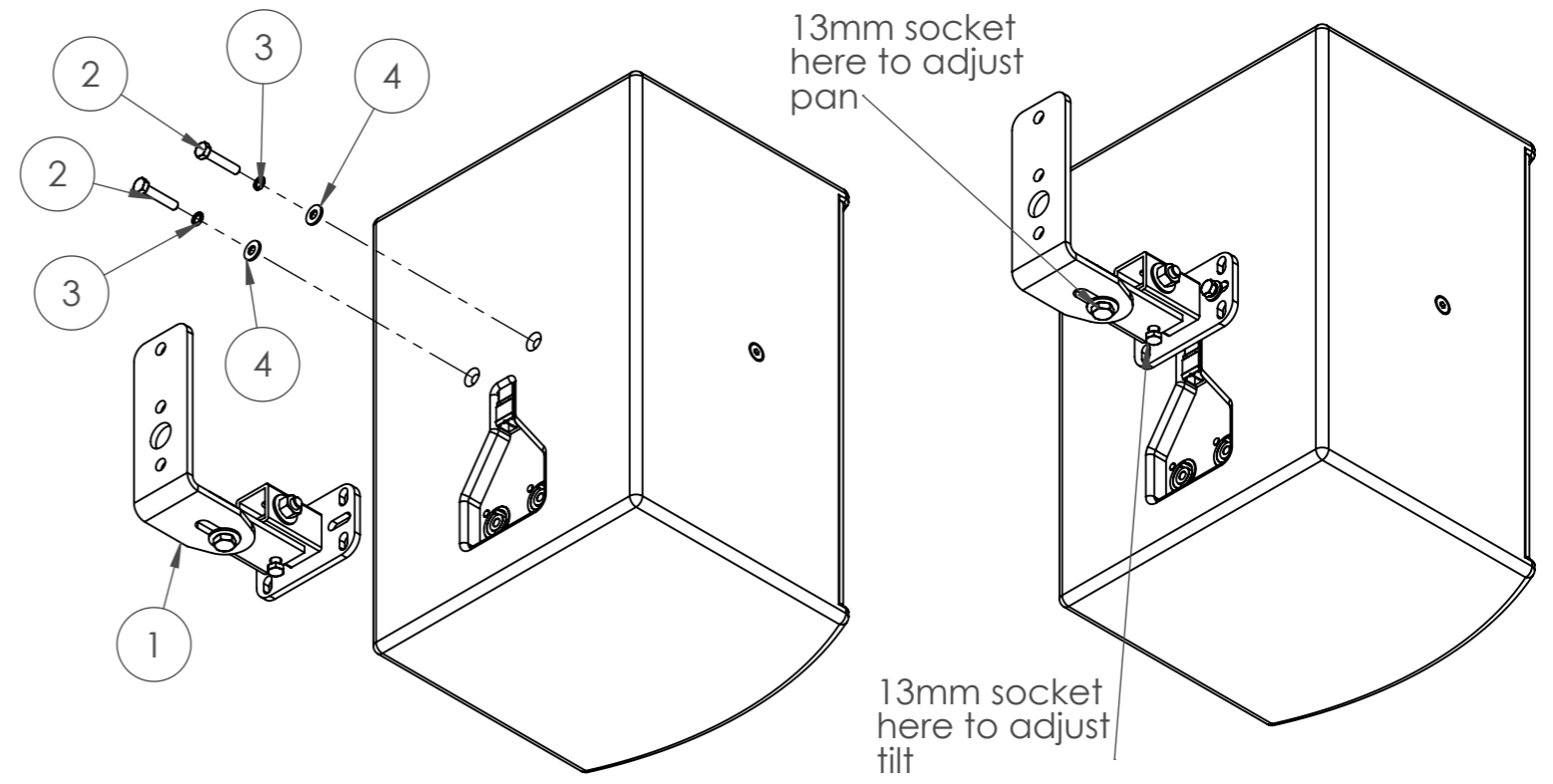
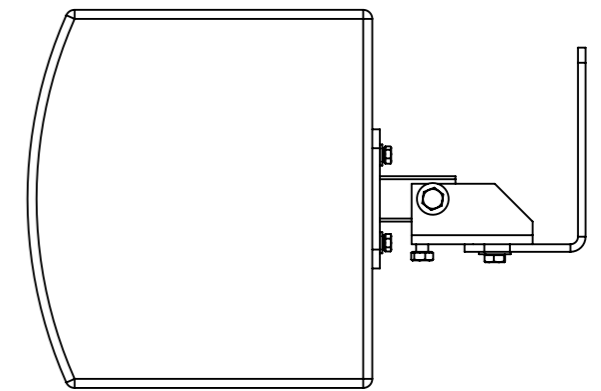
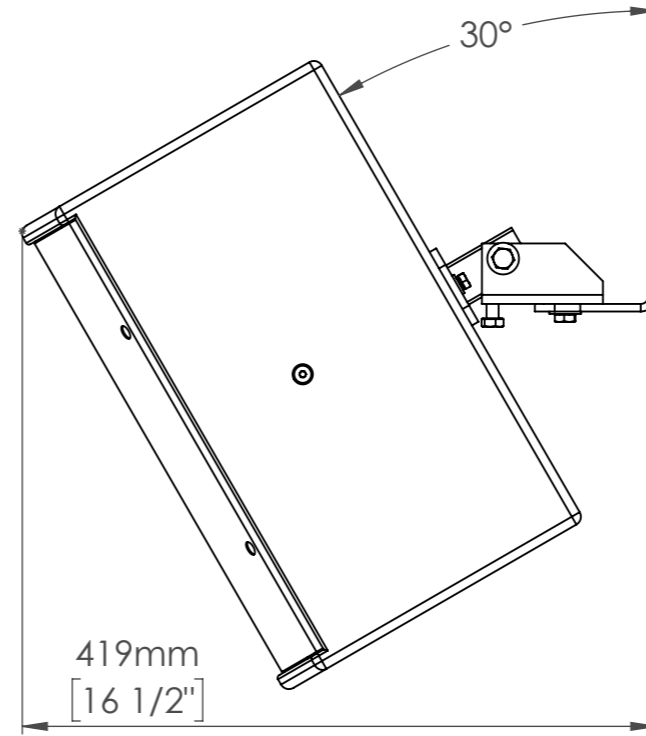
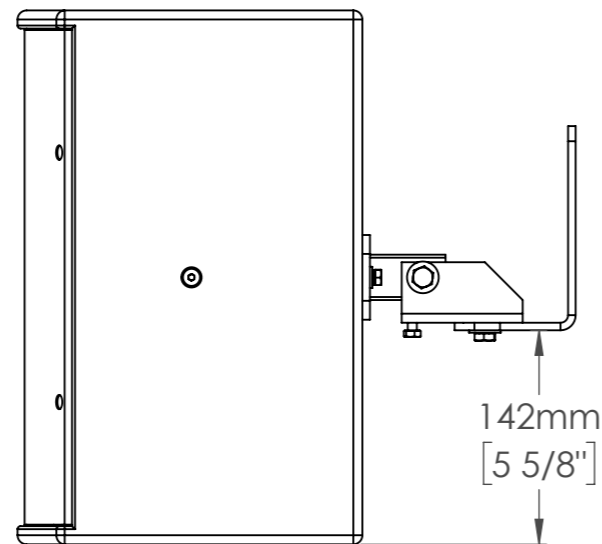
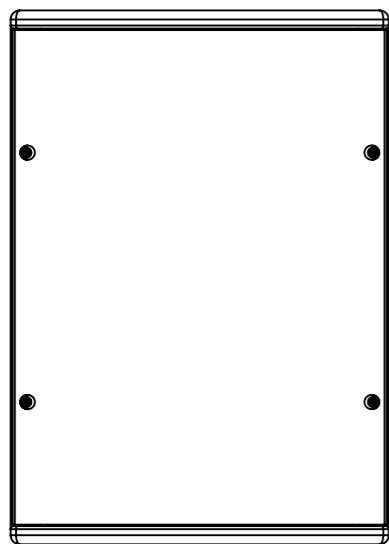


ITEM	DESCRIPTION	QUANTITY
1	F81 WALL MOUNT BRACKET (WMS-50)	1
2	M6 X 30mm HEX HEAD BOLT	2
3	M6 SPLIT WASHER	2
4	M6 C-FORM WASHER	2



Remove 2 x M6 blanking bolts. Wall mount bracket is fitted directly to the F81 loudspeaker using 2 x bolt, 2 x split washers and 2 x washers.

With no vertical tilt, maximum horizontal pan is 55°. This reduces when introducing tilt. Maximum vertical tilt is 30°



Possible to horizontally mount the F81 by rotating the speaker plate on the WMS50.

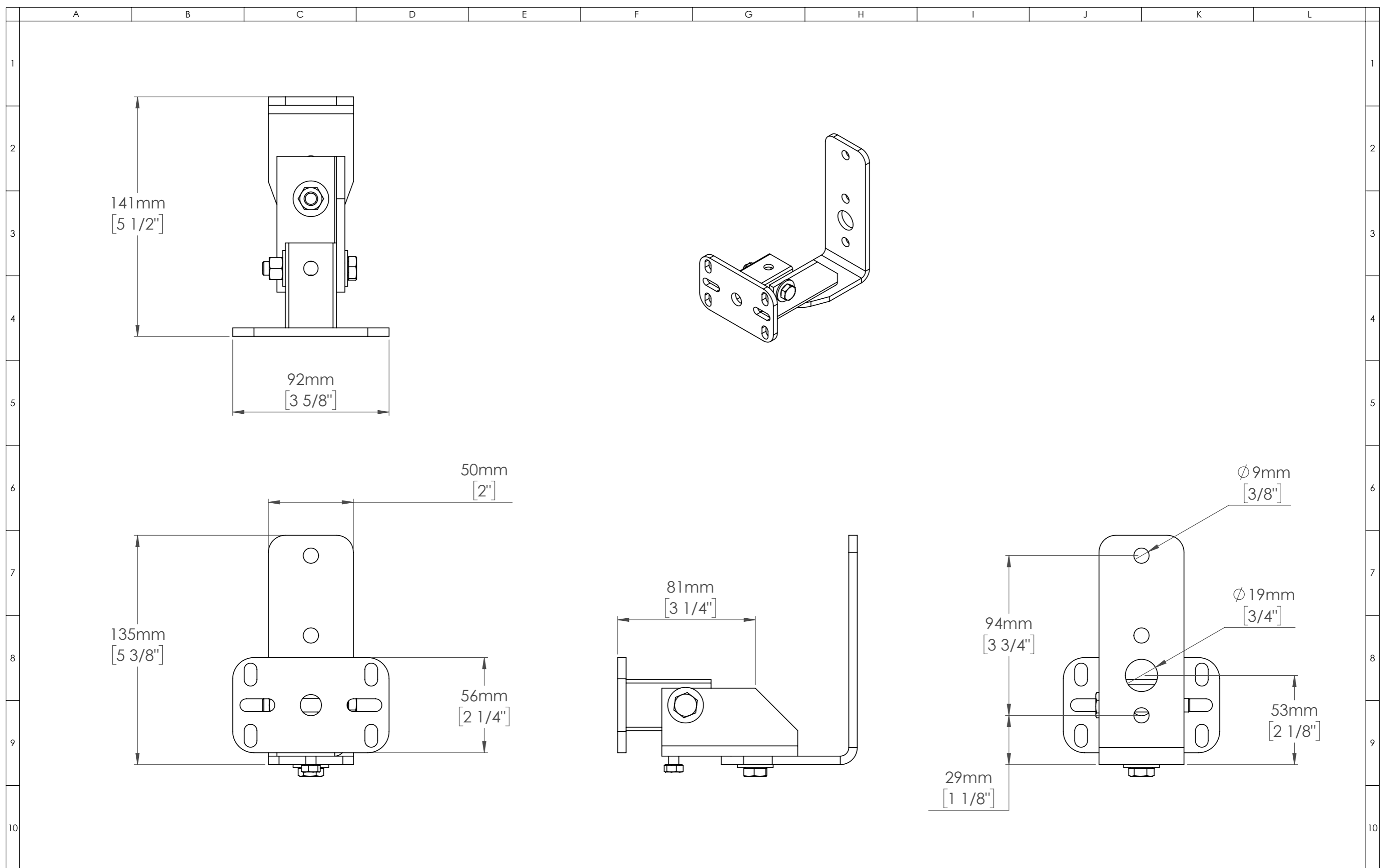
Funktion-One Research LTD
 Hoyle, Beare Green, Dorking, Surrey, RH5 4PS, UK
 mail@funktion-one.com +44 (0)1306 712820

Sheet: Detail Drawing
 Funktion-One Accessory Drawing

A3 Sheet Scale: 1:5
 Filename:

Drawn By: Mike Igglesden 26/04/2023

WMS50-81-F1-AD=T0060-01



Funktion-One Research LTD Hoyle, Beare Green, Dorking, Surrey, RH5 4PS, UK mail@funktion-one.com +44 (0)1306 712820				Sheet: Technical Drawing Funktion-One Accessory Drawing			A3 Sheet Scale: 1:2 Filename:		Drawn By: Mike Igglesden 26/04/2023		WMS50-81-F1-AD=T0060-01	
--	--	--	--	--	--	--	----------------------------------	--	--	--	--------------------------------	--