

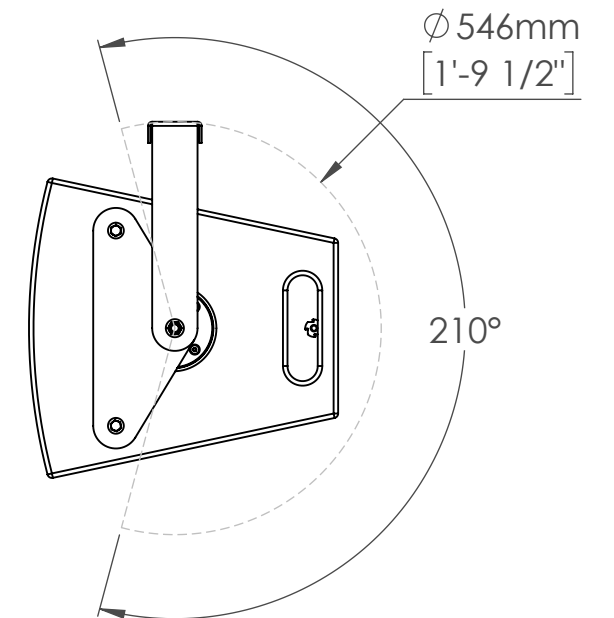
To mount the spigot plate, remove the 4 x M8 blanking bolts on the end faces of the loudspeaker. Fit the bracket with 2 x bolts, 2 x split washers & 2 x washers per side. Keep the blanking bolts as these are required to seal the cabinet should you remove the brackets

The yoke fits to the the basket with 1 x washer and 1 x Nylock nut. The nitrile washer fits between the yoke and the bracket

Initially keep nut loose, adjust to required angle then tighten to secure. Yoke to be mounted correctly using the 13mm holes on yoke.

ITEM	DESCRIPTION	QUANTITY
1	F1201.2 HORIZONTAL YOKE	1
2	F1201.2 SPIGOT PLATE	2
3	M8 X 30mm HEX BOLT	4
4	M8 SPLIT WASHER	4
5	M8 C-FORM WASHER	4
6	M10 NYLOCK NUT	2
7	M10 C-FORM WASHER	2
8	M10 NITRILE WASHER	2

The yoke can rotate 210 degrees around the back of the cabinet, This allows for up to 15 degrees of upward tilt and any amount of downward tilt.



IMPORTANT NOTE! This yoke kit is for the F1201.2 only, YK-HF1201 is for the F1201.

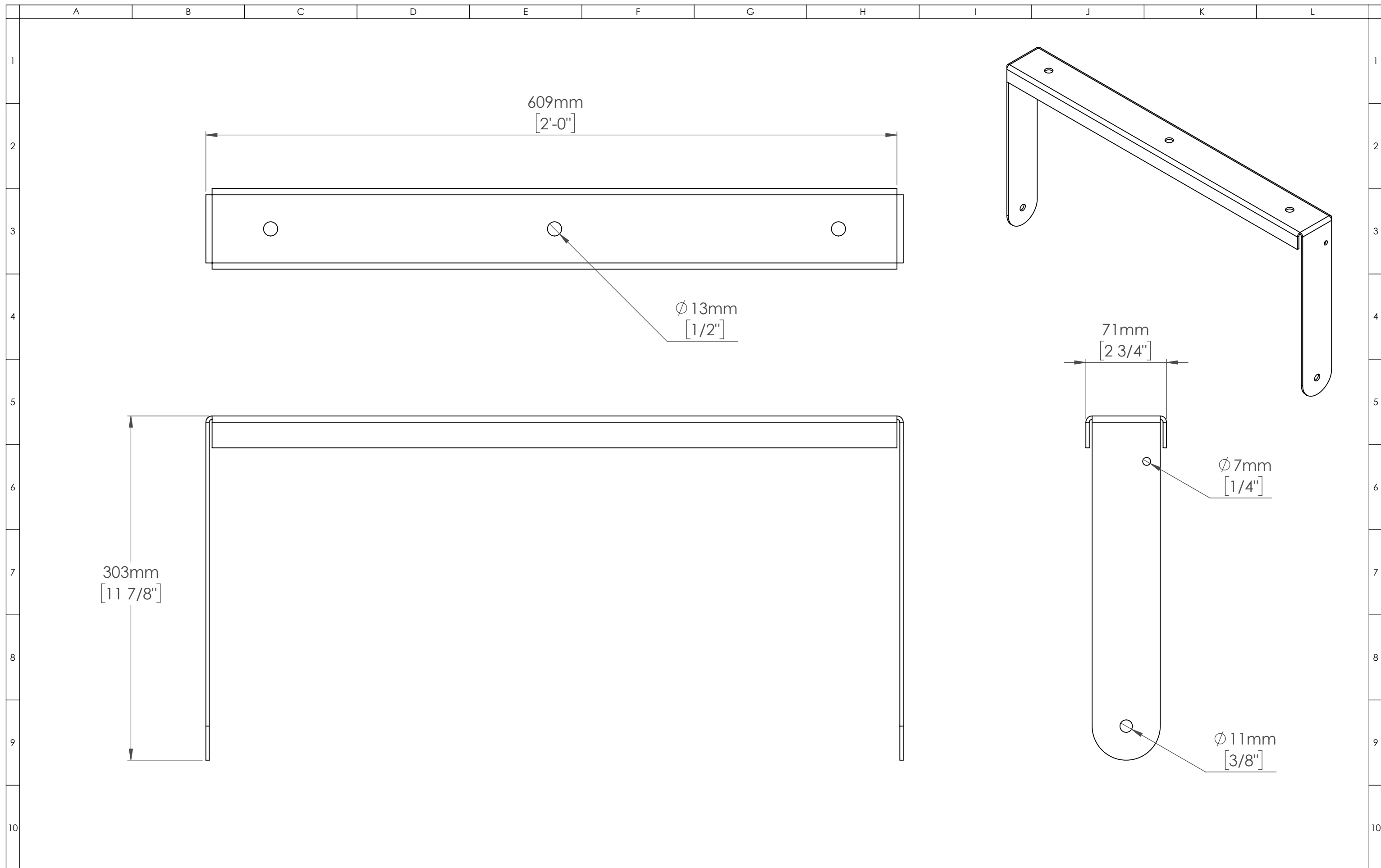
Funktion-One Research LTD
 Hoyle, Beare Green, Dorking, Surrey, RH5 4PS, UK
 mail@funktion-one.com +44 (0)1306 712820

Sheet: Detail Drawing
 Funktion-One Accessory Drawing

A3 Sheet Scale: 1:10
 Filename:

Drawn By: Mike Igglesden 02/05/2023

YK-HF1201.2-F1-AD=T0050-00



Funktion-One Research LTD
 Hoyle, Beare Green, Dorking, Surrey, RH5 4PS, UK
 mail@funktion-one.com +44 (0)1306 712820

Sheet: Yoke Technical Drawing

Funktion-One Accessory Drawing

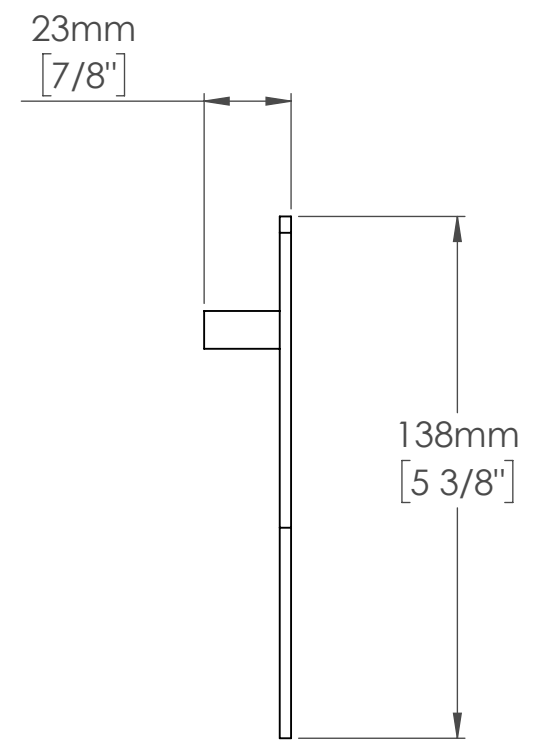
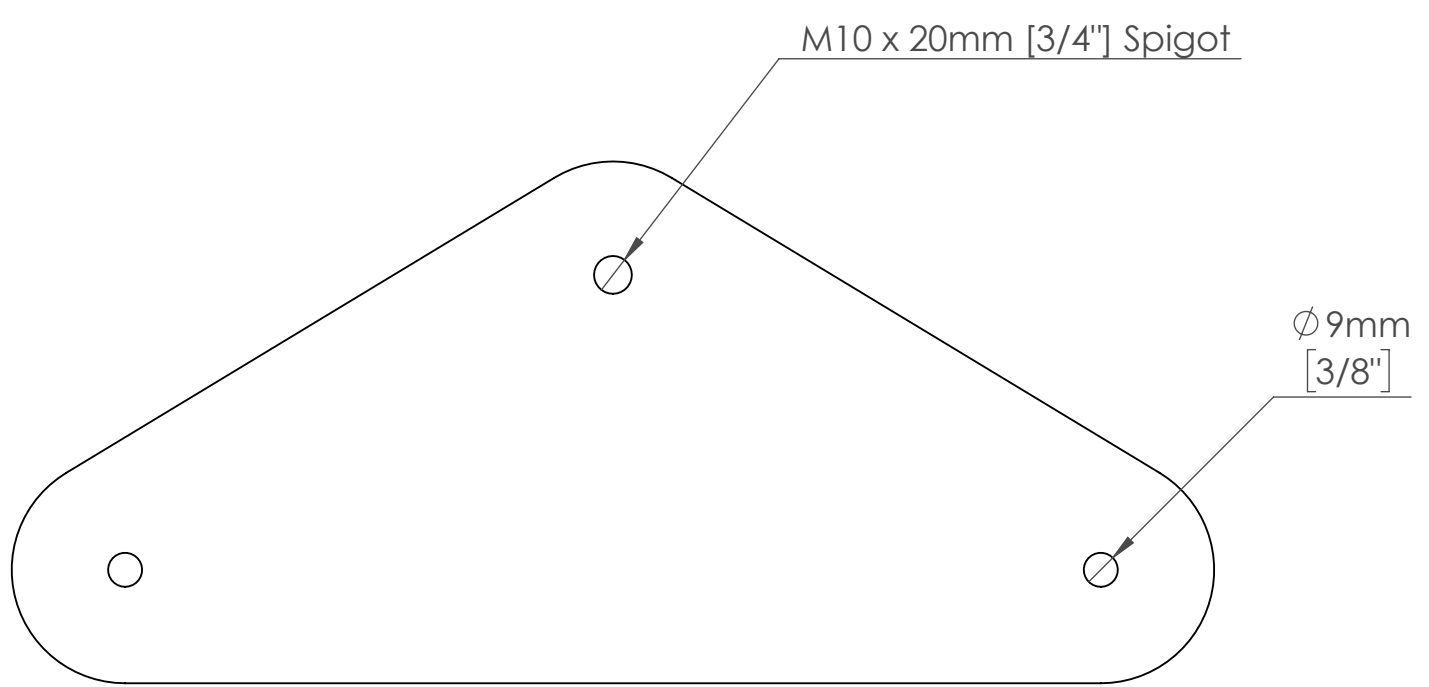
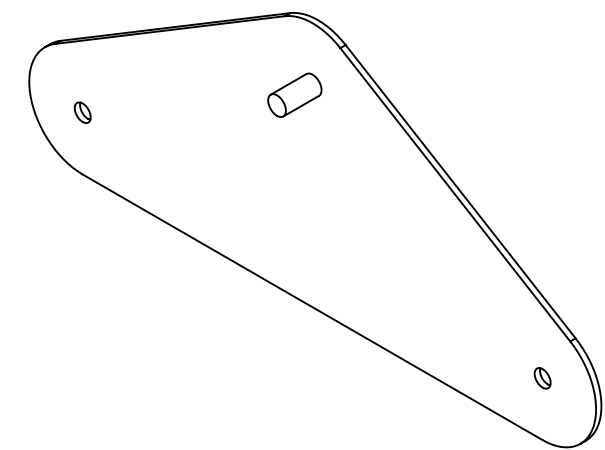
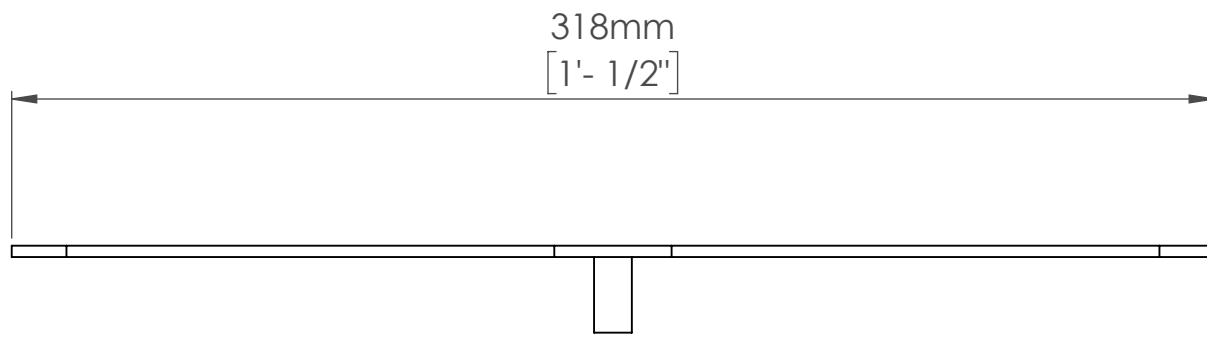
A3 Sheet Scale: 1:3

Filename:

Drawn By: Mike Igglesden

02/05/2023

YK-HF1201.2-F1-AD=T0050-00



Funktion-One Research LTD
 Hoyle, Beare Green, Dorking, Surrey, RH5 4PS, UK
 mail@funktion-one.com +44 (0)1306 712820

Sheet: Spigot Plate Technical Drawing
 Funktion-One Accessory Drawing

A3 Sheet Scale: 1:2
 Filename:

Drawn By: Mike Igglesden 02/05/2023
YK-HF1201.2-F1-AD=T0050-00