

Funktion-One Research LTD
 Hoyle, Beare Green, Dorking, Surrey, RH5 4PS, UK
 mail@funktion-one.com +44 (0)1306 712820

Sheet: Dimensions
 Funktion-One Product Technical Drawing

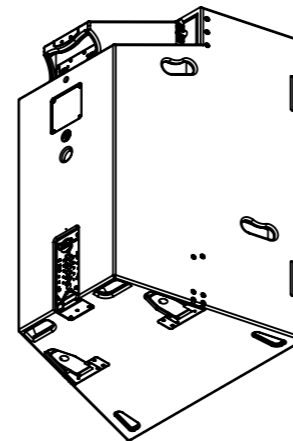
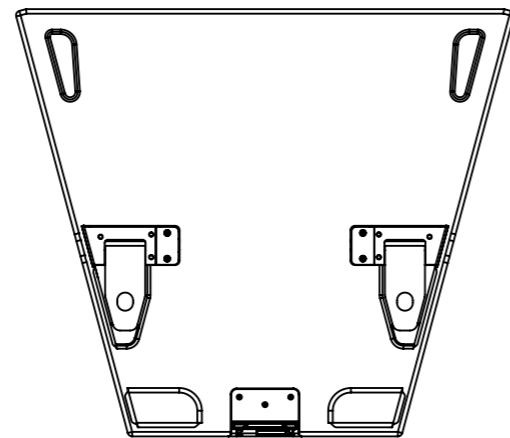
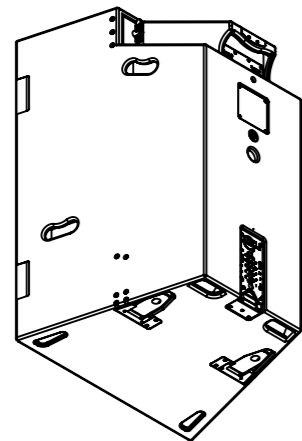
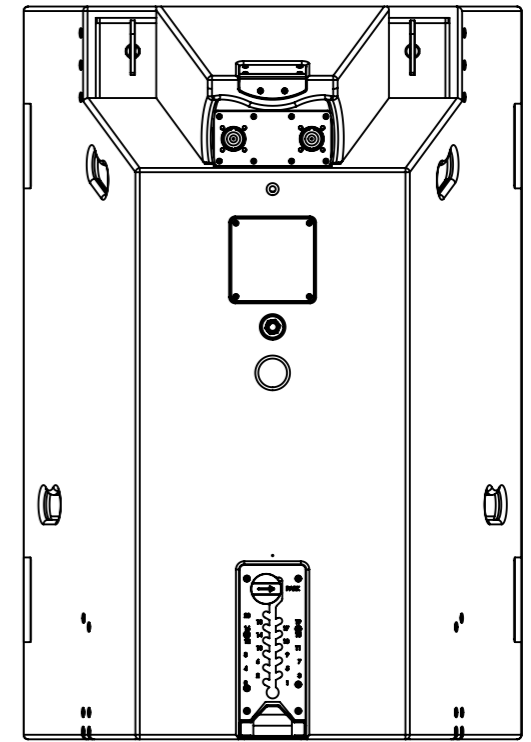
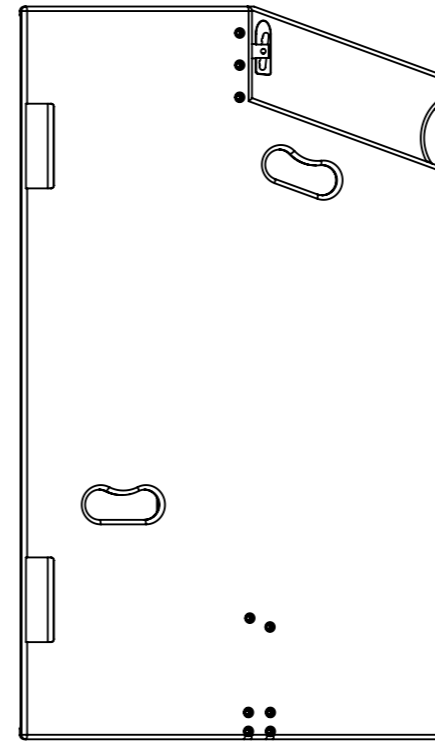
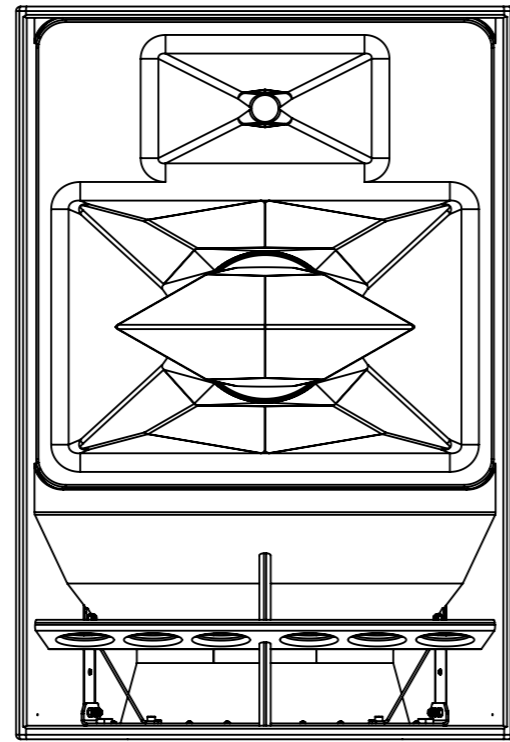
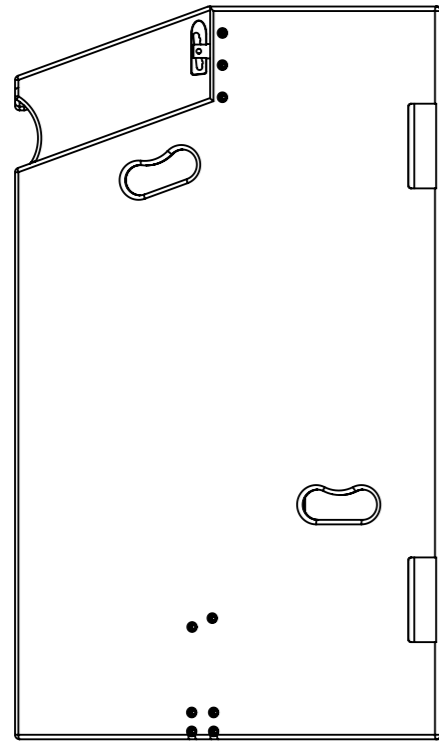
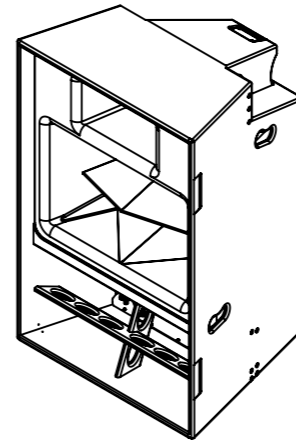
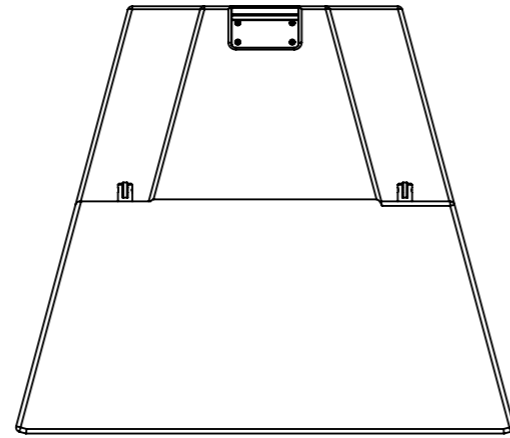
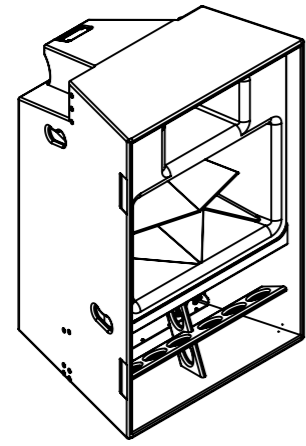
A3 Sheet Scale: 1:10

Drawn By: Mike Igglesden

22/06/2021

Filename:

Evo7T-F1-TD=T0150-00



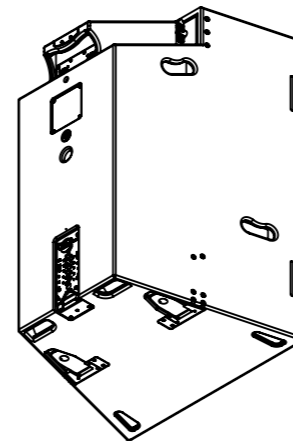
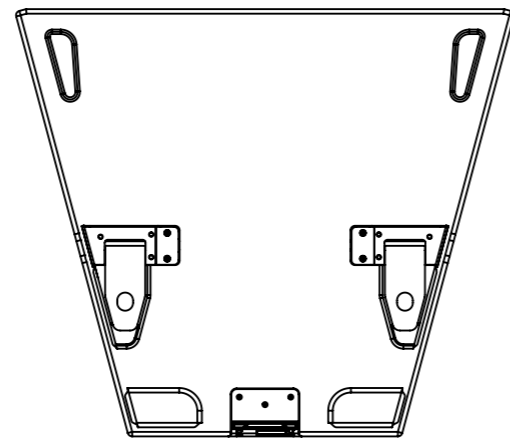
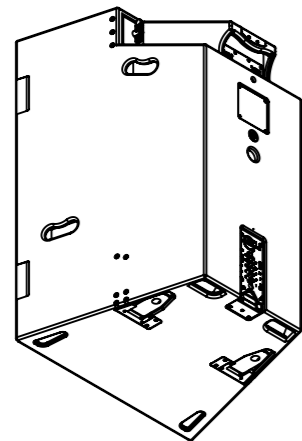
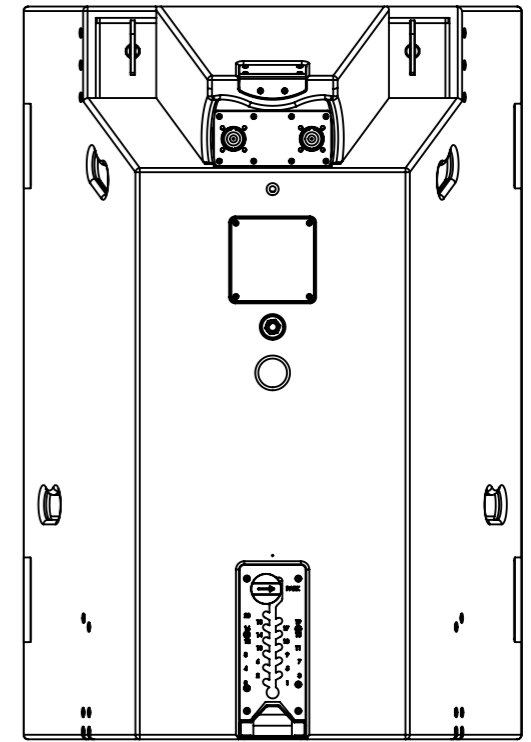
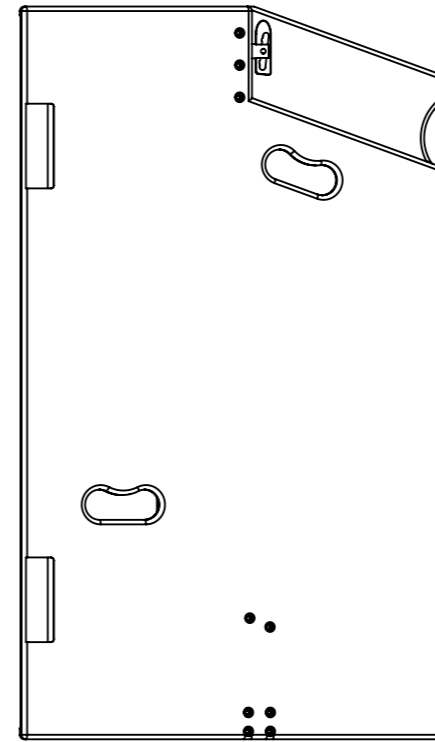
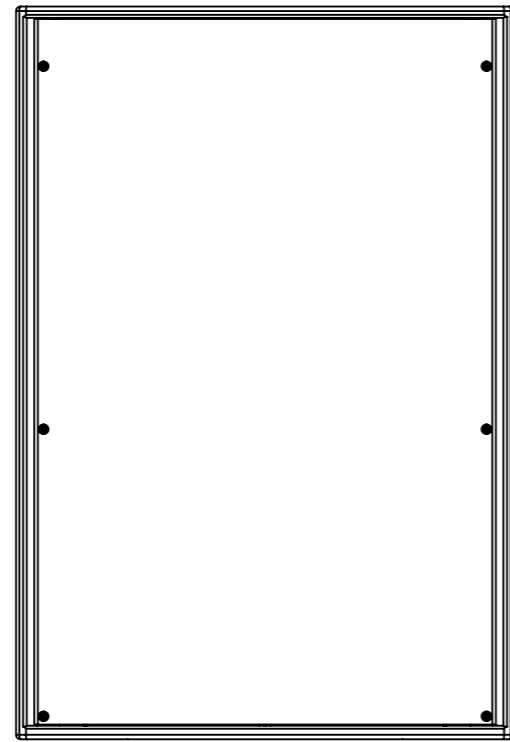
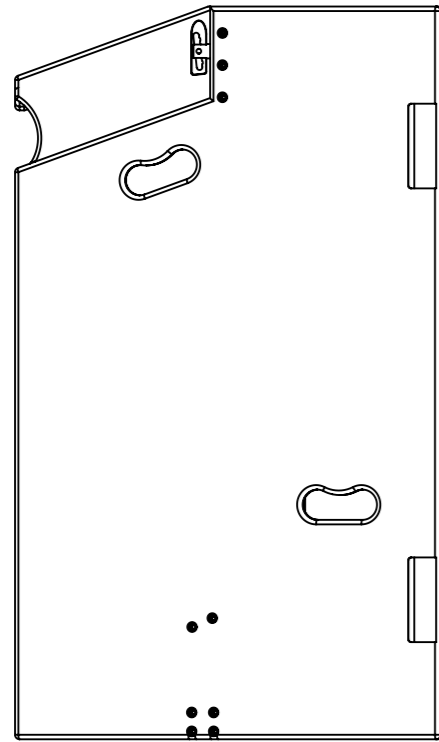
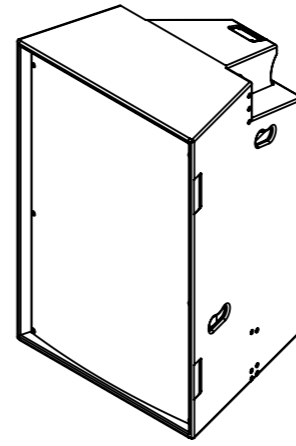
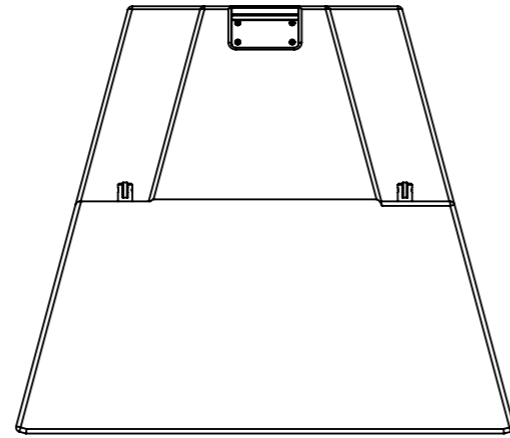
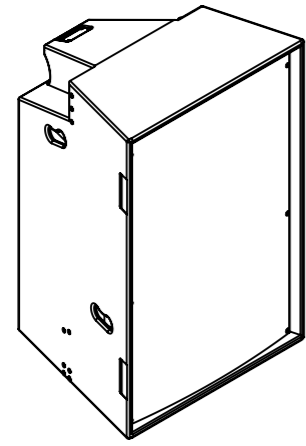
Funktion-One Research LTD
 Hoyle, Beare Green, Dorking, Surrey, RH5 4PS, UK
 mail@funktion-one.com +44 (0)1306 712820

Sheet: Standard
 Funktion-One Product Technical Drawing

A3 Sheet Scale: 1:10
 Filename:

Drawn By: Mike Igglesden 22/06/2021

Evo7T-F1-TD=T0150-00



Funktion-One Research LTD
 Hoyle, Beare Green, Dorking, Surrey, RH5 4PS, UK
 mail@funktion-one.com +44 (0)1306 712820

Sheet: Grille
 Funktion-One Product Technical Drawing

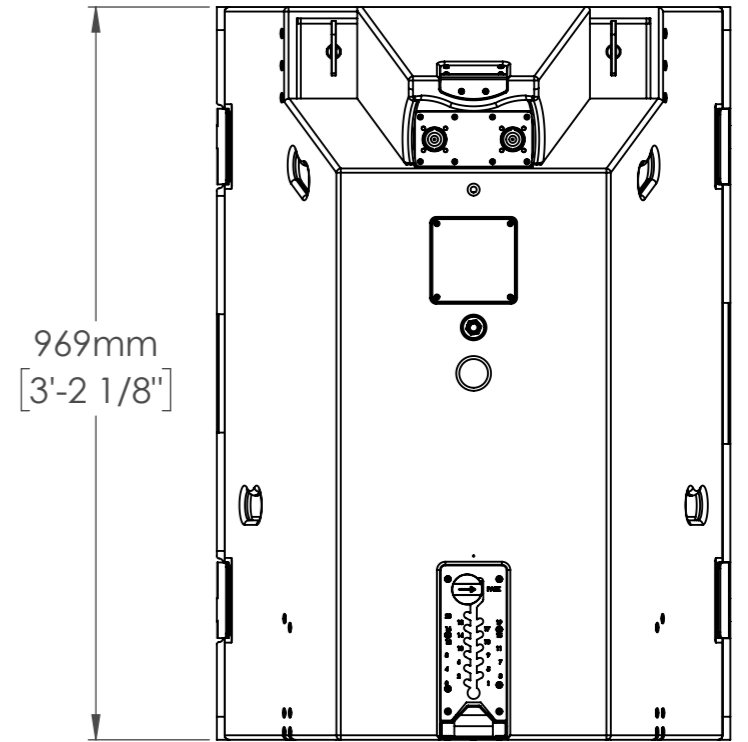
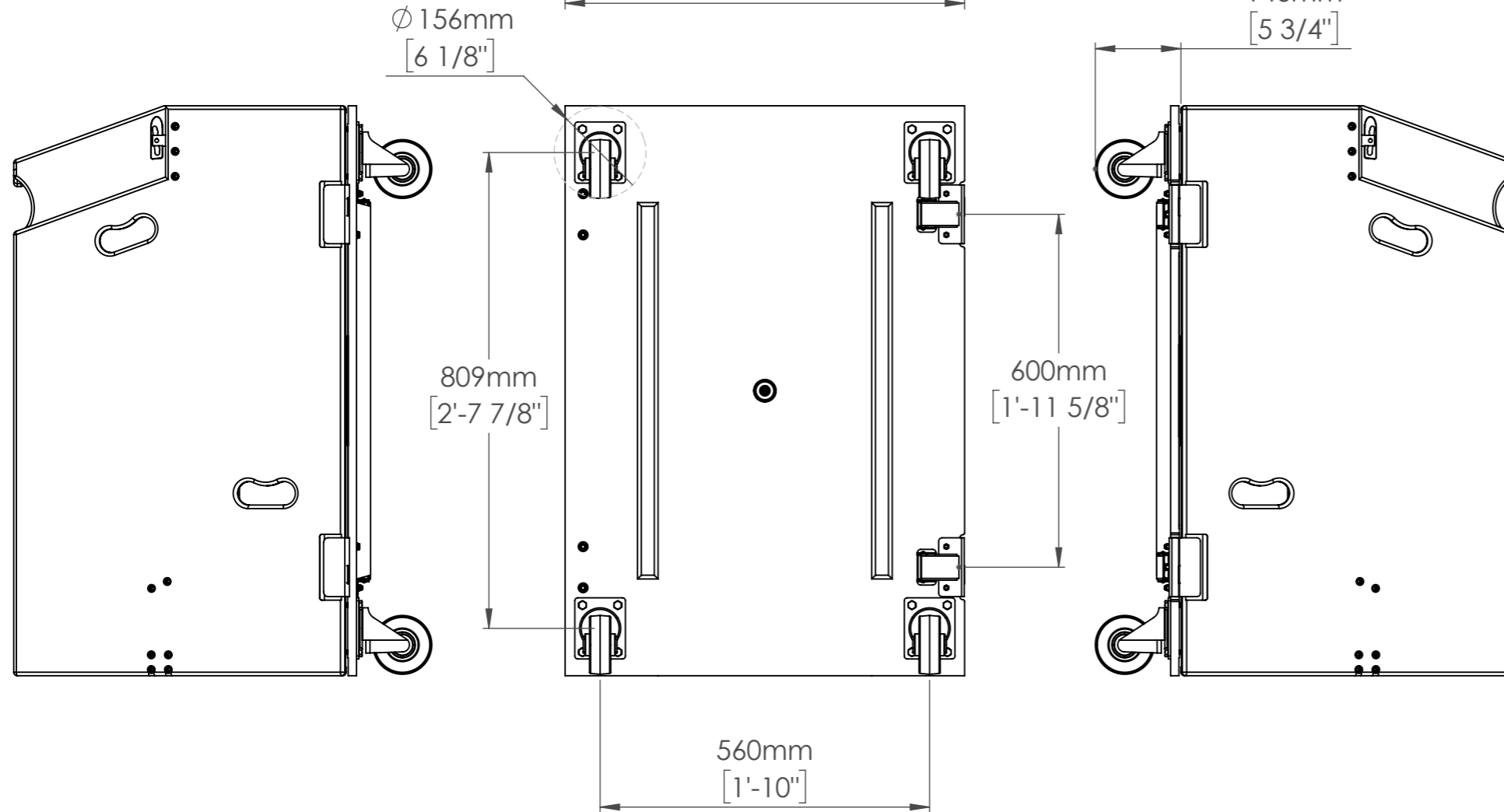
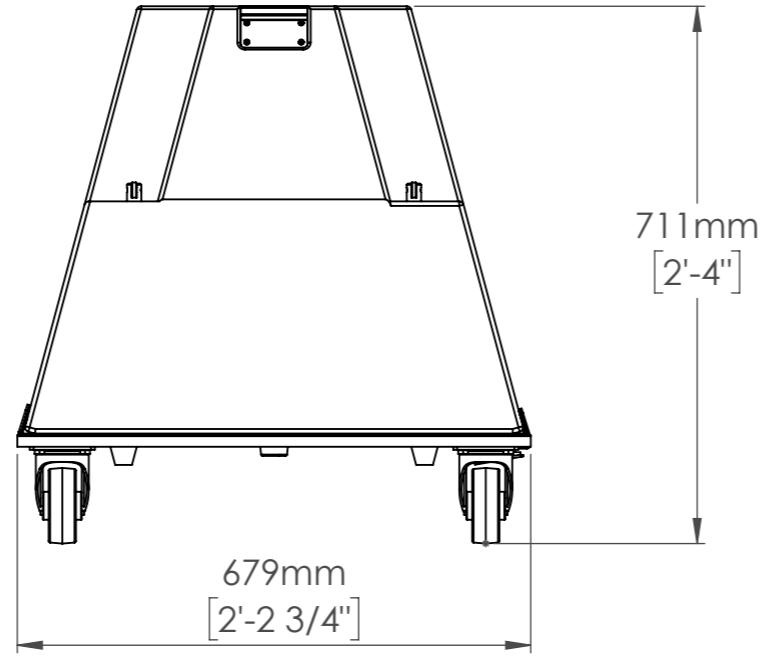
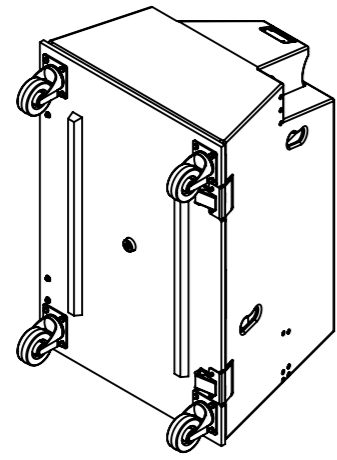
A3 Sheet Scale: 1:10

Drawn By: Mike Igglesden

22/06/2021

Filename:

Evo7T-F1-TD=T0150-00



Funktion-One Research LTD
 Hoyle, Beare Green, Dorking, Surrey, RH5 4PS, UK
 mail@funktion-one.com +44 (0)1306 712820

Sheet: Wheel board
 Funktion-One Product Technical Drawing

A3 Sheet Scale: 1:10

Drawn By: Mike Igglesden 22/06/2021

Filename:

Evo7T-F1-TD=T0150-00