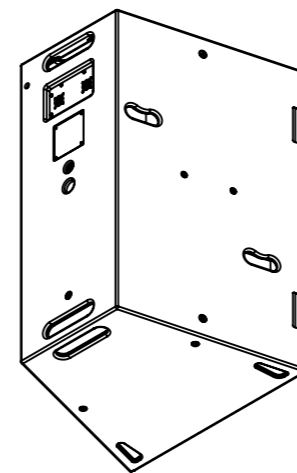
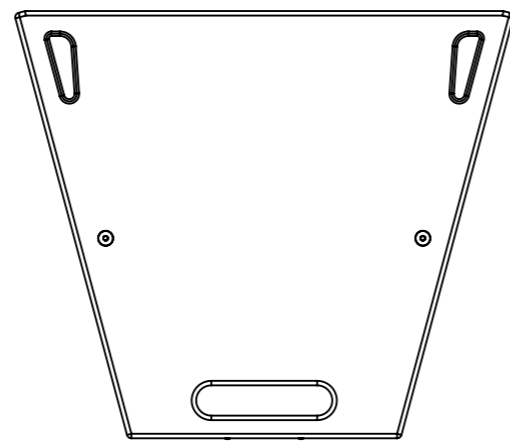
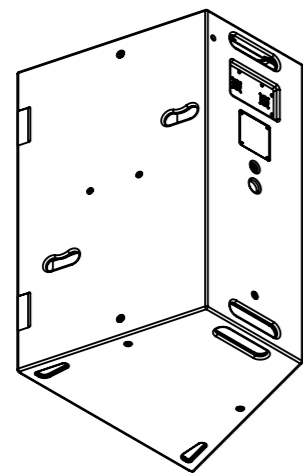
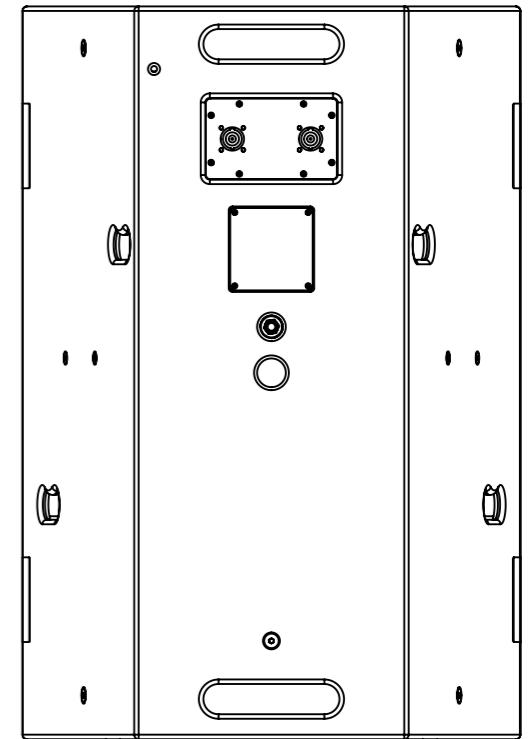
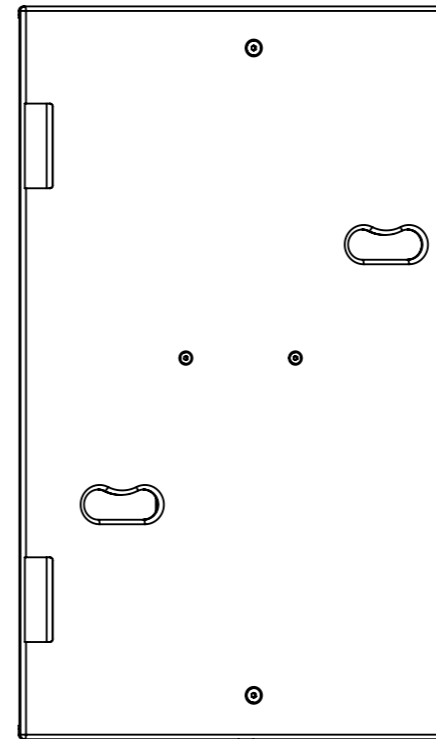
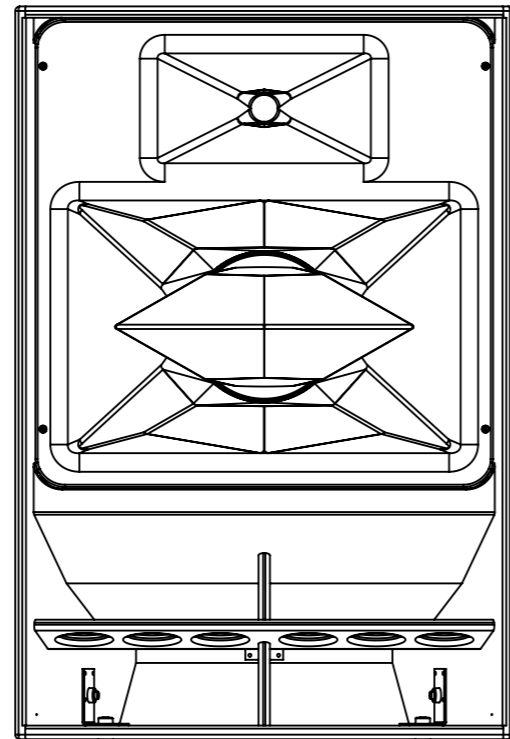
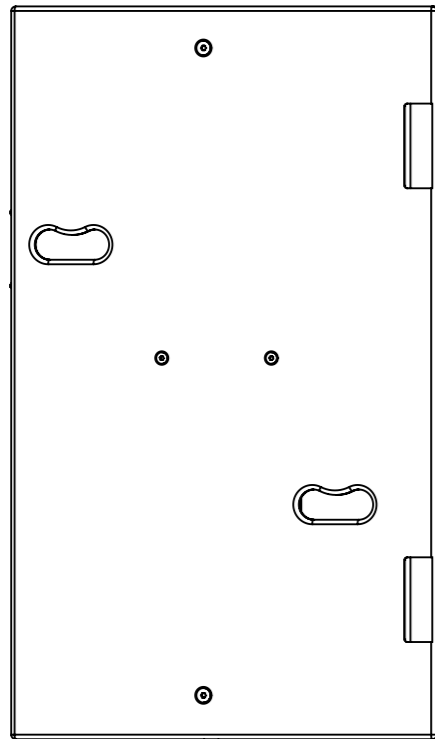
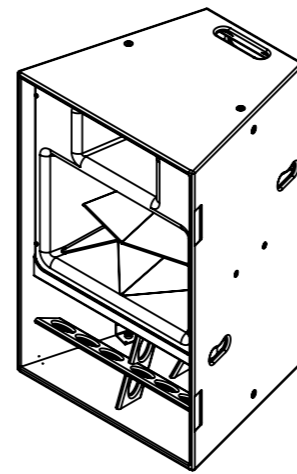
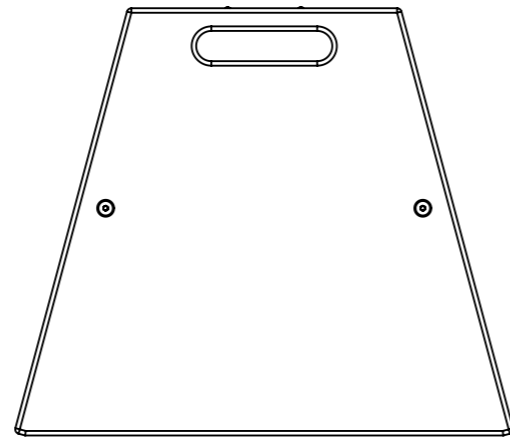
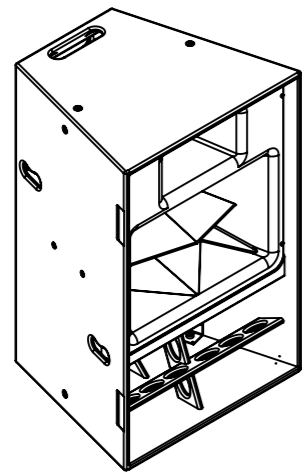


Funktion-One Research LTD
 Hoyle, Beare Green, Dorking, Surrey, RH5 4PS, UK
 mail@funktion-one.com +44 (0)1306 712820

Sheet: Dimensions
 Funktion-One Product Technical Drawing

A3 Sheet Scale: 1:10
 Filename:

Drawn By: Mike Igglesden 05/01/2022
 Evo7E-F1-TD=T0062-00



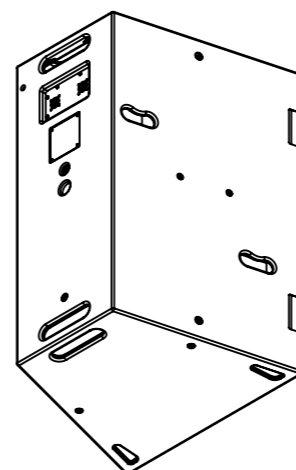
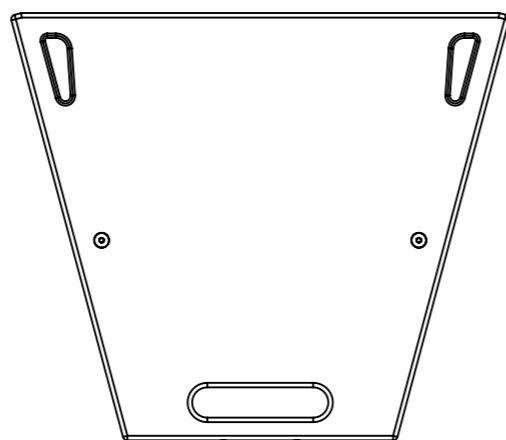
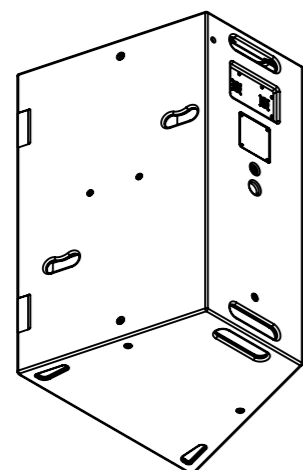
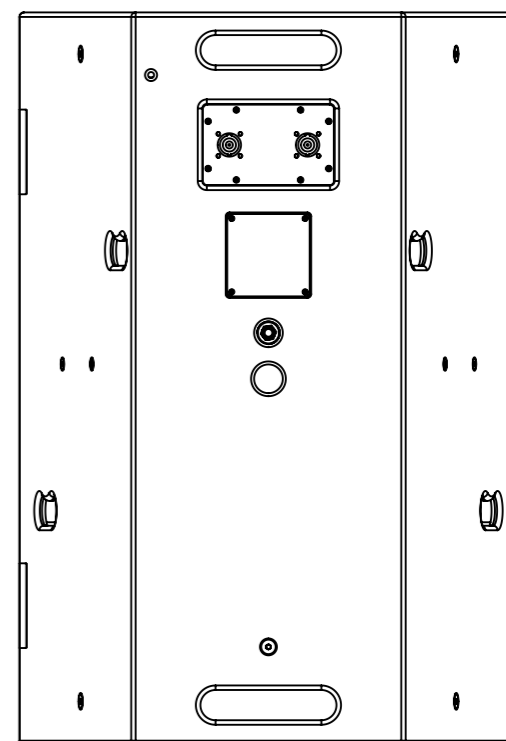
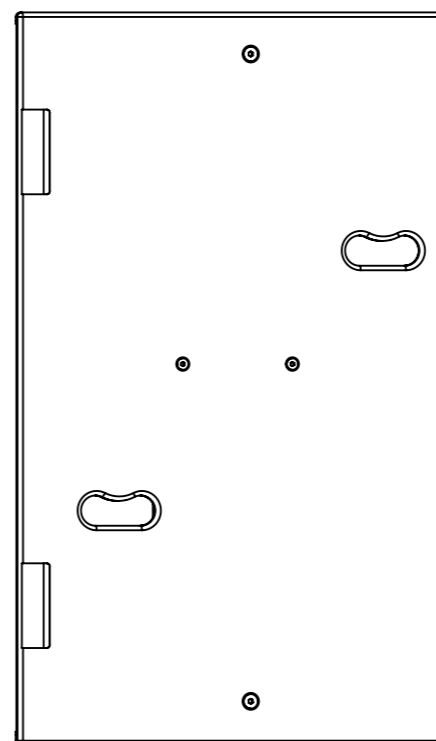
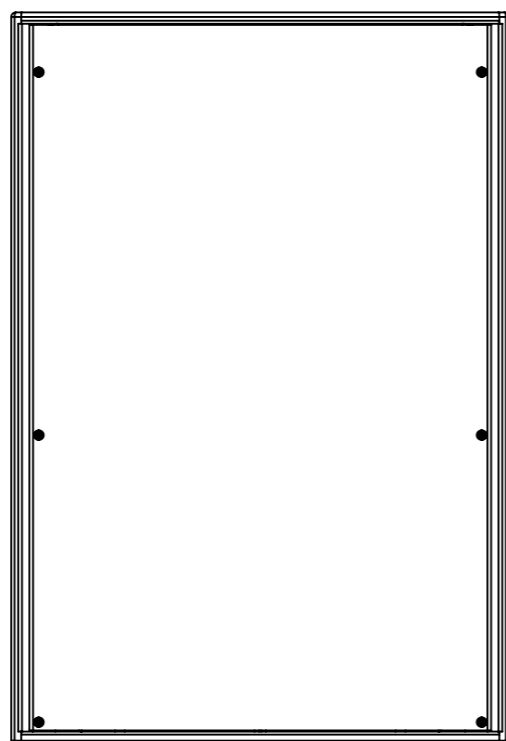
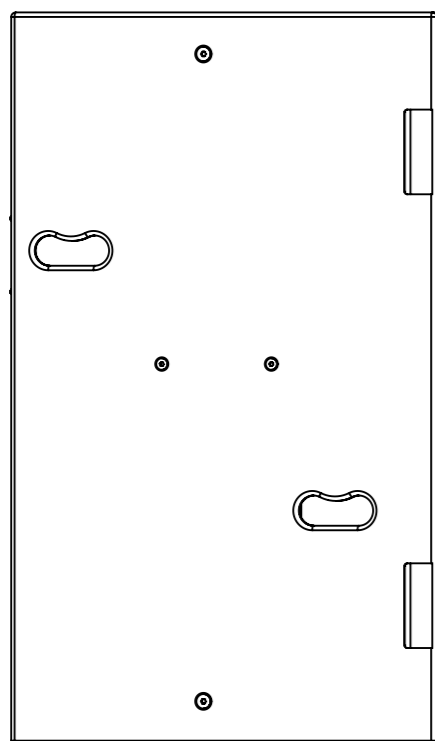
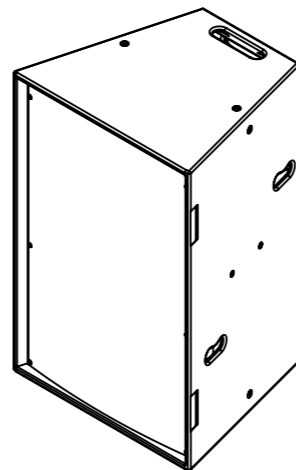
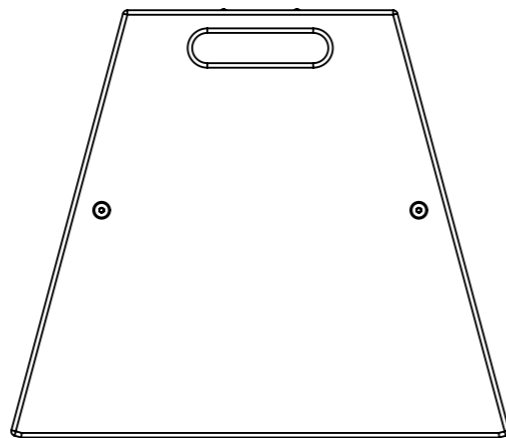
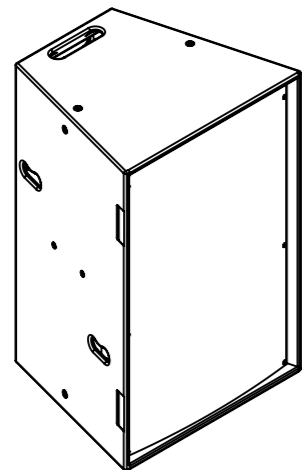
Funktion-One Research LTD
 Hoyle, Beare Green, Dorking, Surrey, RH5 4PS, UK
 mail@funktion-one.com +44 (0)1306 712820

Sheet: Standard
 Funktion-One Product Technical Drawing

A3 Sheet Scale: 1:10
 Filename:

Drawn By: Mike Igglesden 05/01/2022

Evo7E-F1-TD=T0062-00



Funktion-One Research LTD
 Hoyle, Beare Green, Dorking, Surrey, RH5 4PS, UK
 mail@funktion-one.com +44 (0)1306 712820

Sheet: Grille
 Funktion-One Product Technical Drawing

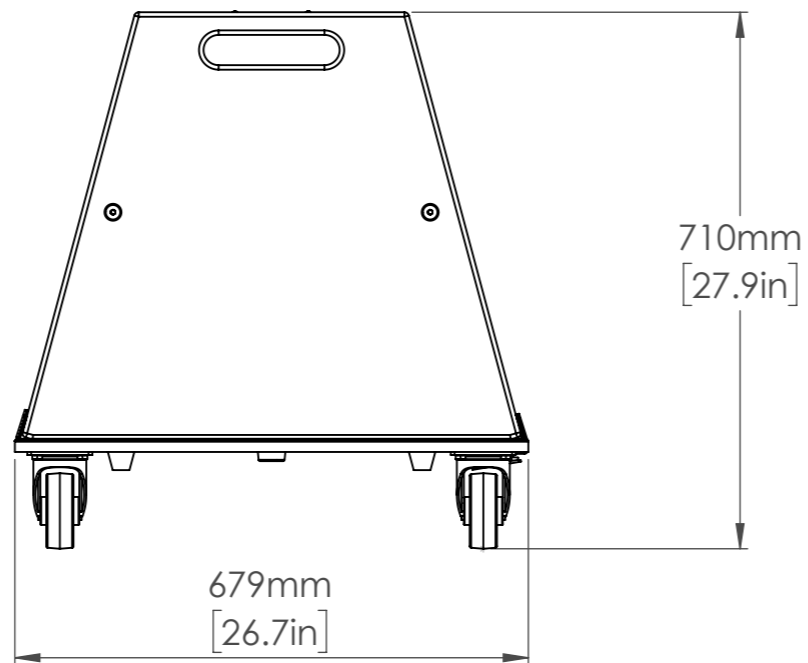
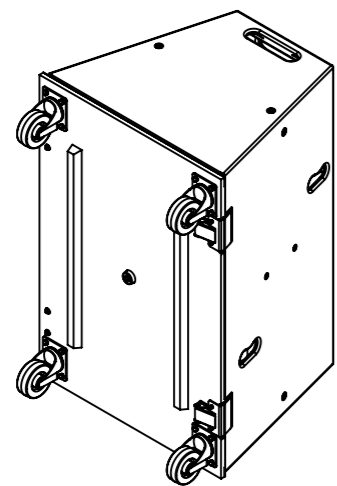
A3 Sheet Scale: 1:10

Filename:

Drawn By: Mike Igglesden

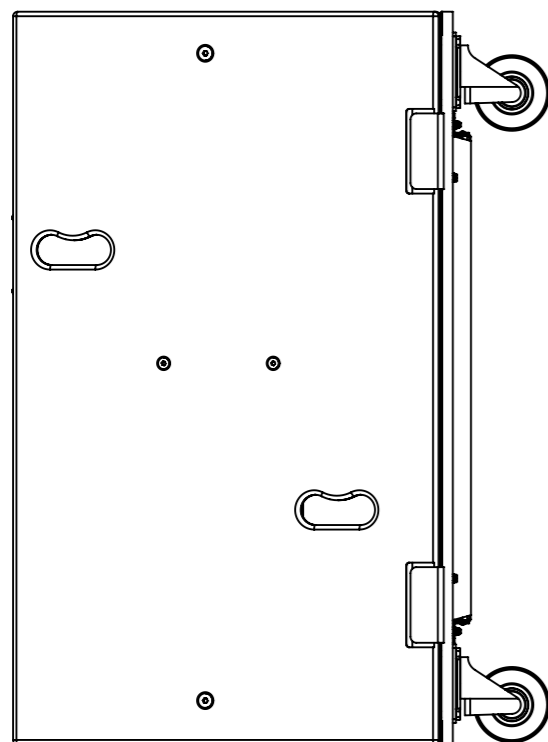
05/01/2022

Evo7E-F1-TD=T0062-00



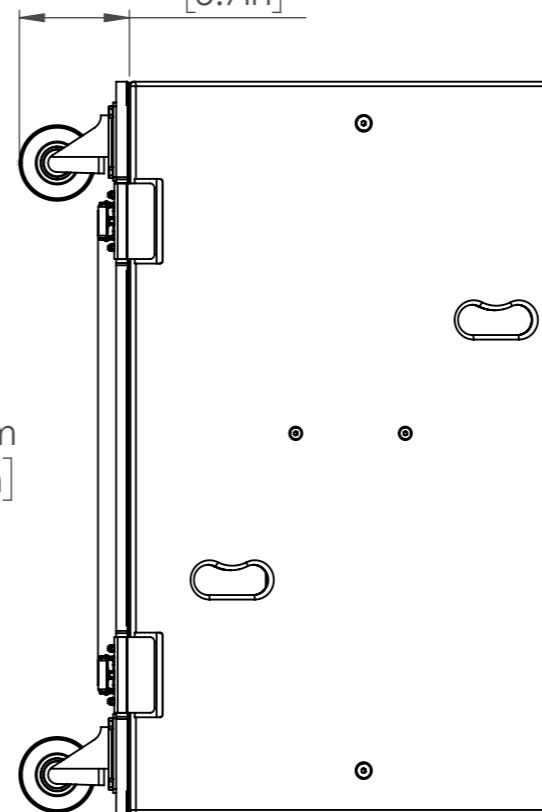
Ø 156mm
[6.1in]

146mm
[5.7in]



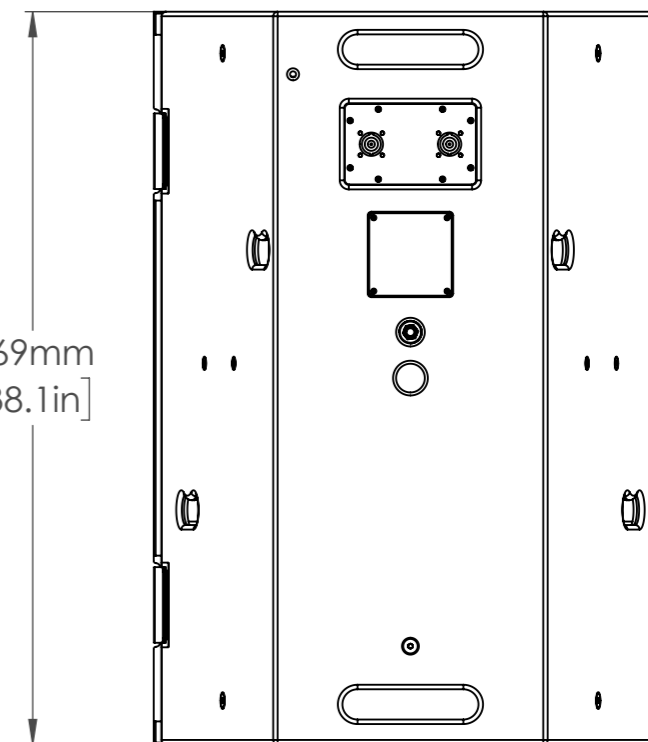
809mm
[31.9in]

600mm
[23.6in]



969mm
[38.1in]

560mm
[22.0in]



Funktion-One Research LTD
Hoyle, Beare Green, Dorking, Surrey, RH5 4PS, UK
mail@funktion-one.com +44 (0)1306 712820

Sheet: Wheel Board
Funktion-One Product Technical Drawing

A3 Sheet Scale: 1:10
Filename:

Drawn By: Mike Igglesden 05/01/2022

Evo7E-F1-TD=T0062-00