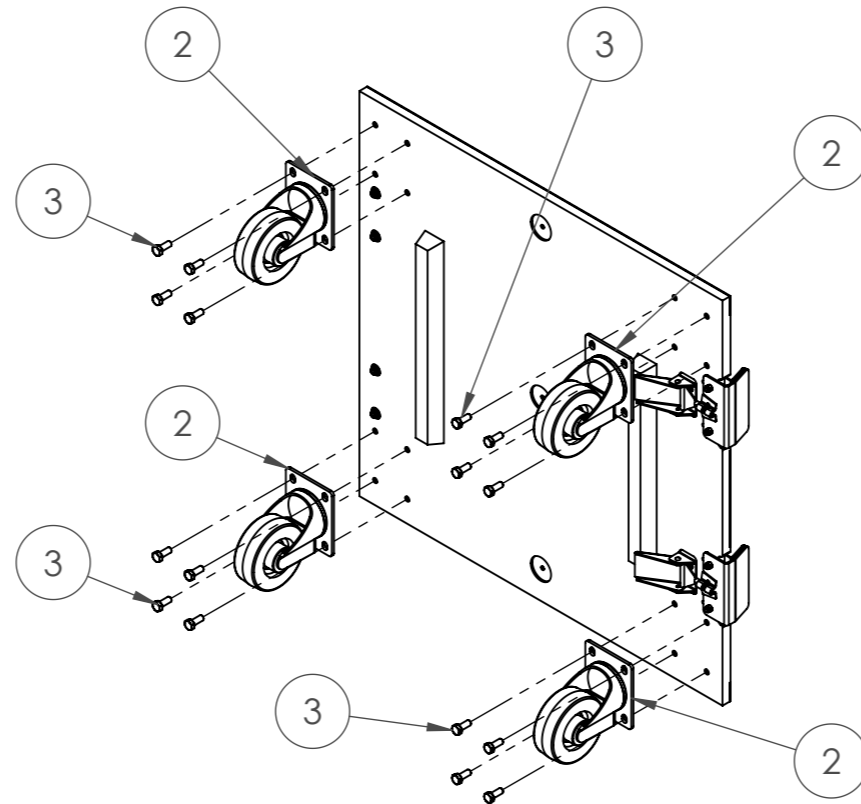
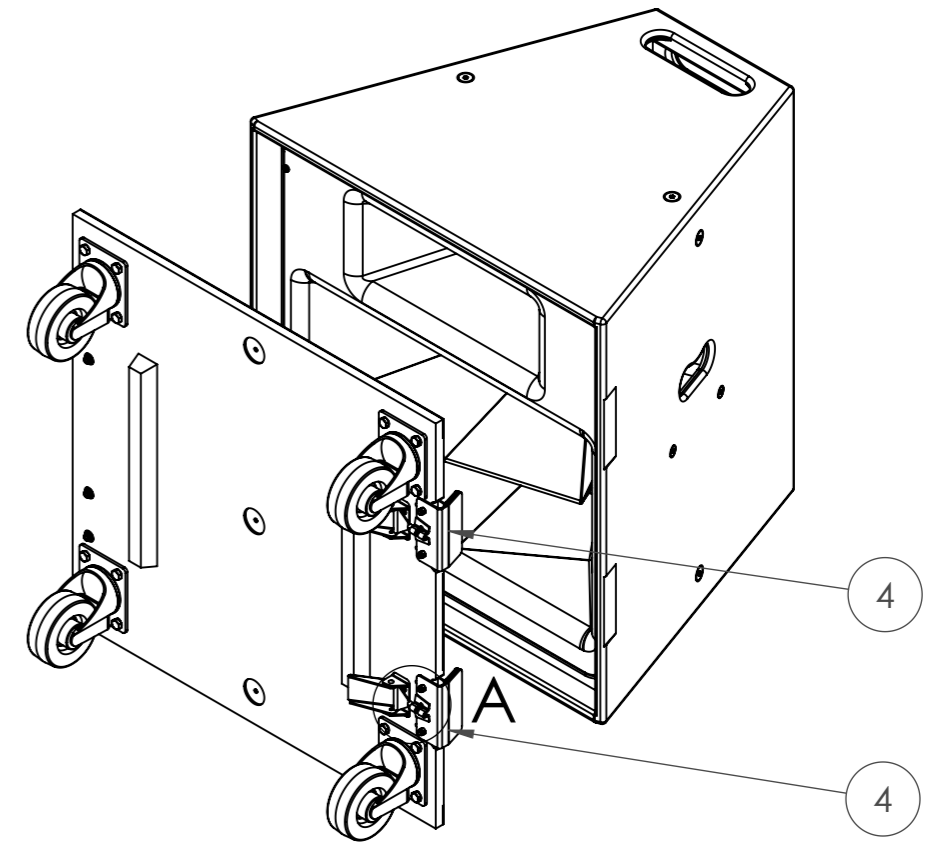


Evo6EH with wheel board fitted.
No pucks fitted as should not be stacked.



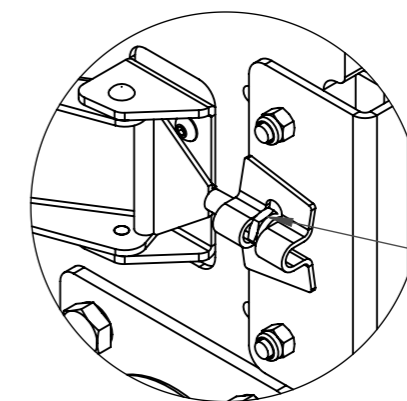
Evo6EH packed with wheel board, but without wheels fitted. Each wheel requires 4 x M8 x 20mm hex bolts (13mm) (supplied). We suggest using a contact adhesive on the bolt thread to secure bolts.



The two over centre latches clamp onto the Evo6EH cabinet in their side recesses. To fit wheel board, sit the cabinet on its bottom face as above, hook onto the cabinet on the fixed clamp side first, then, with the over centre latches open, swing the board onto the front face and close the latches. Should the latches become loose, tighten the M6 (10mm) nut.

ITEM	DESCRIPTION	QUANTITY
1	EVOLUTION 6EH WHEEL BOARD	1
2	4" CASTOR WHEEL	4
3	M8 X 20mm HEX BOLT	16
4	OVER CENTR LATCH*	2

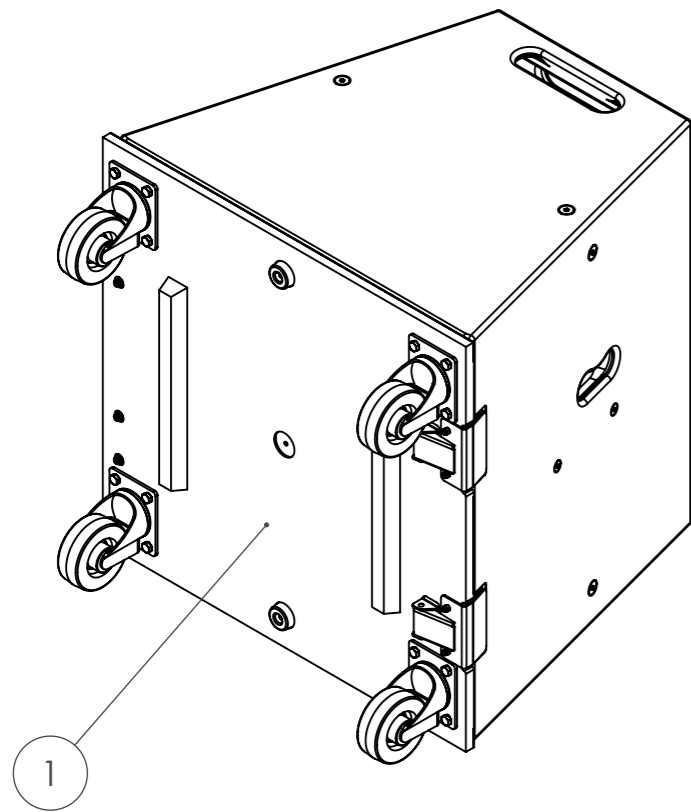
* Fitted to wheel board



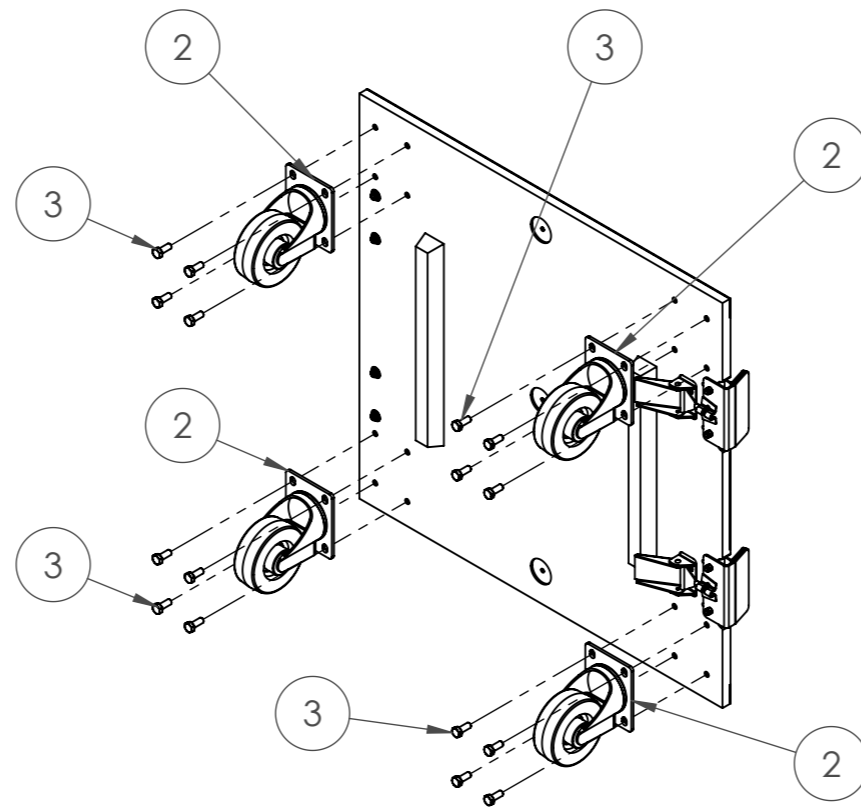
DETAIL A

SCALE 1 : 2

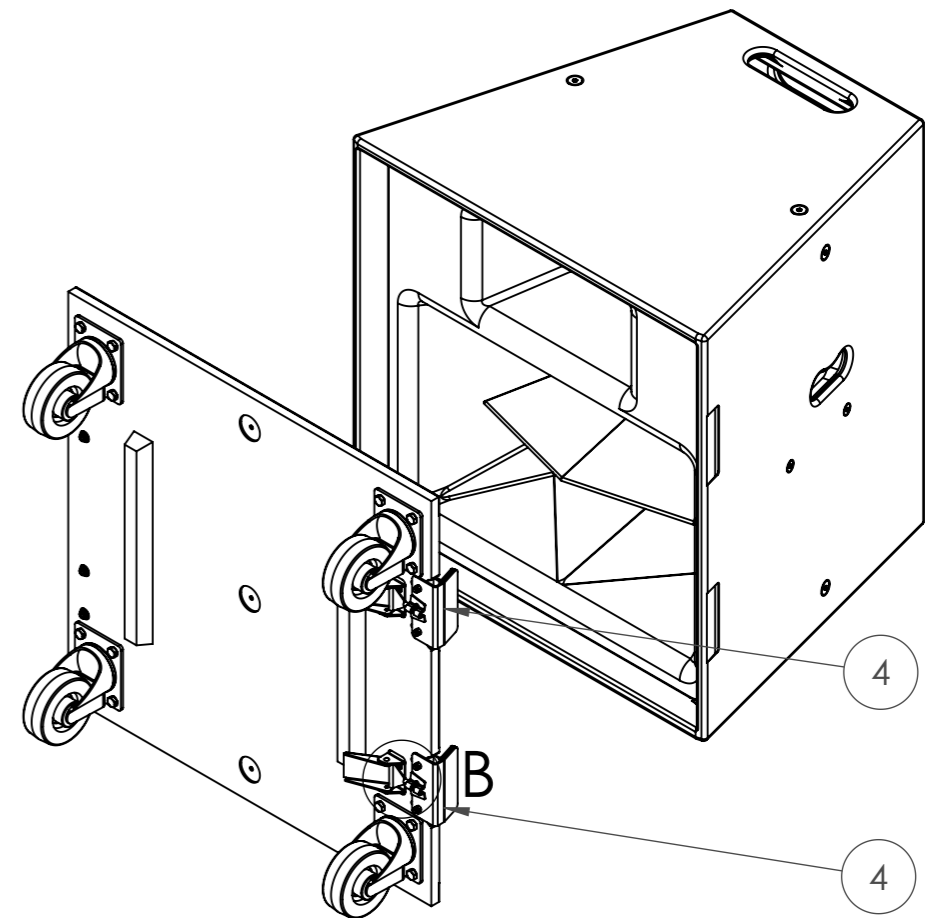
Adjustment nut



Evo7EH with wheel board fitted.
Two pucks fitted for located stacking



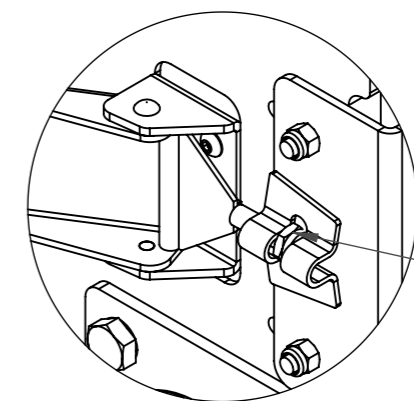
Evo7EH packed with wheel board, but without wheels fitted. Each wheel requires 4 x M8 x 20mm hex bolts (13mm) (supplied). We suggest using a contact adhesive on the bolt thread to secure bolts.



The two over centre latches clamp onto the Evo7EH cabinet in their side recesses. To fit wheel board, sit the cabinet on its bottom face as above, hook onto the cabinet on the fixed clamp side first, then, with the over centre latches open, swing the board onto the front face and close the latches. Should the latches become loose, tighten the M6 (10mm) nut.

ITEM	DESCRIPTION	QUANTITY
1	EVOLUTION 7EH WHEEL BOARD	1
2	4" CASTOR WHEEL	4
3	M8 X 20mm HEX BOLT	16
4	OVER CENTR LATCH	2

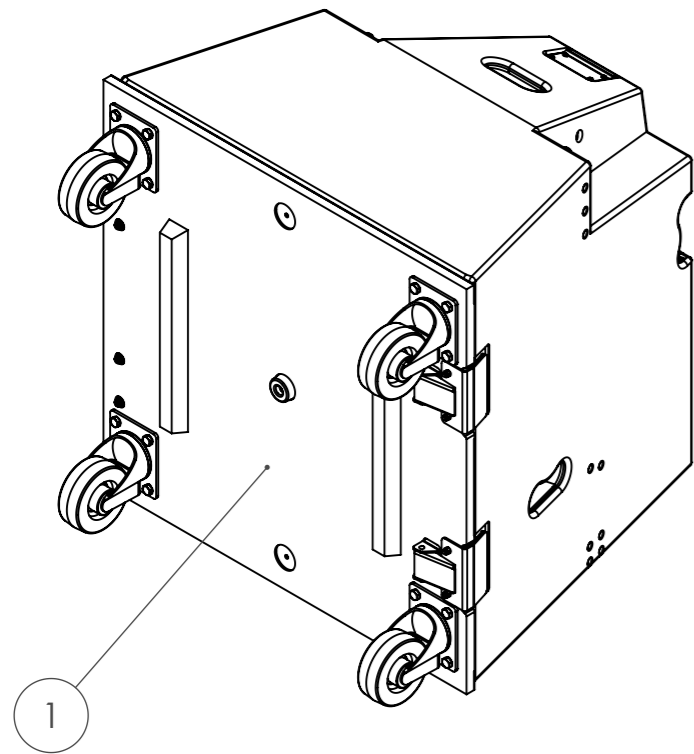
* Fitted to wheel board



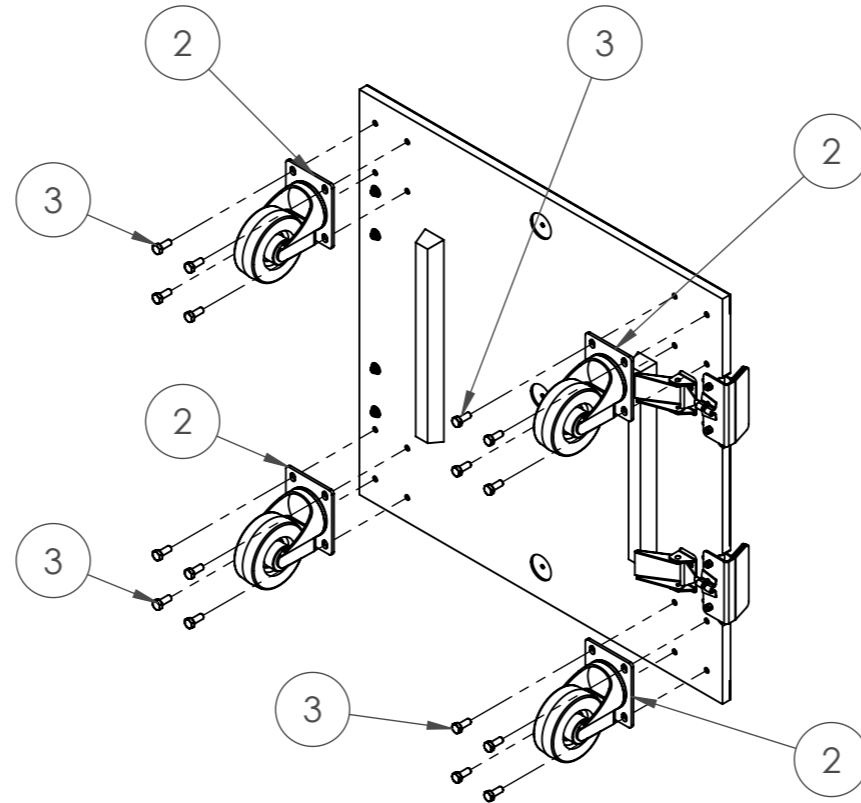
DETAIL B

SCALE 1 : 2

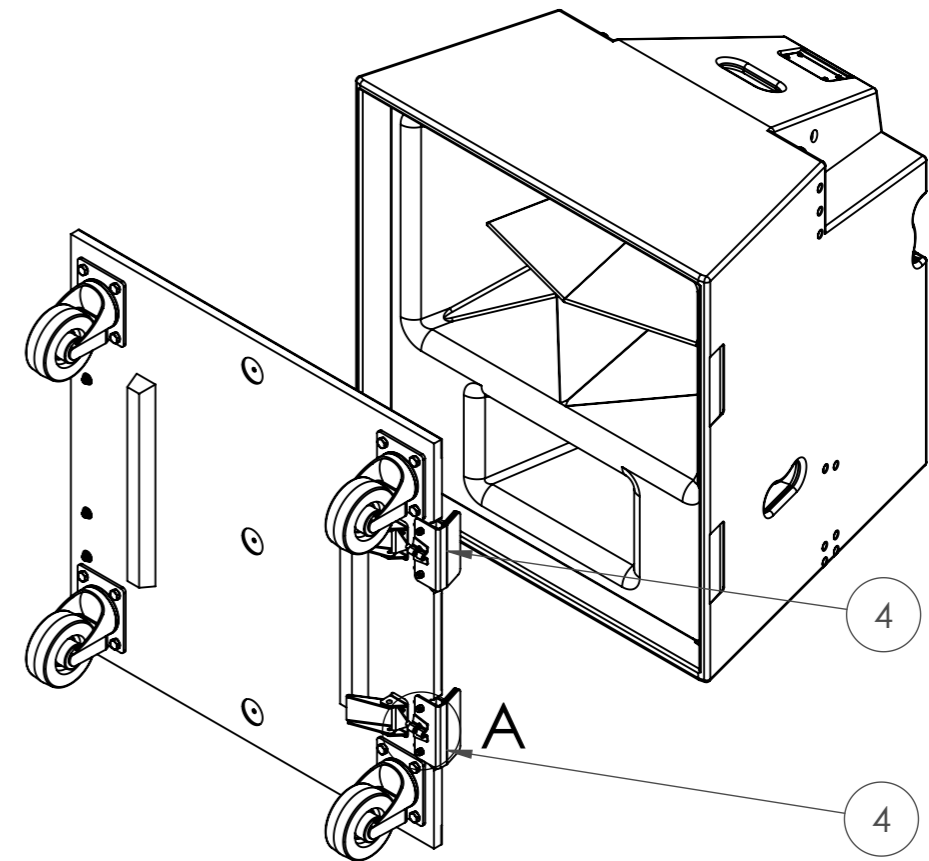
Adjustment nut



Evo7TH with wheel board fitted.
One puck fitted for located stacking.



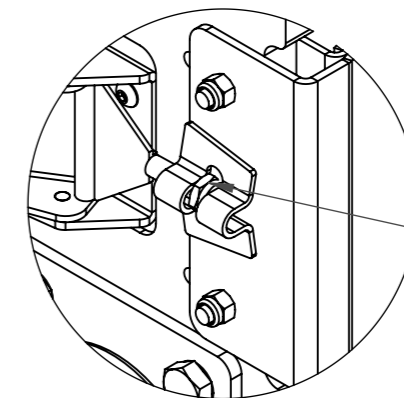
Evo7TH packed with wheel board, but without wheels fitted. Each wheel requires 4 x M8 x 20mm hex bolts (13mm) (supplied). We suggest using a contact adhesive on the bolt thread to secure bolts.



The two over centre latches clamp onto the Evo7TH cabinet in their side recesses. To fit wheel board, sit the cabinet on its bottom face as above, hook onto the cabinet on the fixed clamp side first, then, with the over centre latches open, swing the board onto the front face and close the latches. Should the latches become loose, tighten the M6 (10mm) nut.

ITEM	DESCRIPTION	QUANTITY
1	EVOLUTION 7TH WHEEL BOARD	1
2	4" CASTOR WHEEL	4
3	M8 X 20mm HEX BOLT	16
4	OVER CENTR LATCH	2

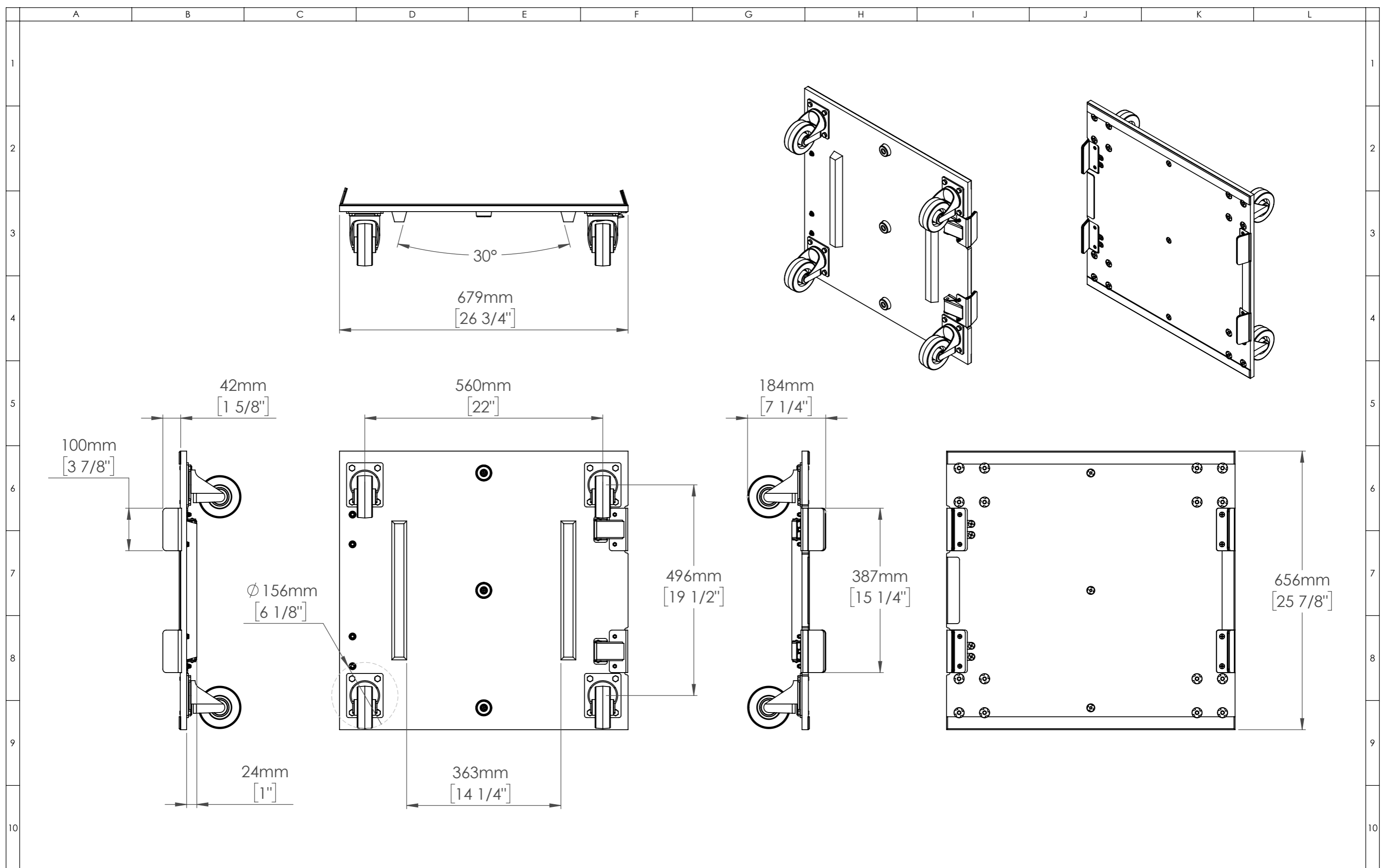
* Fitted to wheel board



DETAIL A

SCALE 1 : 2

Adjustment nut



Funktion-One Research LTD
 Hoyle, Beare Green, Dorking, Surrey, RH5 4PS, UK
 mail@funktion-one.com +44 (0)1306 712820

Sheet: Technical drawing
 Funktion-One Accessory Drawing

A3 Sheet Scale: 1:8
 Filename:

Drawn By: Mike Igglesden 22/05/2023
WB-E67H-F1-AD=T0010-01