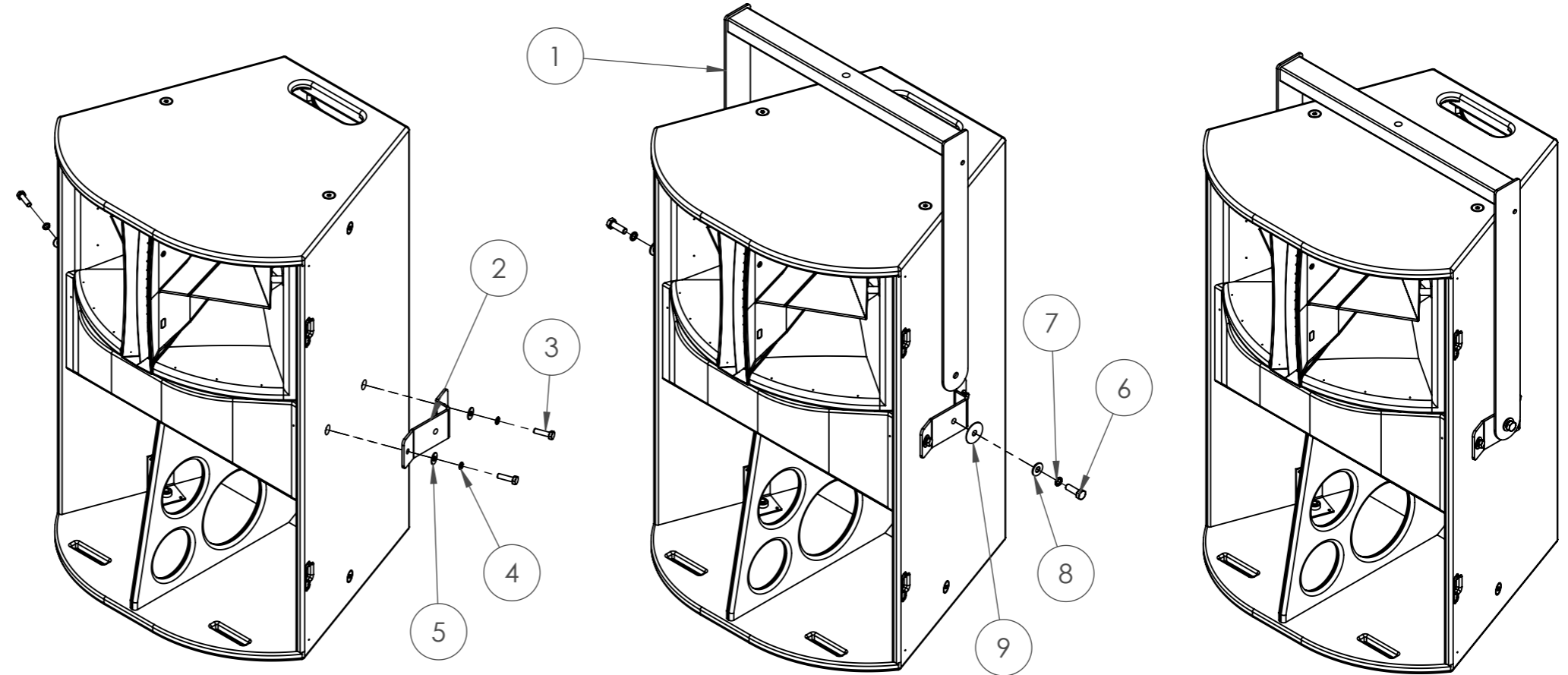
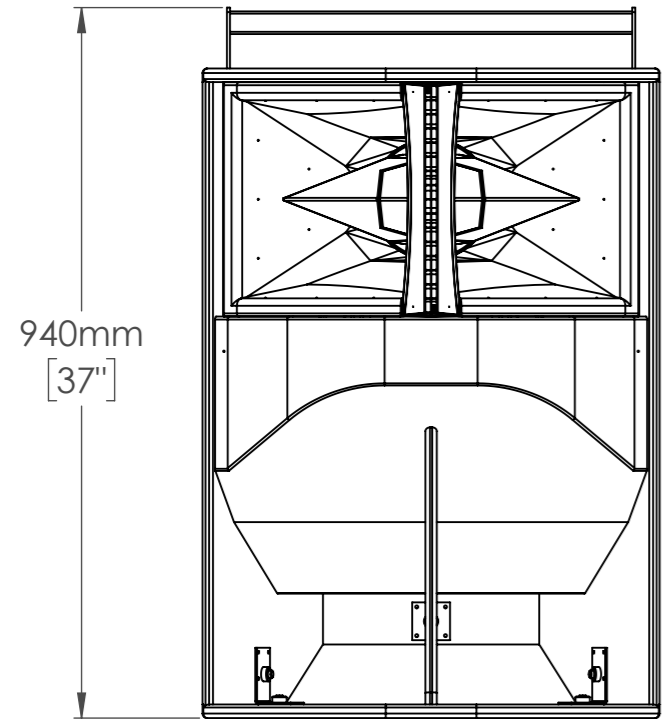


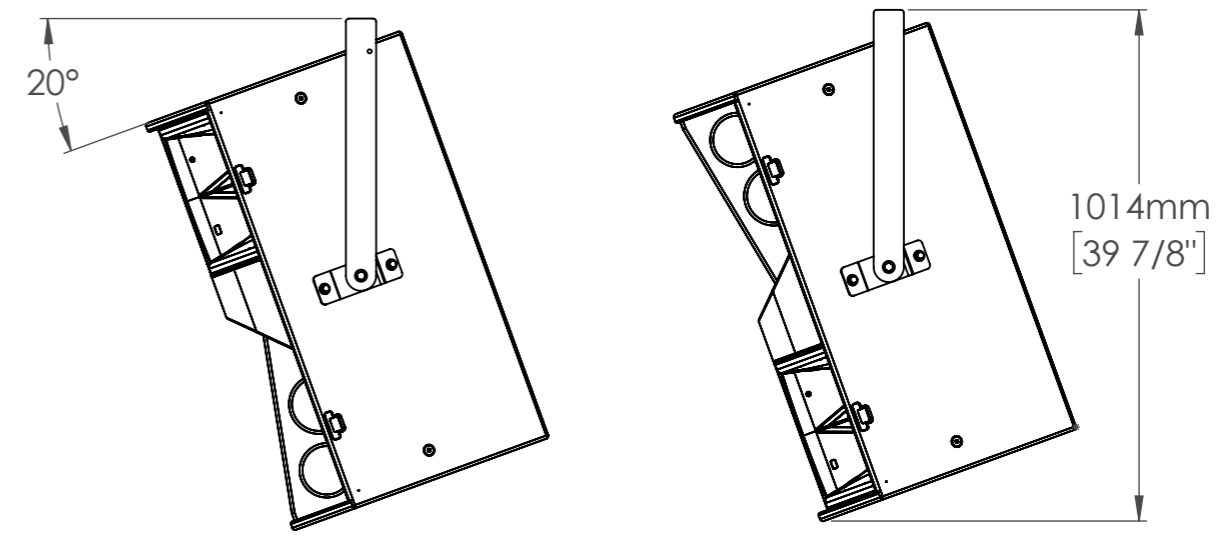
Ø13mm  
[1/2"]



To mount the squaring brackets, remove the 4 x M8 blanking bolts on the cabinet. Fit the brackets with 2 x M8 x 30mm Hex Bolts, split washer & C-form washer per bracket. Keep the blanking bolts as these are required to seal the cabinet should you remove the brackets.

The yoke fits to the brackets with 1 x M10 x 30mm hex bolt, 1 x split washer and 1 x C-form washer per side. The nitrile washer fits between the yoke and the bracket.

Thread in the M10 bolts, adjust to required angle and then tighten to secure. M12 fixings and additional safety line recommended for attaching yoke to the correct rigging hardware.



Maximum possible downward tilt is 20°. Often optimum installation is with the cabinet upside down with the bottom of the cabinet at 2.2 - 2.4m. Yoke does not pass all the way round the back. Remove and reattach the yoke only to change orientation.

ITEM	DESCRIPTION	QUANTITY
1	EVOX YOKE	1
2	20 DEGREE SQUARING BRACKET WITH M10 BUSH	2
3	M8 X 30mm HEX BOLT	4
4	M8 SPLIT WASHER	4
5	M8 C-FORM WASHER	4
6	M10 X 30mm HEX BOLT	2
7	M10 SPLIT WASHER	2
8	M10 C-FORM WASHER	2
9	M10 NITRILE WASHER	2

Funktion-One Research LTD  
Hoyle, Beare Green, Dorking, Surrey, RH5 4PS, UK  
mail@funktion-one.com +44 (0)1306 712820

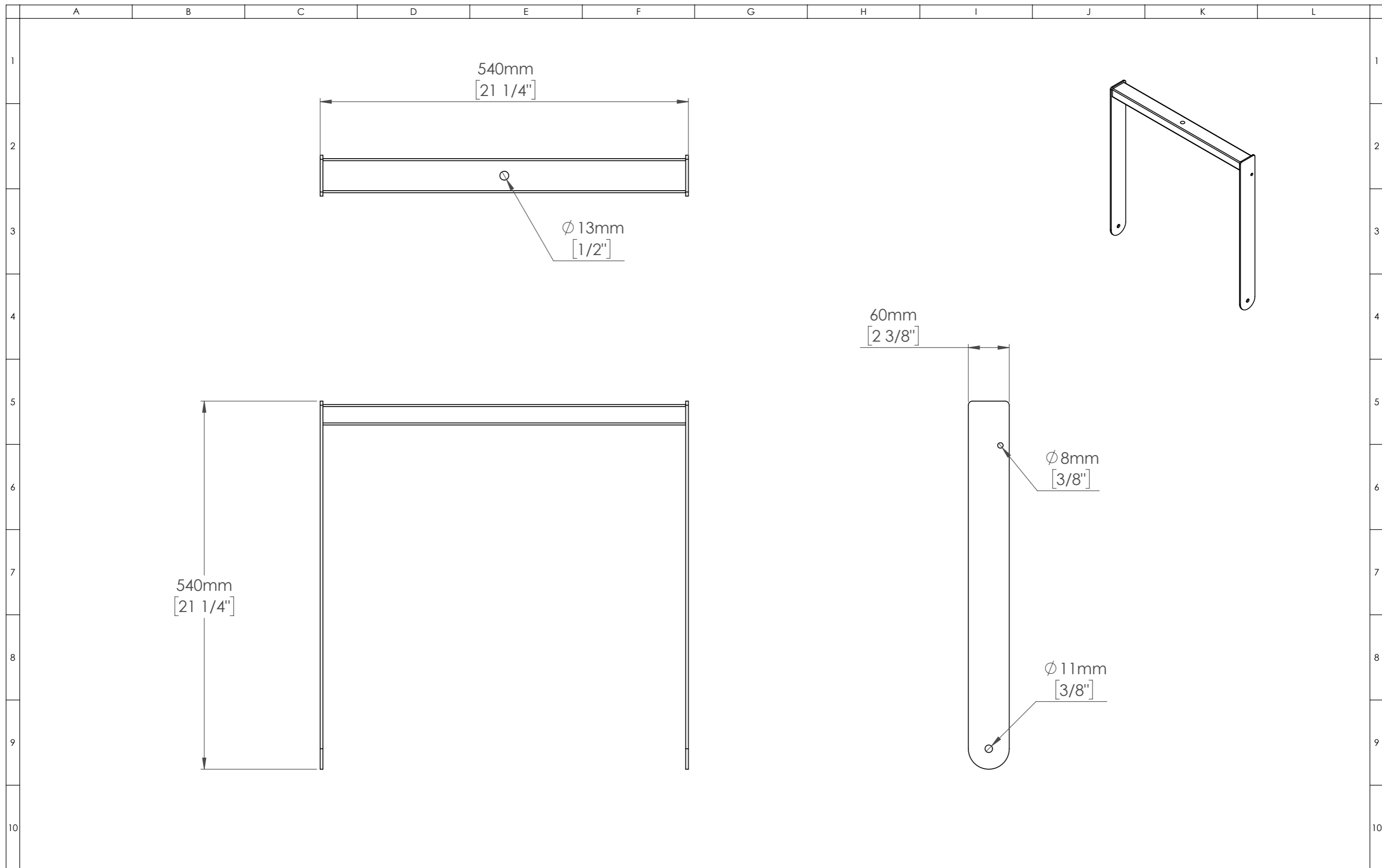
Sheet:Detail Drawing  
Funktion-One Accessory Drawing

A3 Sheet Scale: 1:10

Drawn By: Mike Igglesden 23/08/2021

Filename:

YK-SEX-F1-AD=T0006-00



Funktion-One Research LTD  
 Hoyle, Beare Green, Dorking, Surrey, RH5 4PS, UK  
 mail@funktion-one.com +44 (0)1306 712820

Sheet: Yoke Technical Drawing

Funktion-One Accessory Drawing

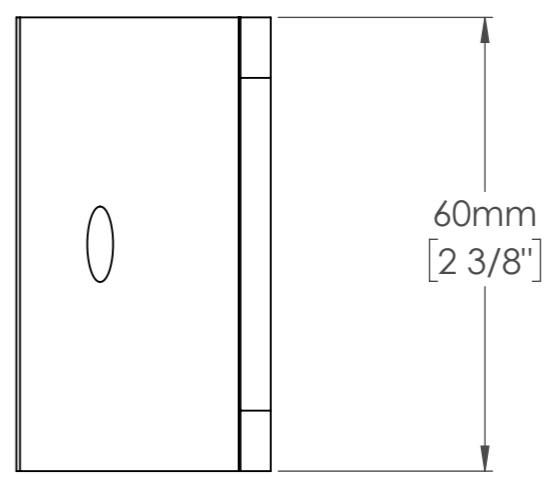
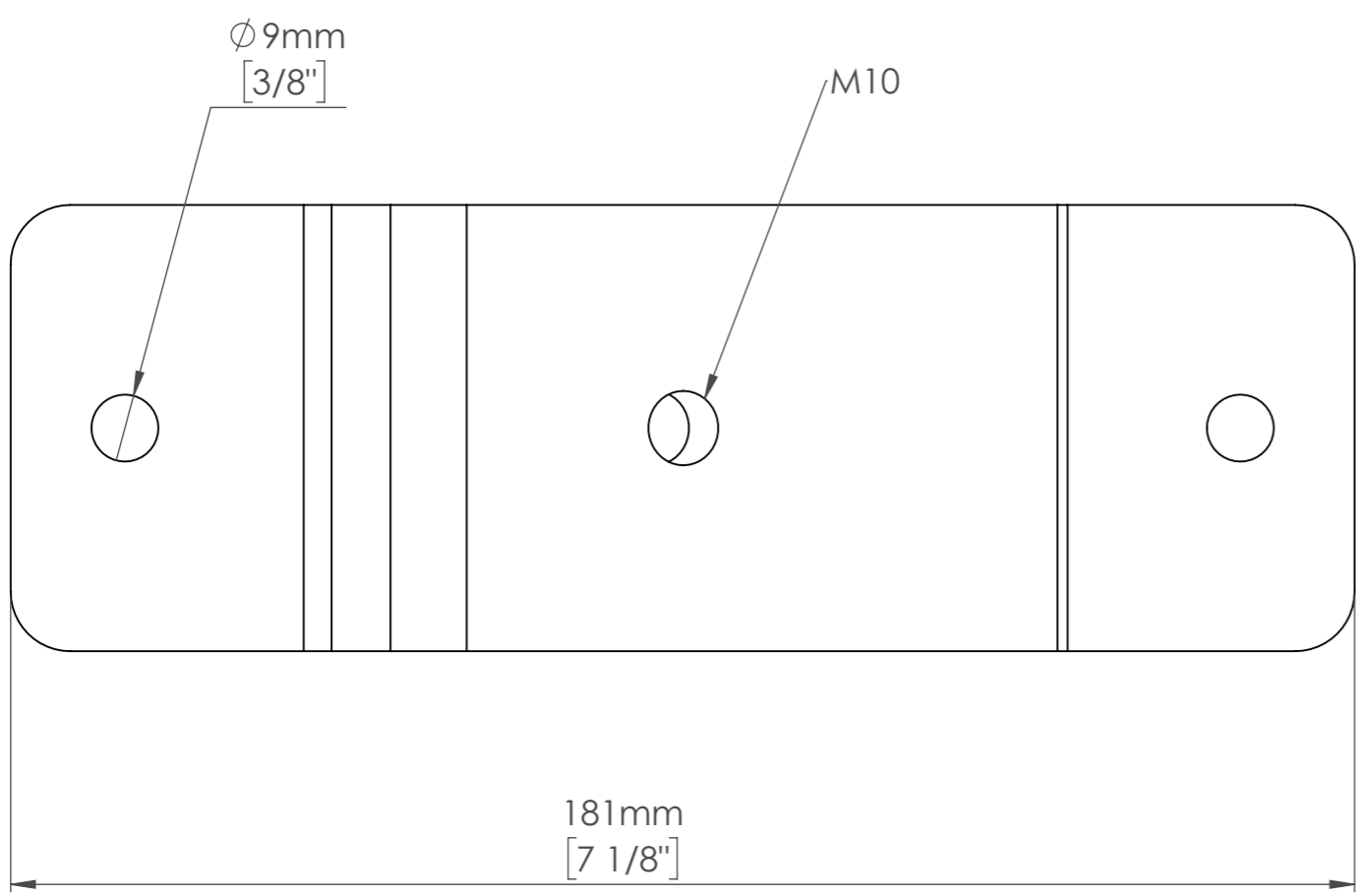
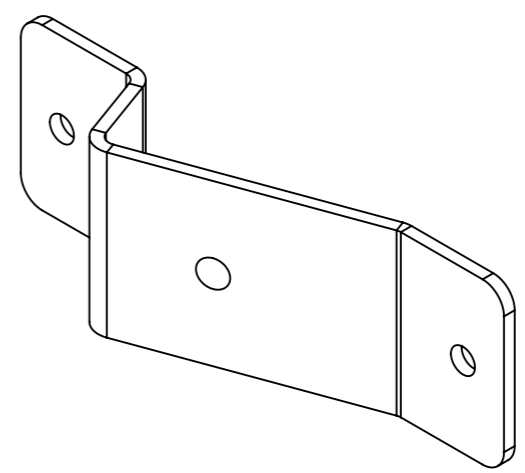
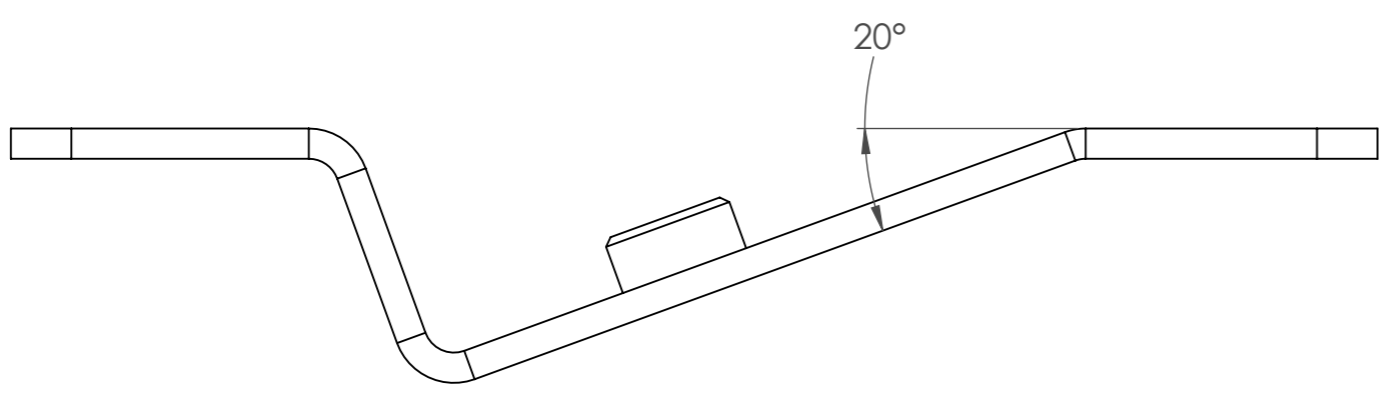
A3 Sheet Scale: 1:5

Filename:

Drawn By: Mike Igglesden

23/08/2021

**YK-SEX-F1-AD=T0006-00**



**Funktion-One Research LTD**  
 Hoyle, Beare Green, Dorking, Surrey, RH5 4PS, UK  
 mail@funktion-one.com +44 (0)1306 712820

Sheet: Square Bracket Technical Drawi  
 Funktion-One Accessory Drawing

A3 Sheet Scale: 1:1  
 Filename:

Drawn By: Mike Igglesden 23/08/2021  
**YK-SEX-F1-AD=T0006-00**