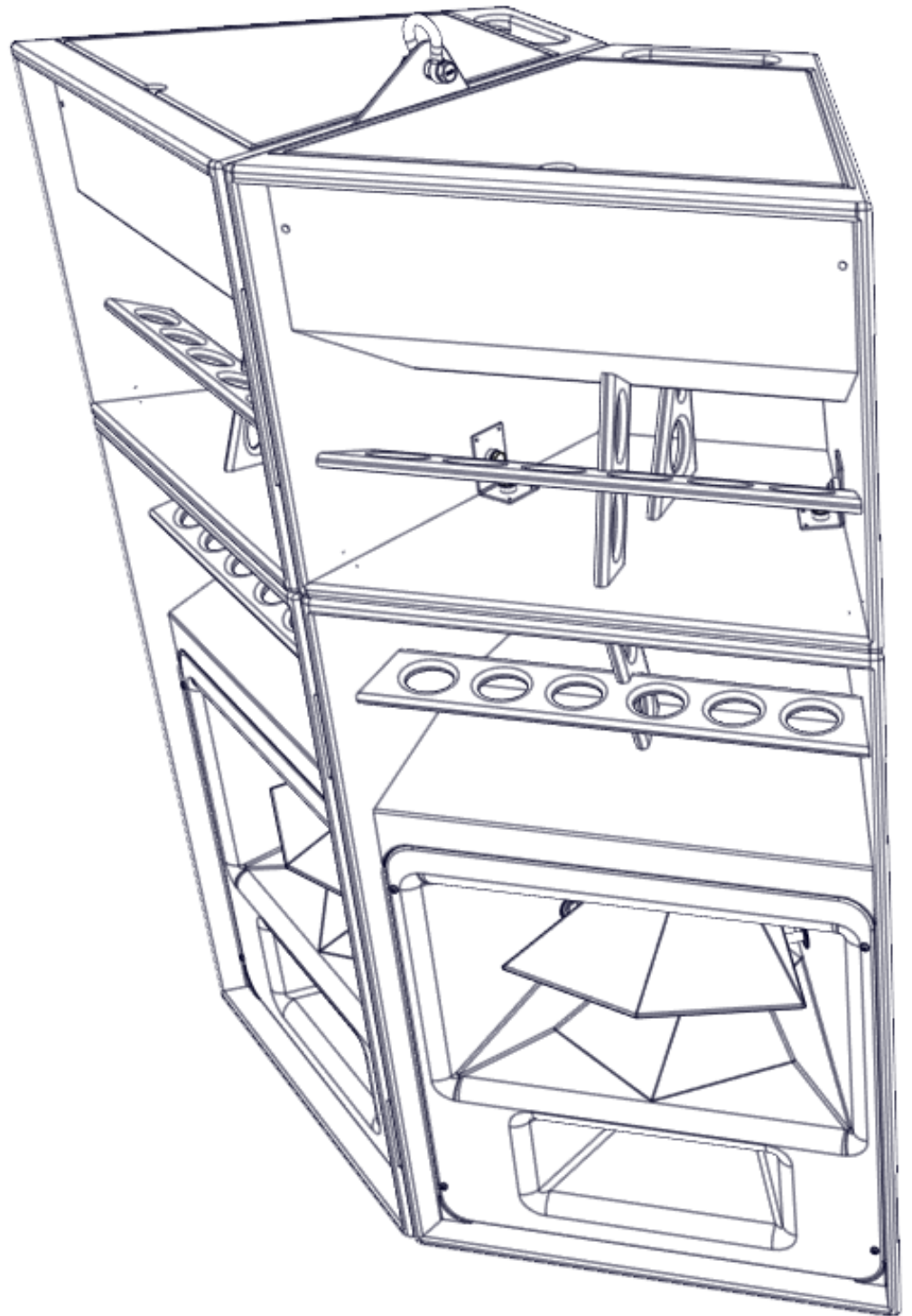


# Evo6E + Evo6EL Central Flyplate Guide.



# Evo6E + Evo6EL Central Flyplate Guide.

**You will need:**

**2x Evo6E**

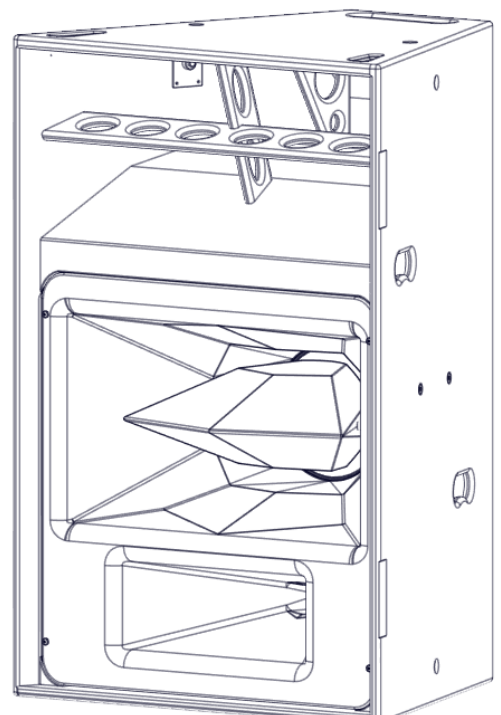
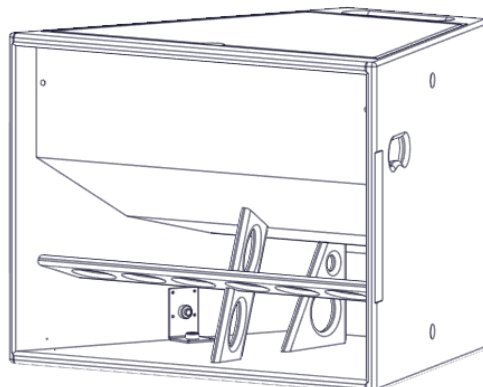
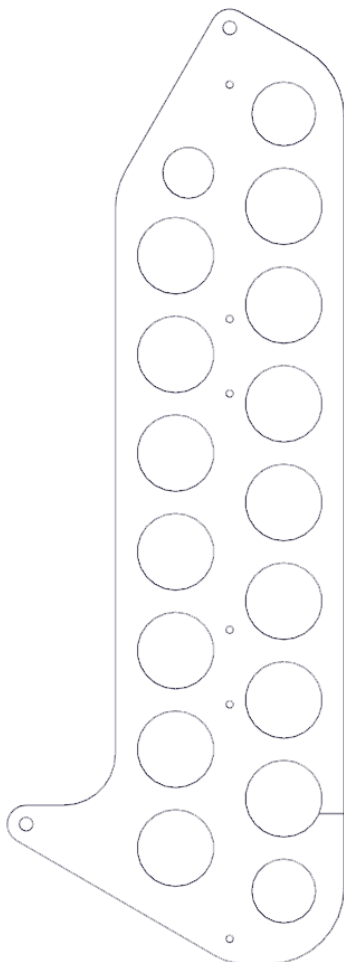
**2x Evo6EL**

**1x Evo6E+Evo6EL Flyplate**

**8x Custom Bolt**

**17mm Ratchet Spanner**

**Pozi-2 Screwdriver**

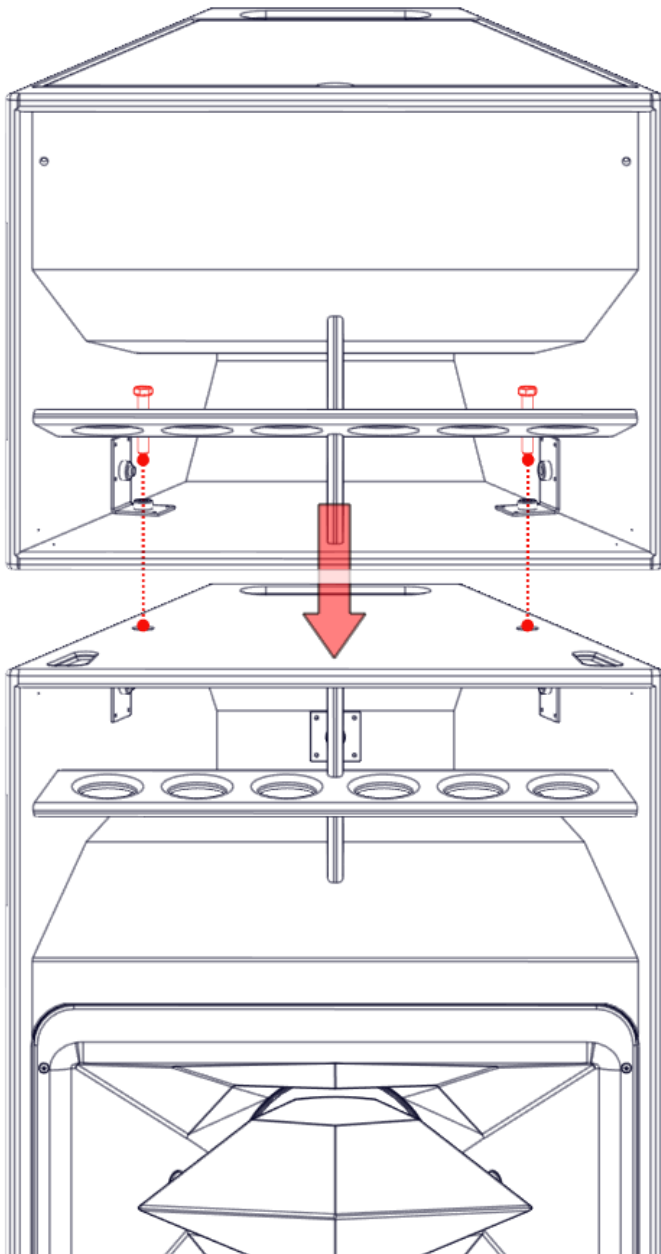


# Evo6E + Evo6EL Central Flyplate Guide.

## Step 1.

Place 1x Evo6E on the ground with the 15" at the top.

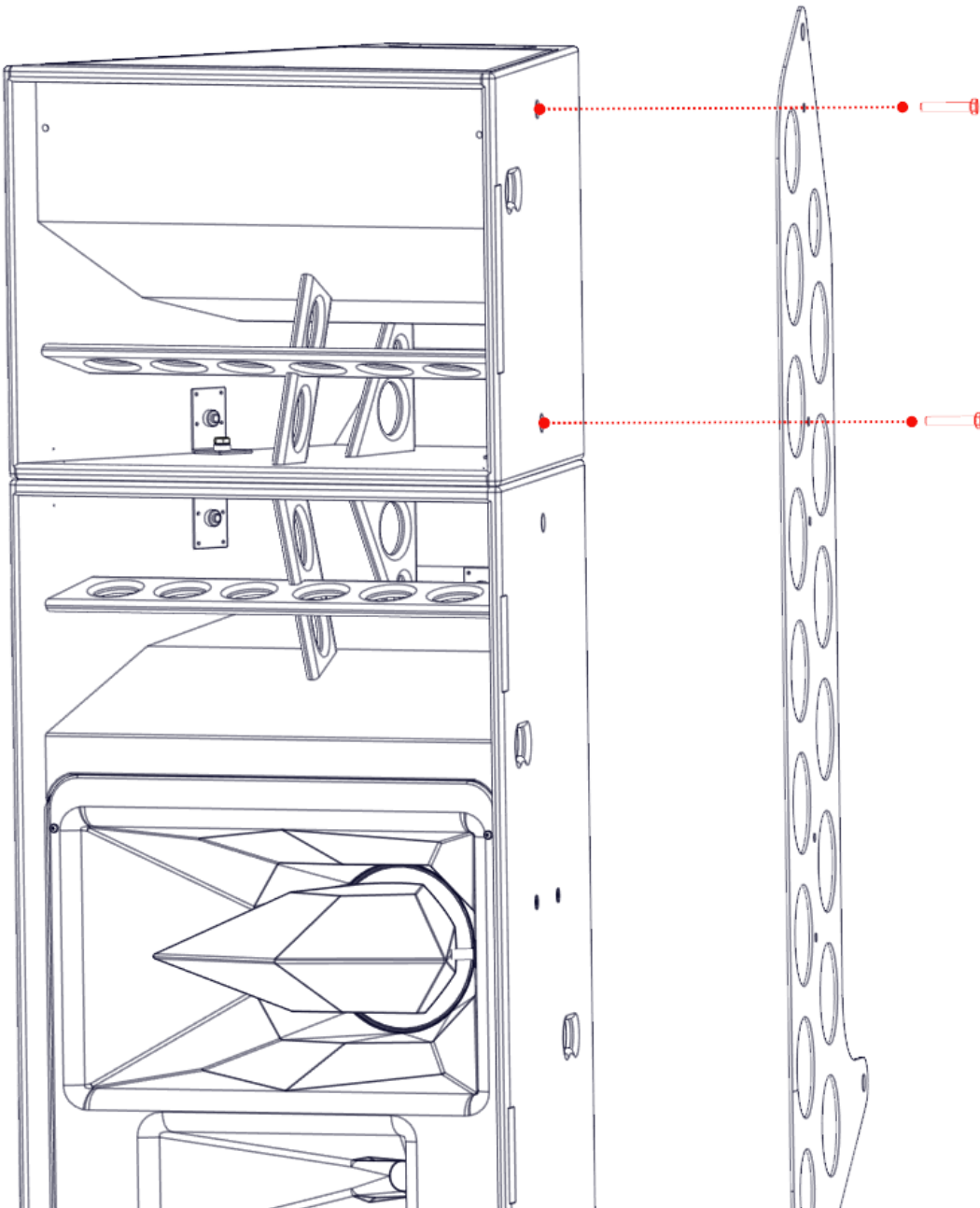
Attach 1x Evo6EL using 2x custom bolts as shown below. Do not tighten bolts fully.



# Evo6E + Evo6EL Central Flyplate Guide.

## Step 2.

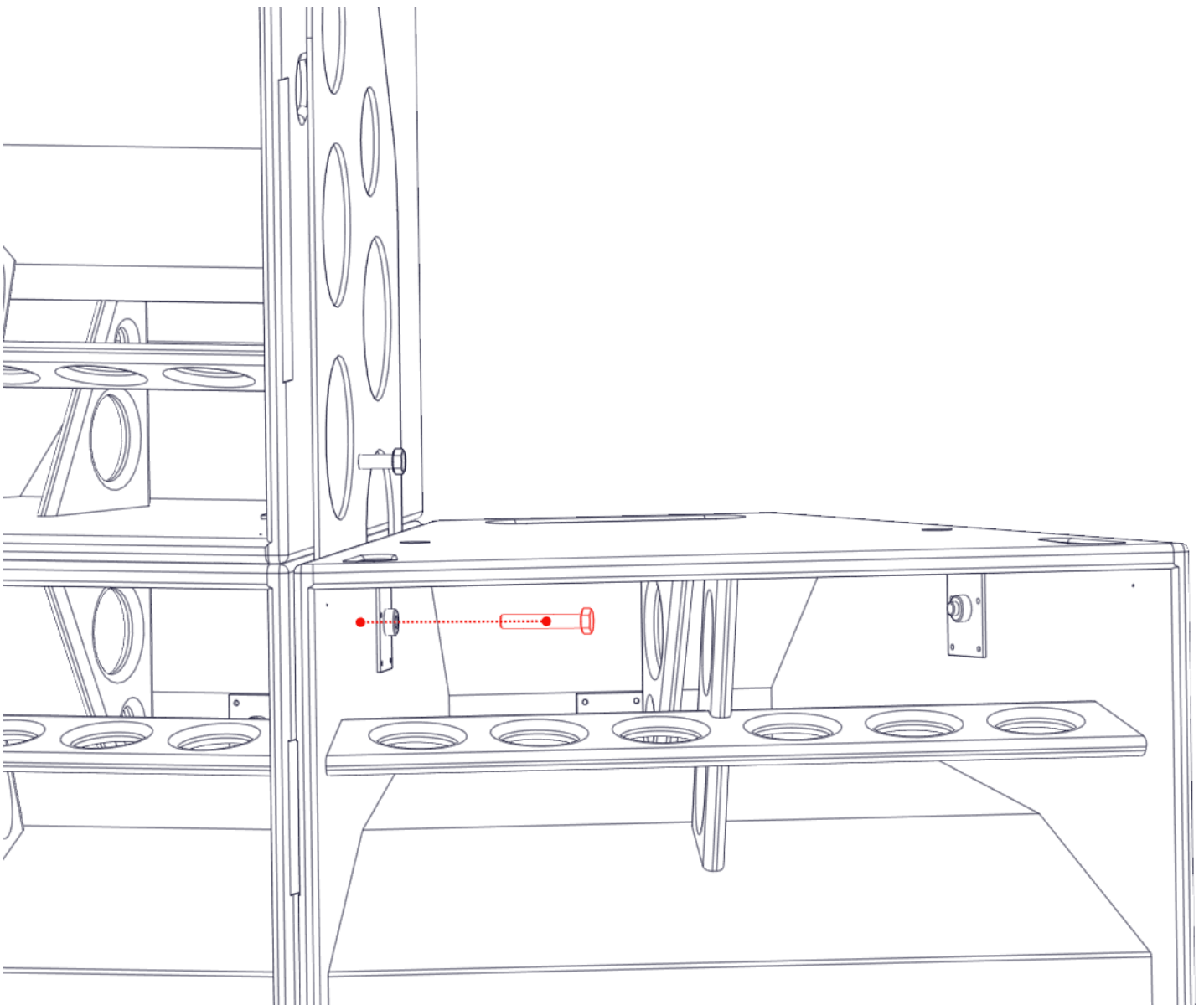
Attach the flyplate the flyplate to the Evo6EL using 2x custom bolts as shown below. Do not tighten the bolts yet.



# Evo6E + Evo6EL Central Flyplate Guide.

## Step 3.

Take the second Evo6E and place it against the flyplate. Attach using one custom bolt, do not tighten the bolt yet.

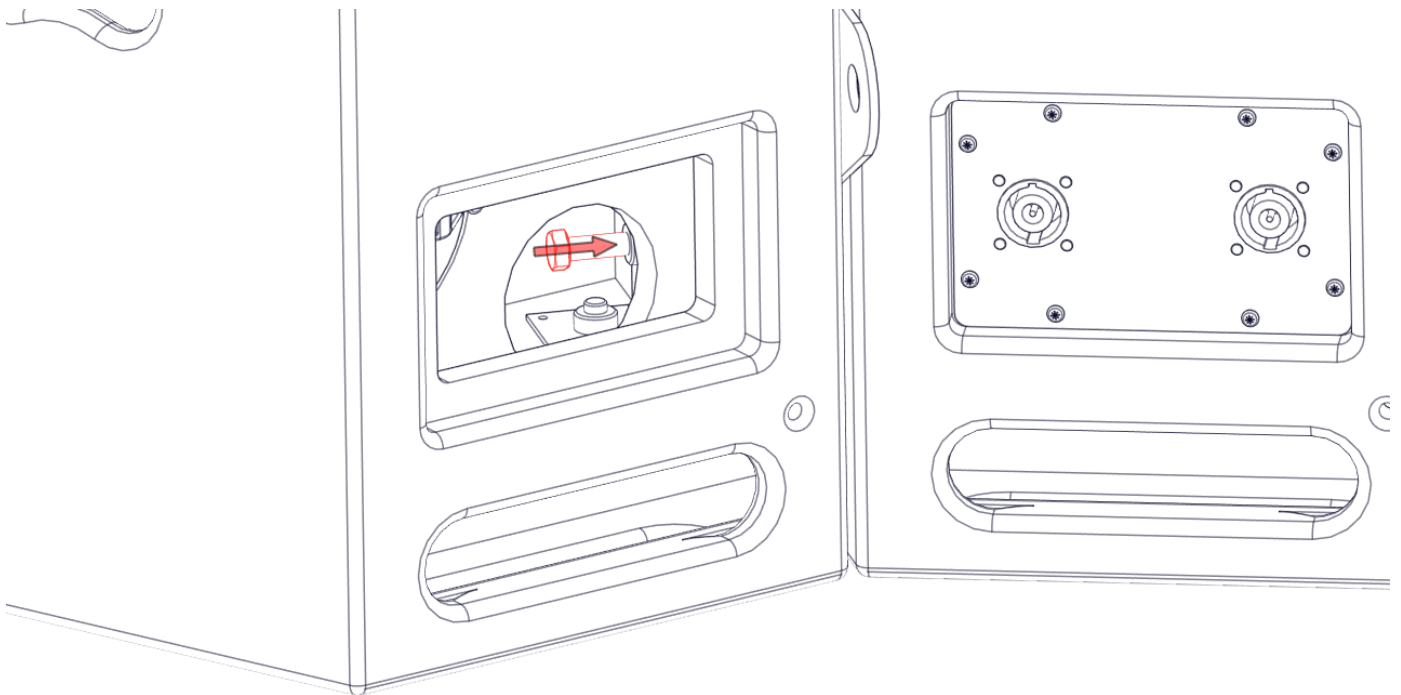


# Evo6E + Evo6EL Central Flyplate Guide.

## Step 4.

On the back of the Evo6E which you have just attached, remove the 8x screws in the connector plate using a Pozi-2 screwdriver. Move the connector plate out of the way to gain access to the inside of the cabinet.

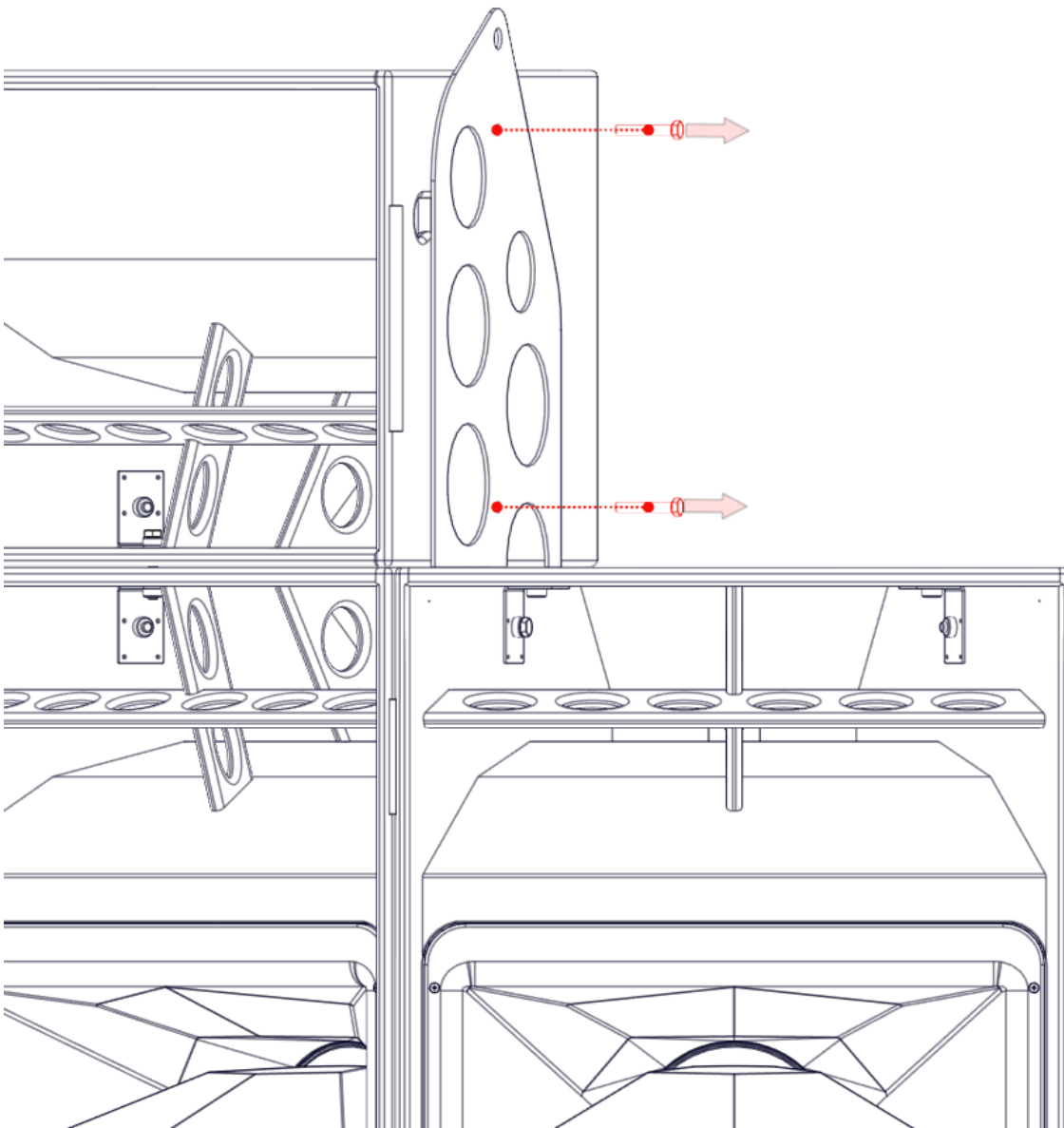
Reach inside and install one custom bolt through the plate inside the cabinet as shown below. Do not tighten the bolt yet.



# Evo6E + Evo6EL Central Flyplate Guide.

## Step 5.

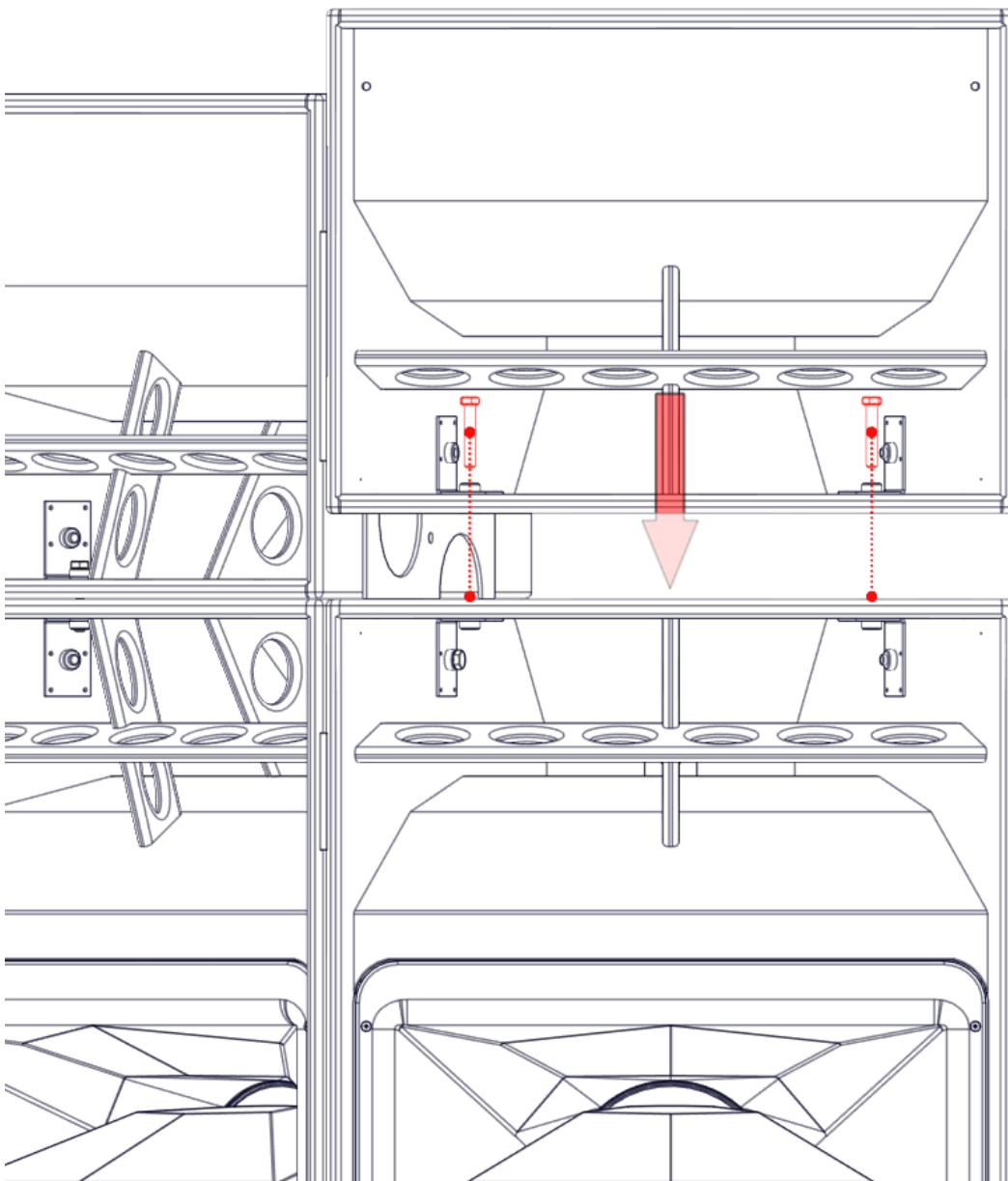
Remove the bolts from the Evo6EL



# Evo6E + Evo6EL Central Flyplate Guide.

## Step 6.

Take the remaining Evo6EL and attach it to the second Evo6E with 2x custom bolts as shown below. Do not tighten the bolts yet.

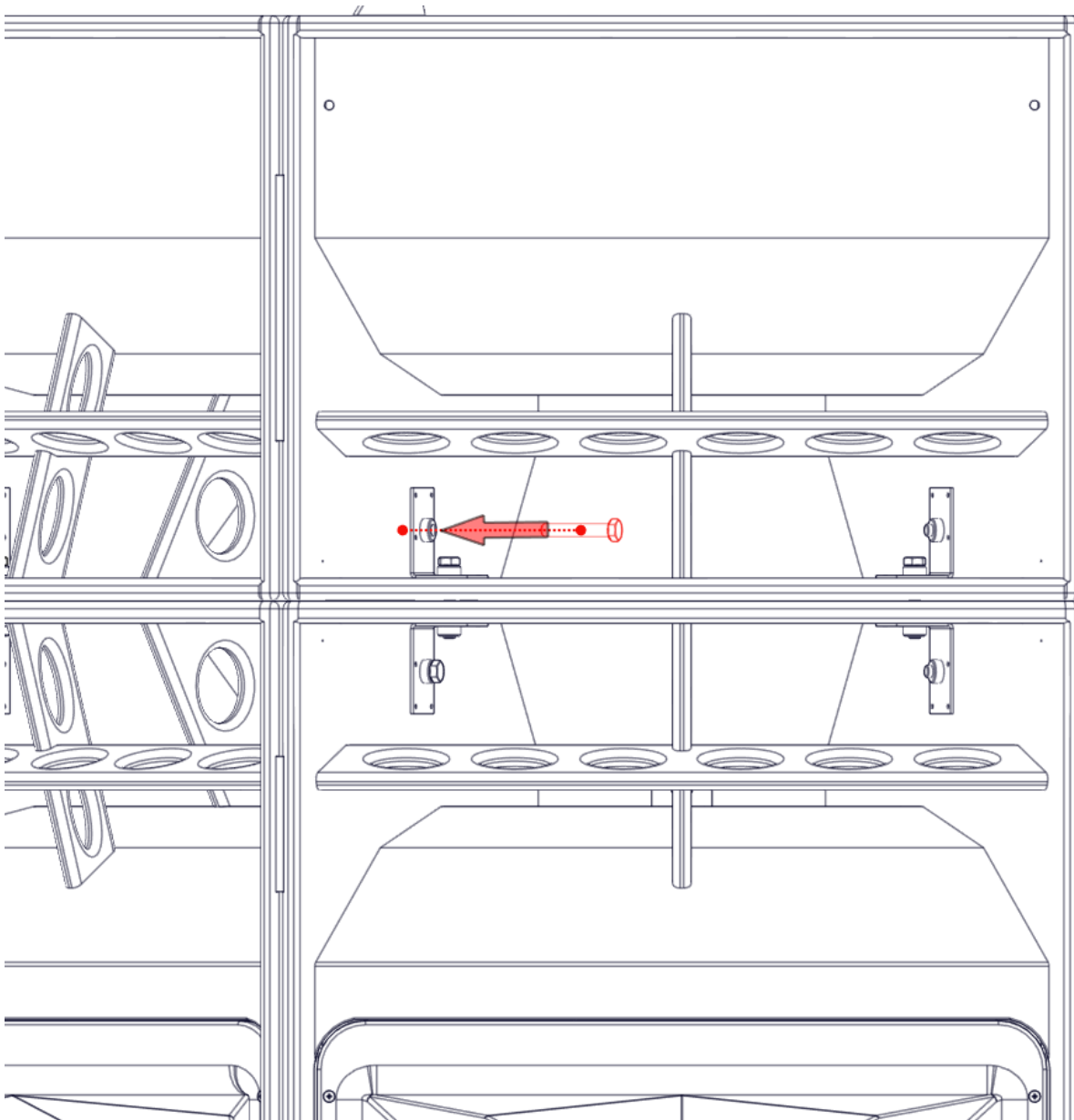




# Evo6E + Evo6EL Central Flyplate Guide.

## Step 7.

Attach the second Evo6EL to the first Evo6EL as shown below.  
Do not tighten the bolt yet.



# Evo6E + Evo6EL Central Flyplate Guide.

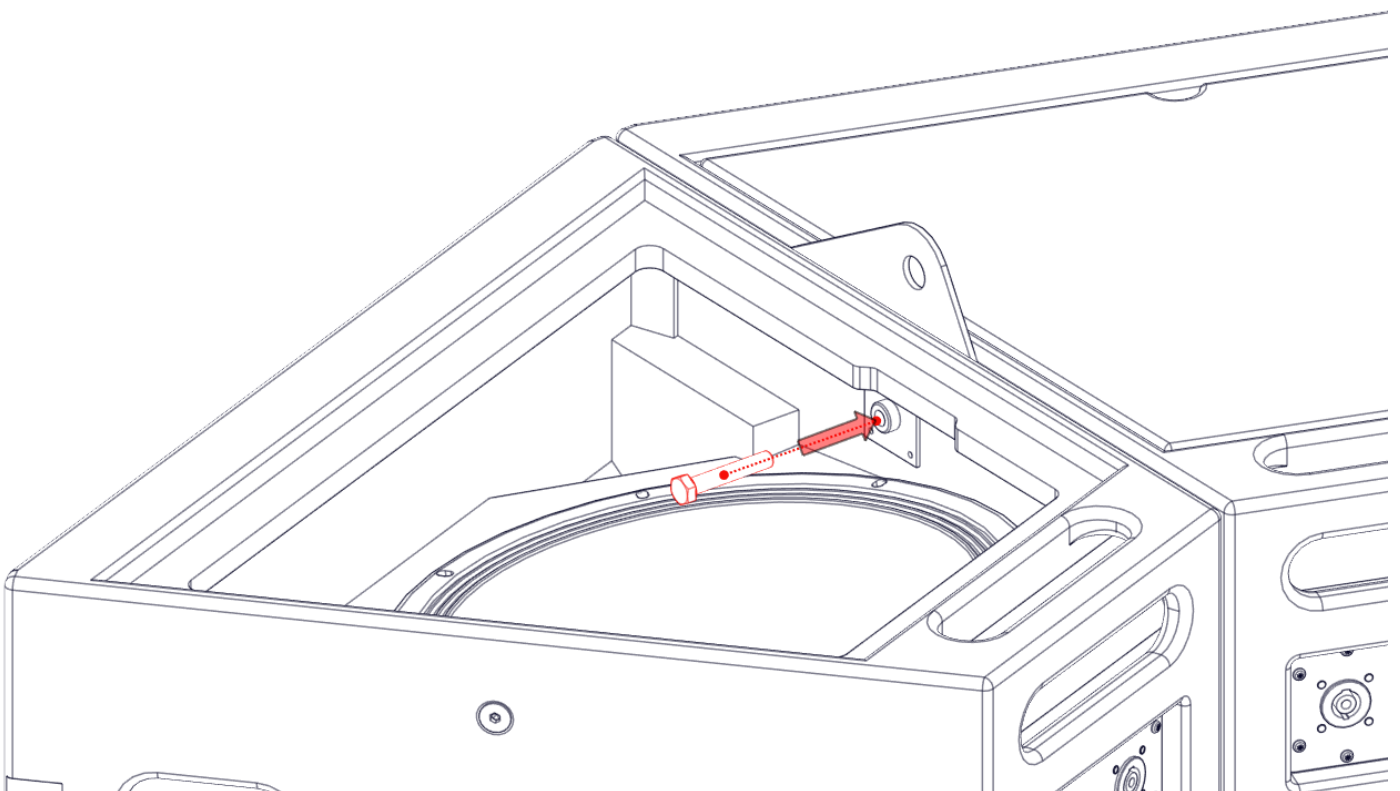
## Step 8.

Remove the door from the second Evo6EL to gain access to the inside of the cabinet.

Use the last remaining custom bolt to attach the 2x Evo6ELs together.

Now tighten all the bolts and reinstate the door and the connector plate.

The array is now ready to be installed.



# Evo6E + Evo6EL Central Flyplate Guide.

