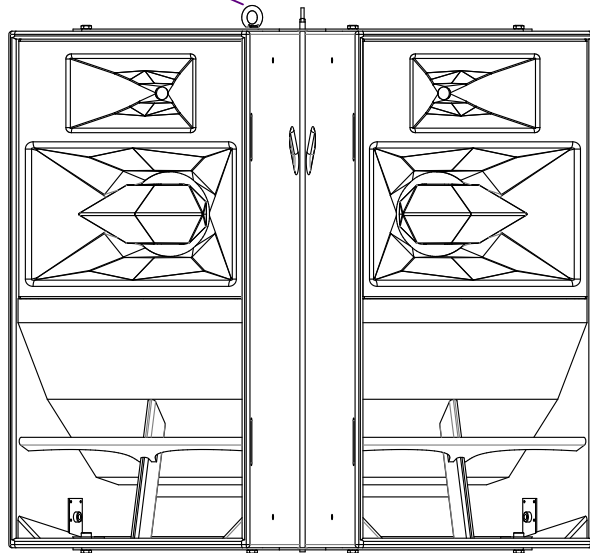
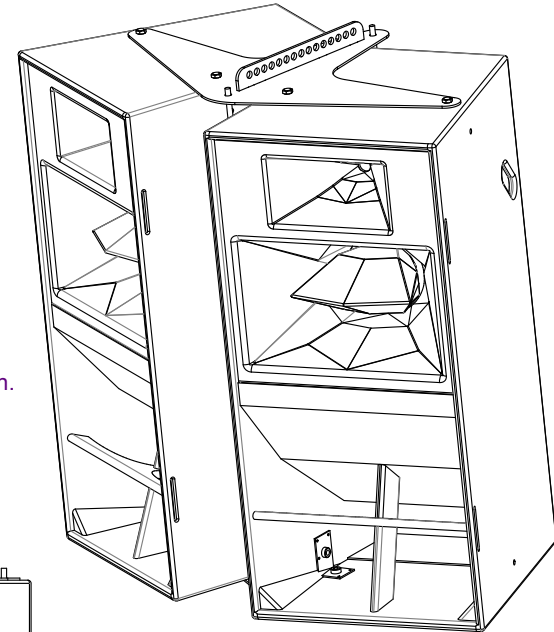
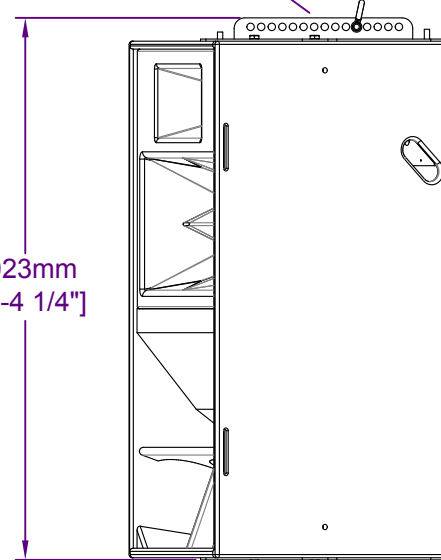


M10 eyebolt two supplied with each set. These are for safety attachment or can be used to stabilise direction. Choice of position.

Choice of hole for main shackle gives natural declination between about 15° up and 22° down. A second shackle can be used to stabilise direction.

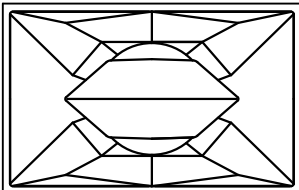


1023mm
[3'-4 1/4"]



All dimensions in mm and inches

Copyright Funktion-One Research Ltd



FUNKTION-ONE

Hoyle, Horsham Road, Beare Green, Dorking, Surrey, RH5 4PS, England

Phone: +44 (0)1306 712820

Fax: +44 (0)1306 711240



mail@funktion-one.com

www.funktion-one.com

Accessories for: Resolution 4E

FP42-K1 - Flyplate Kit to fly two wide R4E with pick-up spine to top (2 plates plus studding) ideal for installs