

Funktion-One Research LTD  
 Hoyle, Beare Green, Dorking, Surrey, RH5 4PS, UK  
 mail@funktion-one.com +44 (0)1306 712820

Sheet:Overview  
 Funktion-One Product Detail Drawing

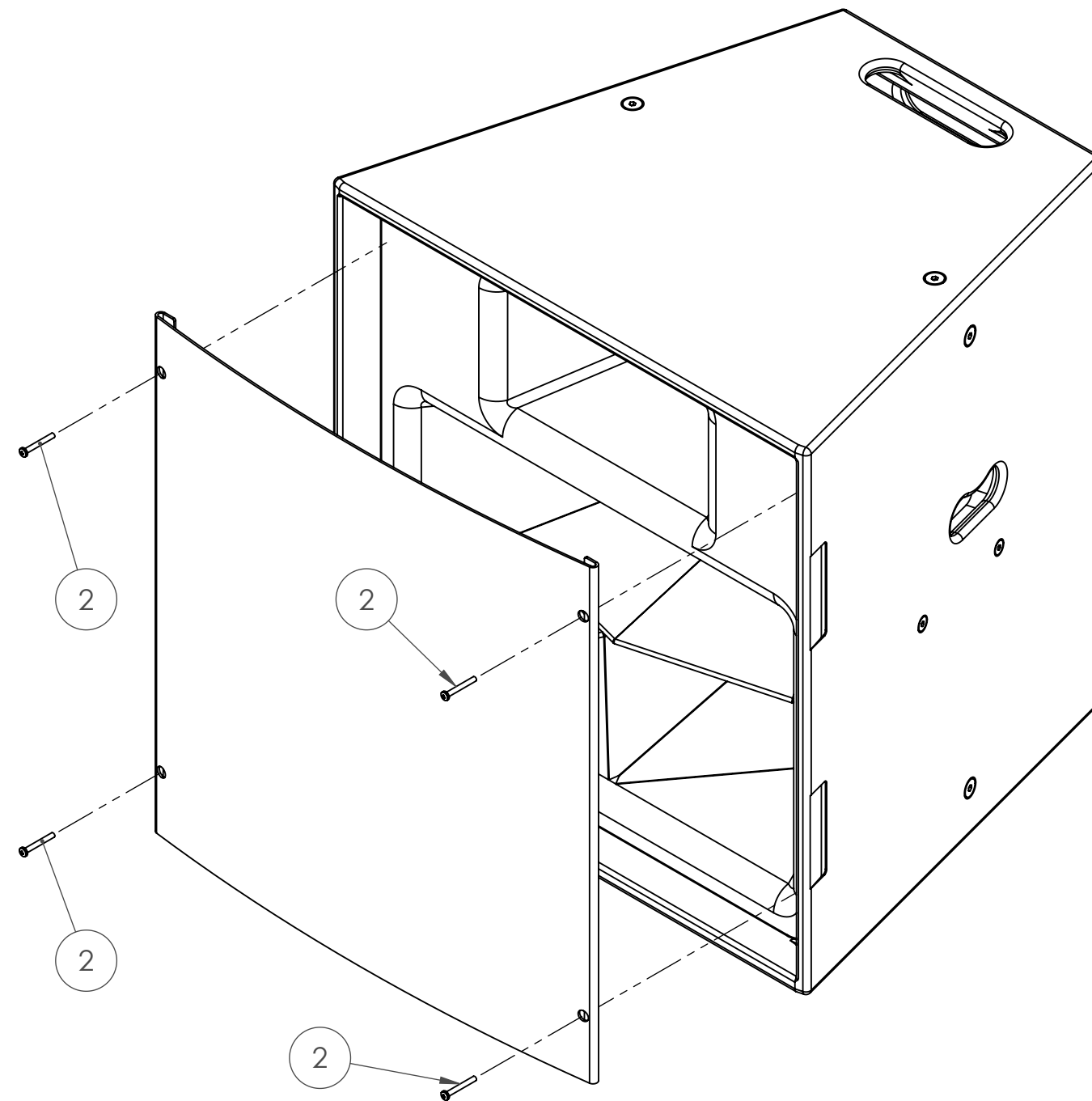
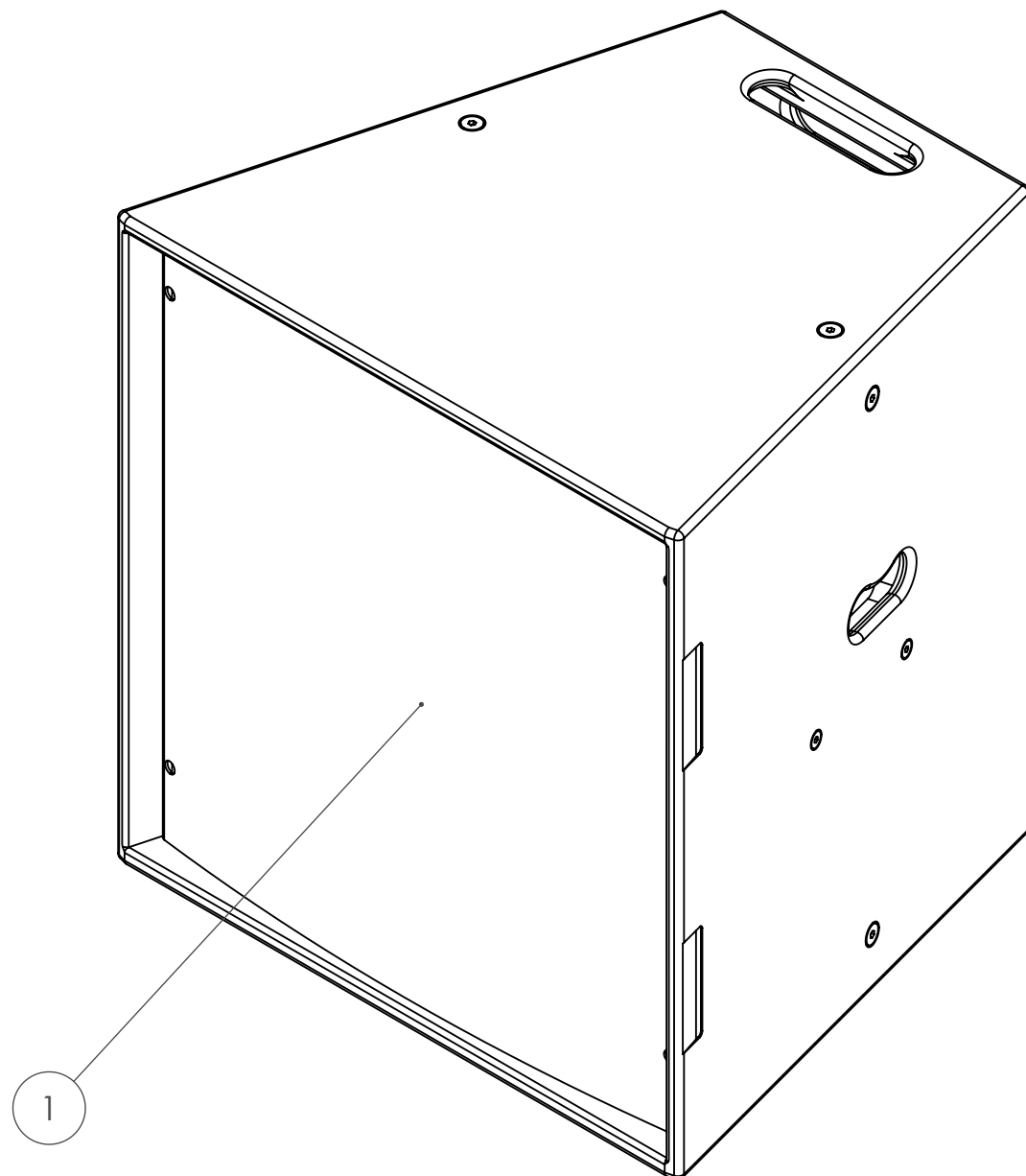
A3 Sheet Scale: 1:6

Drawn By: Mike Igglesden

10/10/2022

Filename:

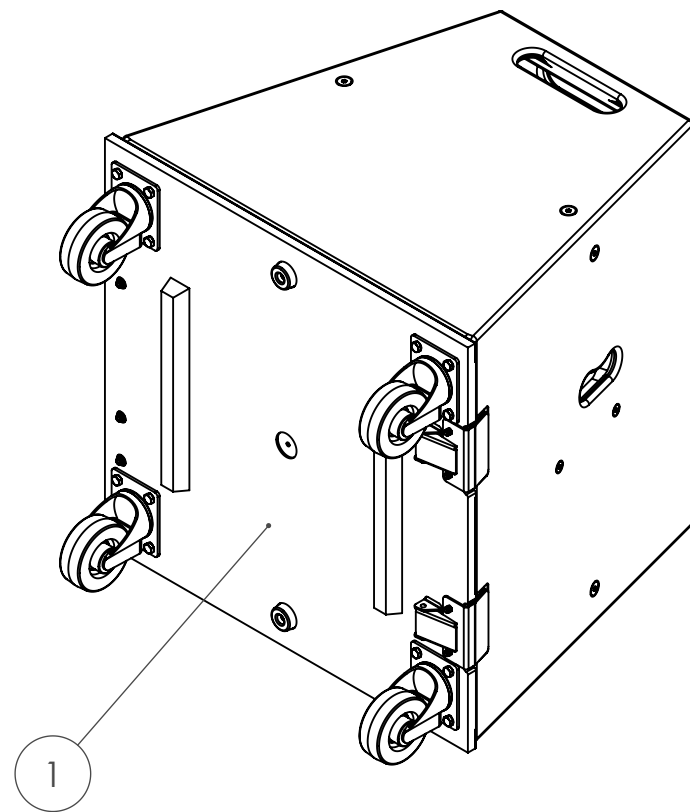
Evo7EH-F1-DD=T0086-00



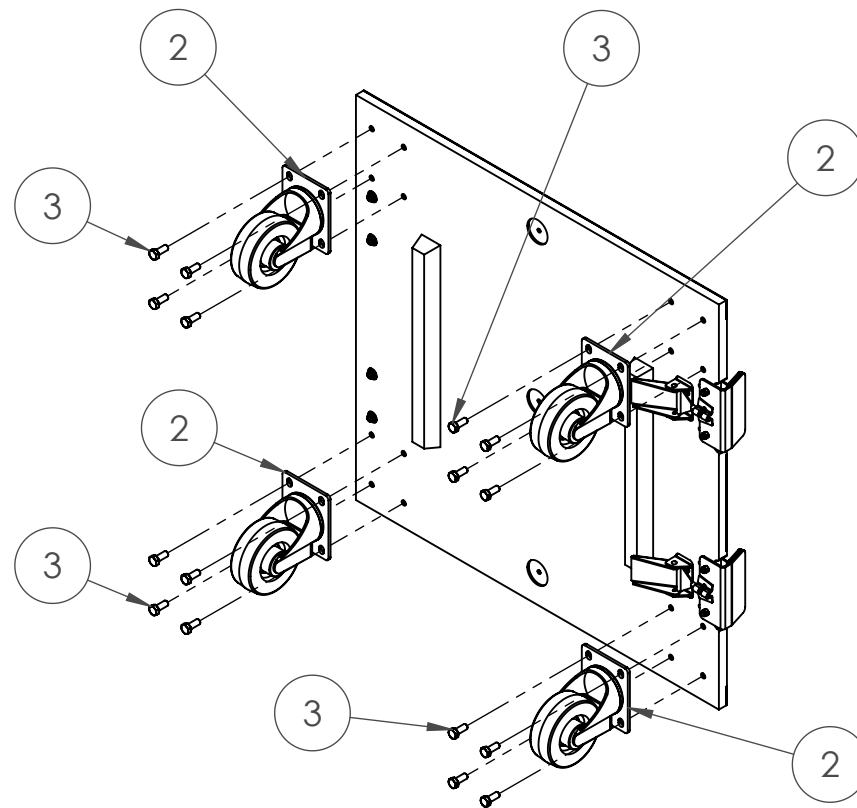
Evo 7EH ordered with grille fitted.  
Hex punched 2mm steel, black powder coat and  
foam backed for descreet aesthetic.

Removal and reattachment of grille with 4 x M5 x  
40mm pozi (PZ2) pan head bolts. These bolts are used  
to also secure the wave guide to the cabinet and  
should always be fitted with or without the grille.

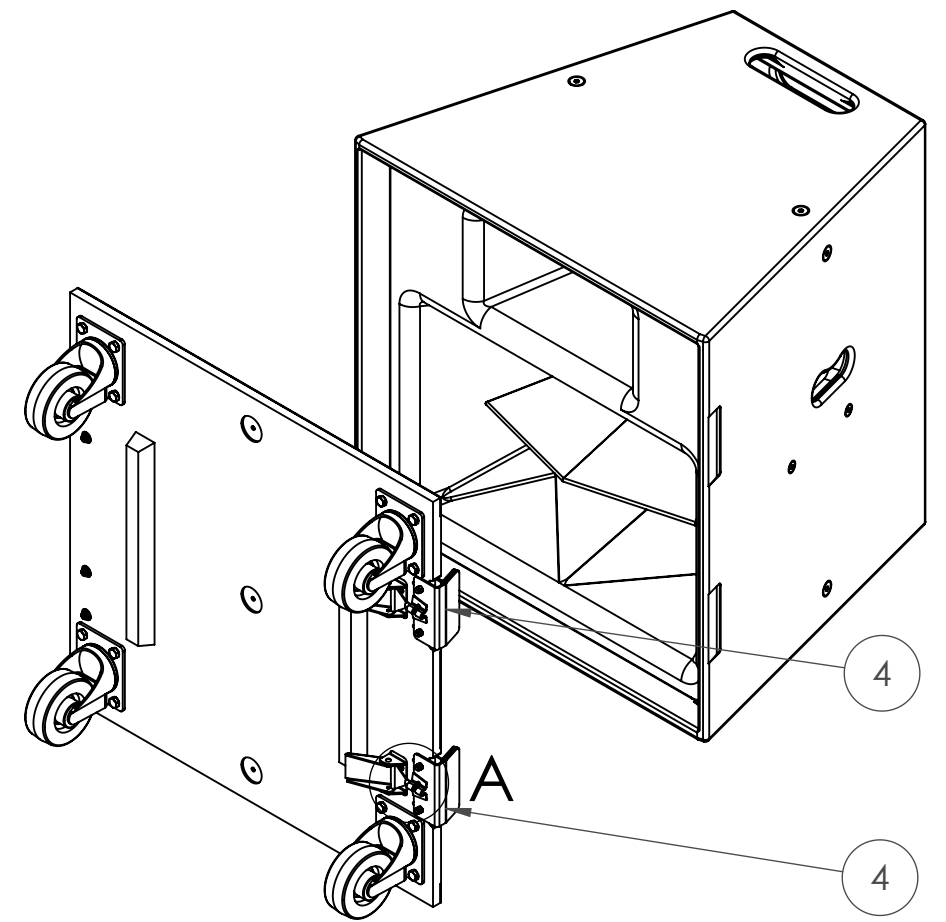
ITEM	DESCRIPTION	QUANTITY
1	EVO7EH GRILLE, HEX PUNCHED, FOAM BACKED	1
2	M5 X 40mm POZI PAN HEAD BOLT	4



Evo7EH with wheel board fitted.

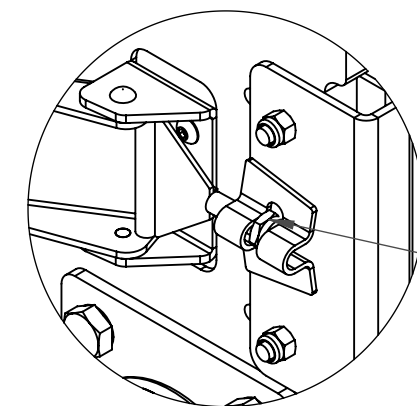


Evo7EH packed with wheel board, but without wheels fitted. Each wheel requires 4 x M8 x 20mm hex bolts (17mm) (supplied). We suggest using a contact adhesive on the bolt thread to secure bolts.



The two over centre latches clamp onto the Evo7EH cabinet in their side recesses. To fit wheels board, sit the cabinet on its bottom face as above, hook onto the cabinet on the fixed clamp side first, then, with the over centrlatches open, swing the board onto the front face and close the latches. Should the latches become loose, tighten the M10 (13mm) nut.

ITEM	DESCRIPTION	QUANTITY
1	WB6/7 EVOLUTION 6 & 7 EH WHEEL BOARD	1
2	4" CASTOR WHEEL	4
3	M8 X 20mm HEX BOLT	16
4	OVER CENTR LATCH	2



**DETAIL A**

SCALE 1 : 2

Adjustment nut