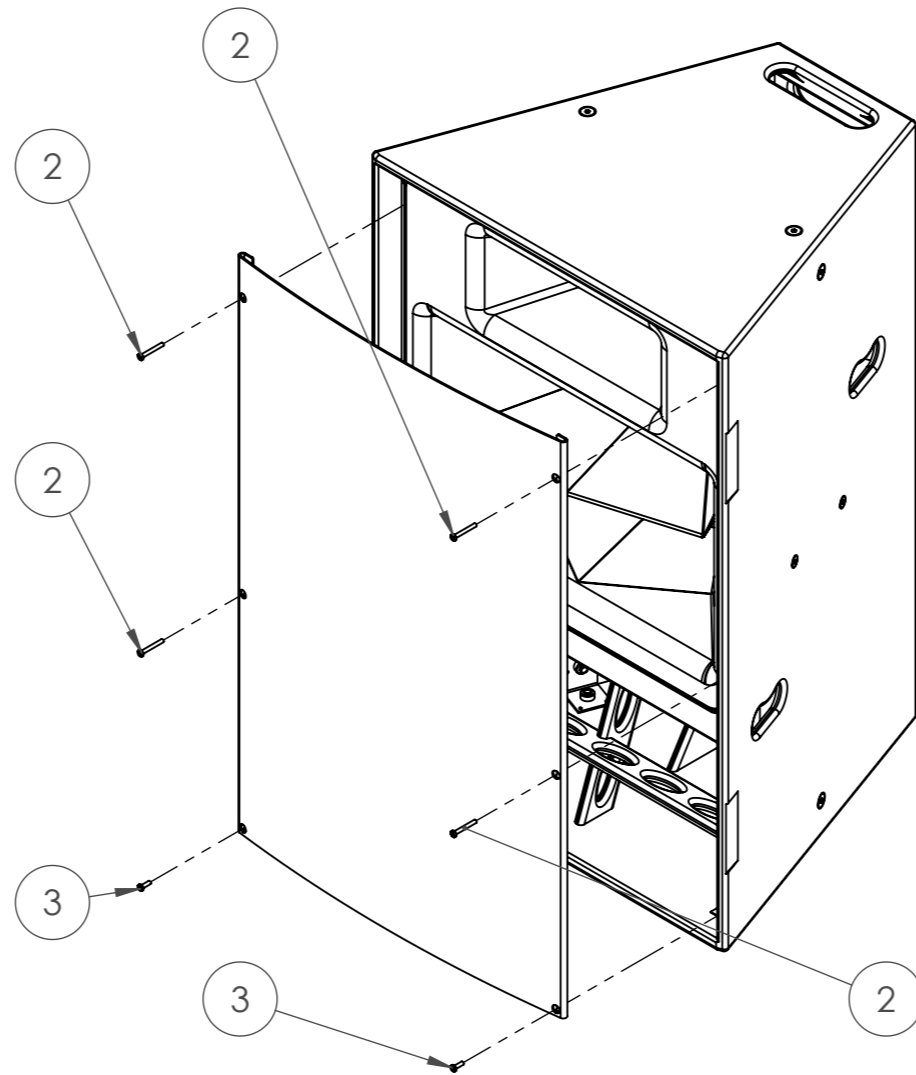
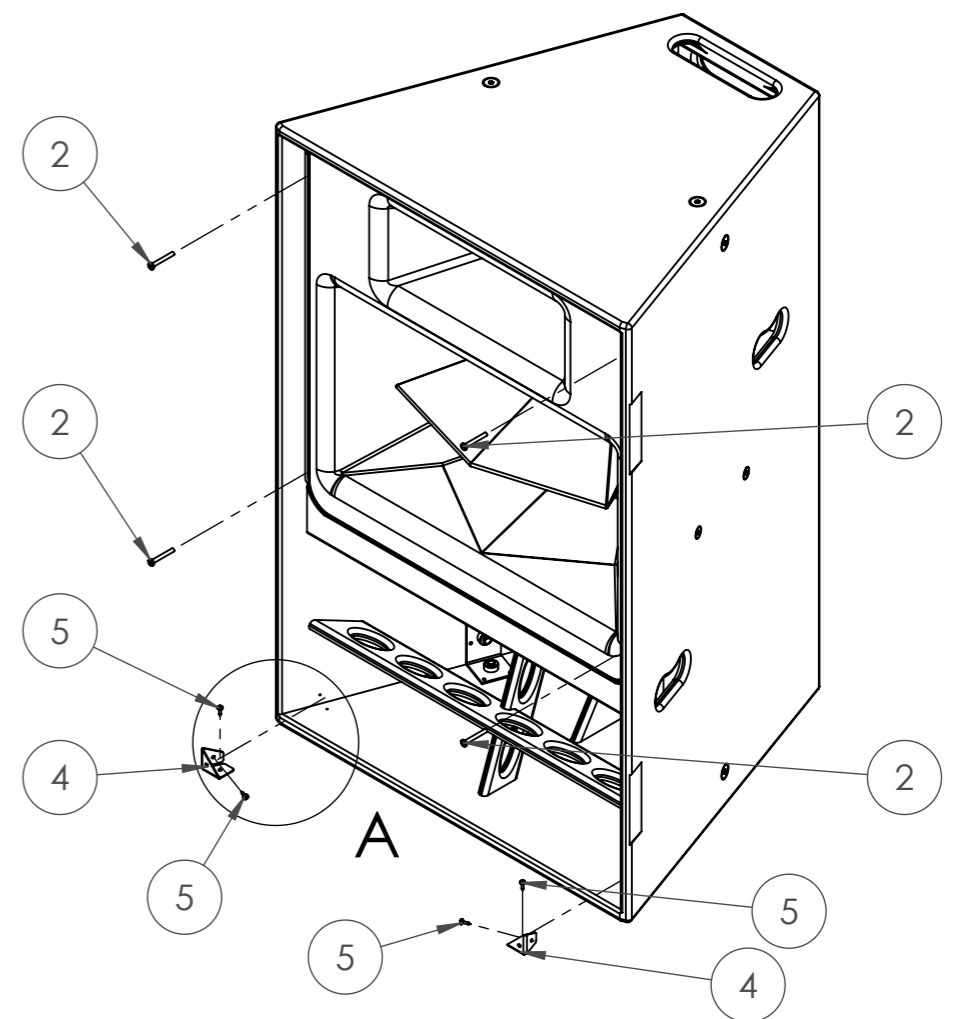


Evo 6E ordered with grille fitted. Hex punched 2mm steel, black powder coat and foam backed for discreet aesthetic.



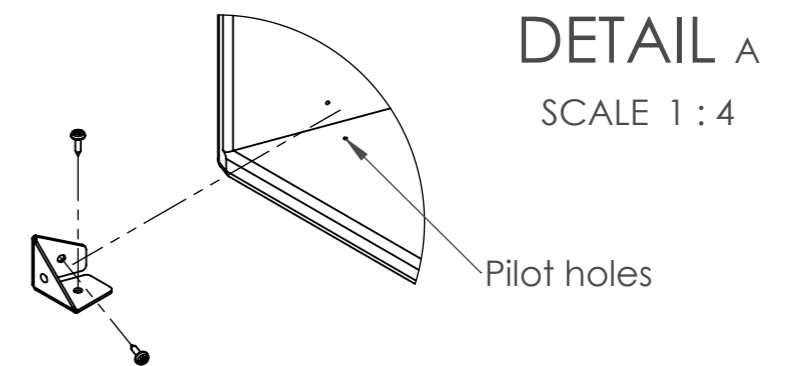
Removal and reattachment of grille with 2 x M5 x 16mm pozi (PZ2) pan head bolts and 4 x M5 x 40mm pozi (PZ2) pan head bolts. These 40mm bolts are used to also secure the wave guide to the cabinet and should always be fitted.



Evo6E ordered without grille, but grille required to be retro fitted. 2 x Evo6 grille brackets to be fitted with 2 x 3.5mm x 12mm pozi (PZ2) pan head screws per bracket. Fitment and location of grille brackets set with the use of the pilot holes. The 4 x M5 x 40mm pozi (PZ2) pan head bolts need to be removed before reattaching with the grille.

ITEM	DESCRIPTION	QUANTITY
1	GRILLE, HEX PUNCHED, FOAM BACKED	1
2	M5 X 40mm POZI PAN HEAD BOLT*	4
3	M5 X 16mm POZI PAN HEAD BOLT	2
4	EVO6 20° GRILLE BRACKET, M5 BUSH, MIRRORRED PAIR	2
5	3.5mm X 12mm POZI PAN HEAD SCREW	4

\* fitted to cabinet



**DETAIL A**  
SCALE 1 : 4

**Funktion-One Research LTD**  
Hoyle, Beare Green, Dorking, Surrey, RH5 4PS, UK  
mail@funktion-one.com +44 (0)1306 712820

Sheet:Detail Drawing  
Funktion-One Accessory Drawing

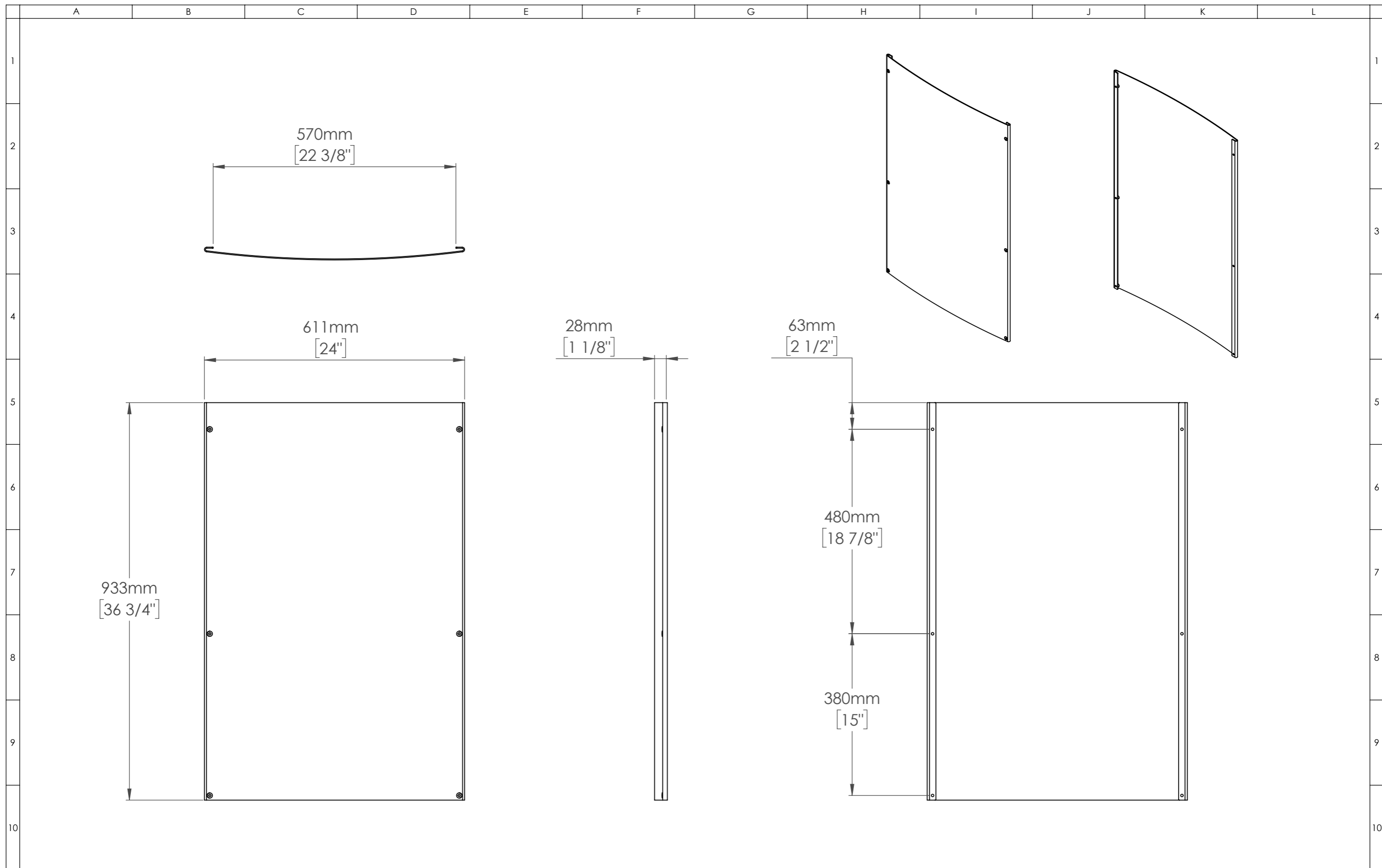
A3 Sheet Scale: 1:10

Drawn By: Mike Igglesden

17/05/2023

Filename:

**GK-E6-F1-AD=T0018-01**



<p>Funktion-One Research LTD Hoyle, Beare Green, Dorking, Surrey, RH5 4PS, UK mail@funktion-one.com +44 (0)1306 712820</p>	<p>Sheet: Grille Technical Drawing Funktion-One Accessory Drawing</p>	<p>A3 Sheet Scale: 1:10 Filename:</p>	<p>Drawn By: Mike Igglesden 17/05/2023 <b>GK-E6-F1-AD=T0018-01</b></p>
--	---	---	--