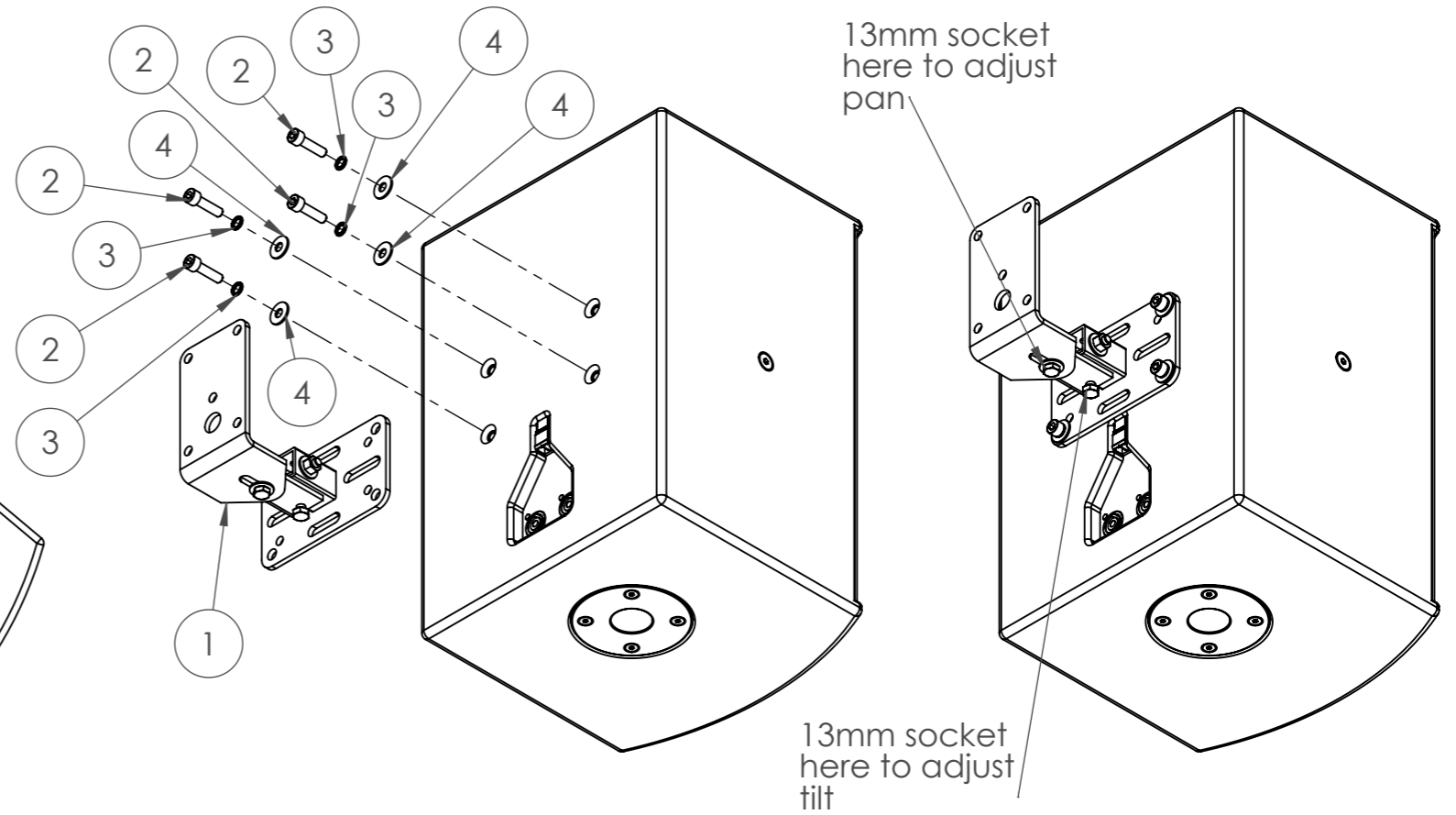
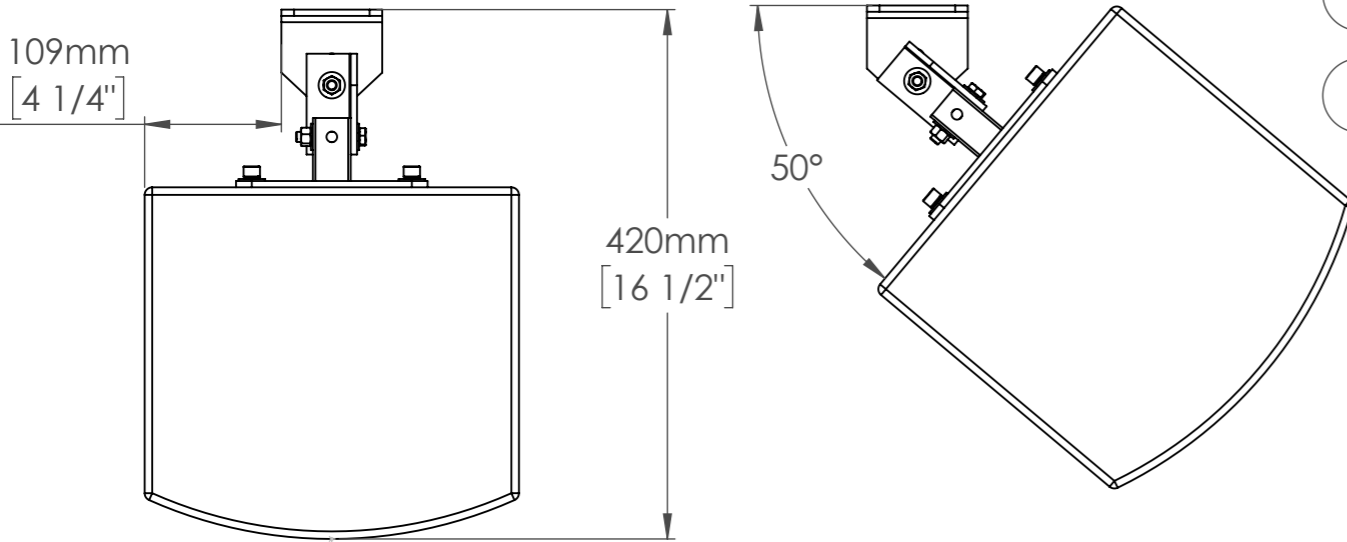
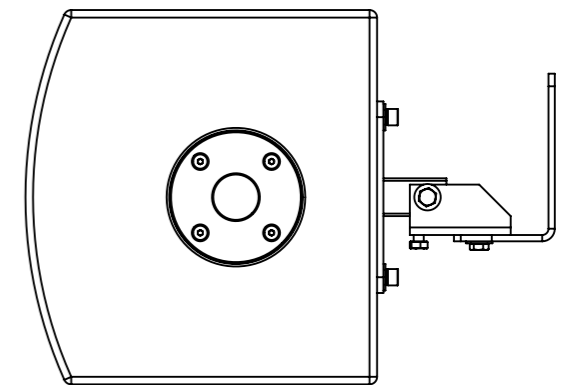
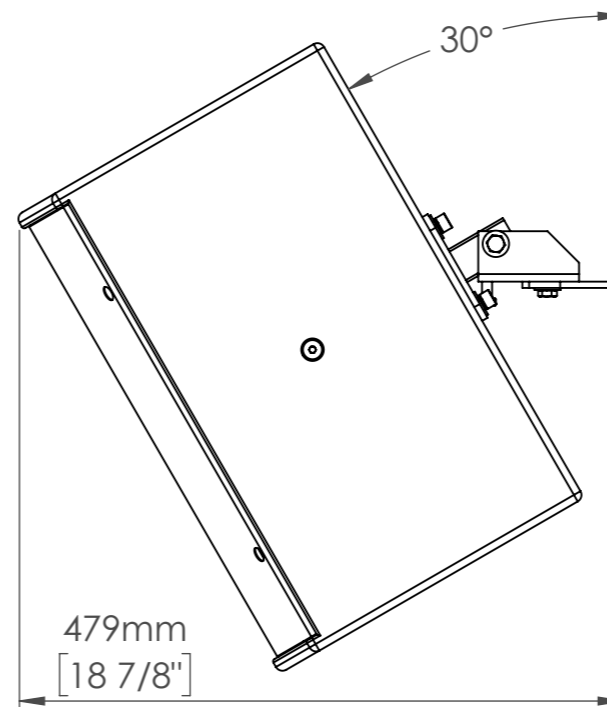
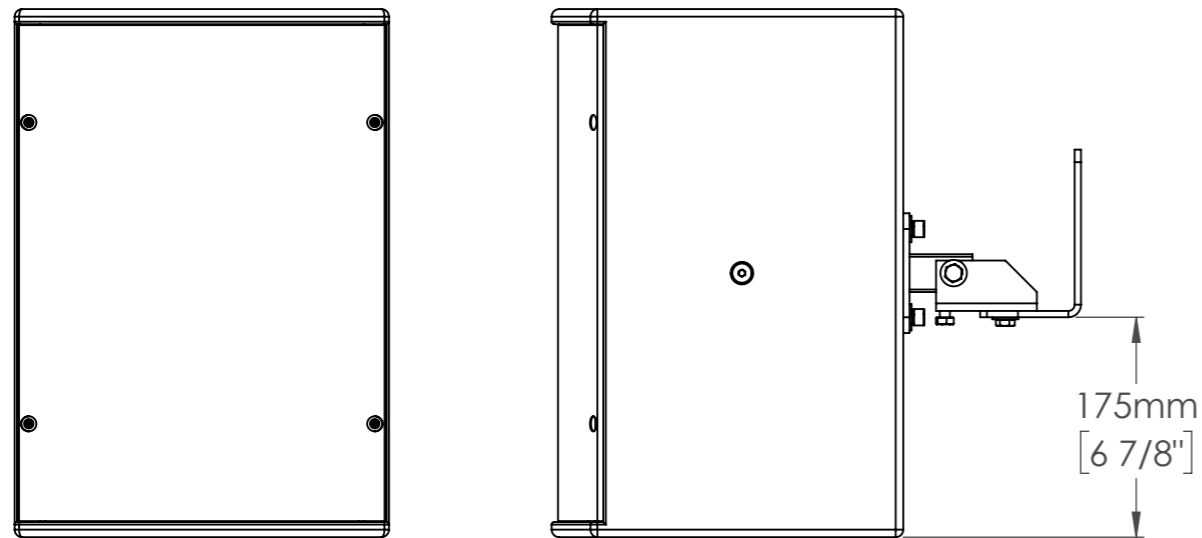


ITEM	DESCRIPTION	QUANTITY
1	F101 WALL MOUNT BRACKET (WME100)	1
2	M8 X 30mm HEX BOLT	4
3	M8 SPLIT WASHER	4
4	M8 C-FORM WASHER	4



Remove 4 x M8 blanking bolts. Wall mount bracket is fitted directly to the F101 loudspeaker using 4 x bolts, 4 x split washers and 4 x washers.

With no vertical tilt, maximum horizontal pan is 50°. This reduces when introducing tilt. Maximum vertical tilt is 30°



Possible to horizontally mount the F101 by rotating the speaker plate on the WME100.

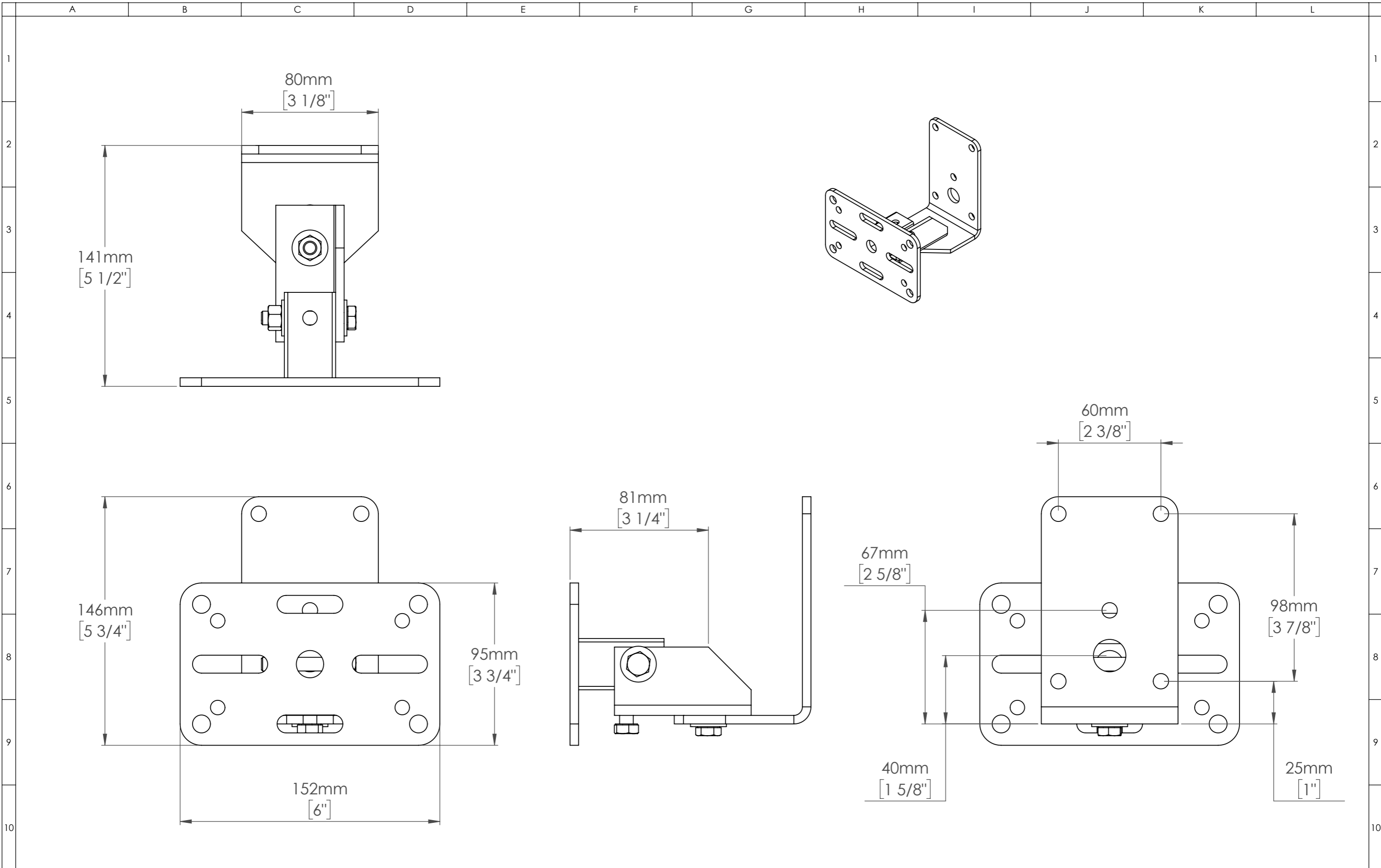
Funktion-One Research LTD
 Hoyle, Beare Green, Dorking, Surrey, RH5 4PS, UK
 mail@funktion-one.com +44 (0)1306 712820

Sheet: Detail Drawing
 Funktion-One Accessory Drawing

A3 Sheet Scale: 1:6
 Filename:

Drawn By: Mike Igglesden 26/04/2023

WME100-101-F1-AD=T0061-01



Funktion-One Research LTD
 Hoyle, Beare Green, Dorking, Surrey, RH5 4PS, UK
 mail@funktion-one.com +44 (0)1306 712820

Sheet: Technical Drawing
 Funktion-One Accessory Drawing

A3 Sheet Scale: 1:2
 Filename:

Drawn By: Mike Igglesden 26/04/2023

WME100-101-F1-AD=T0061-01