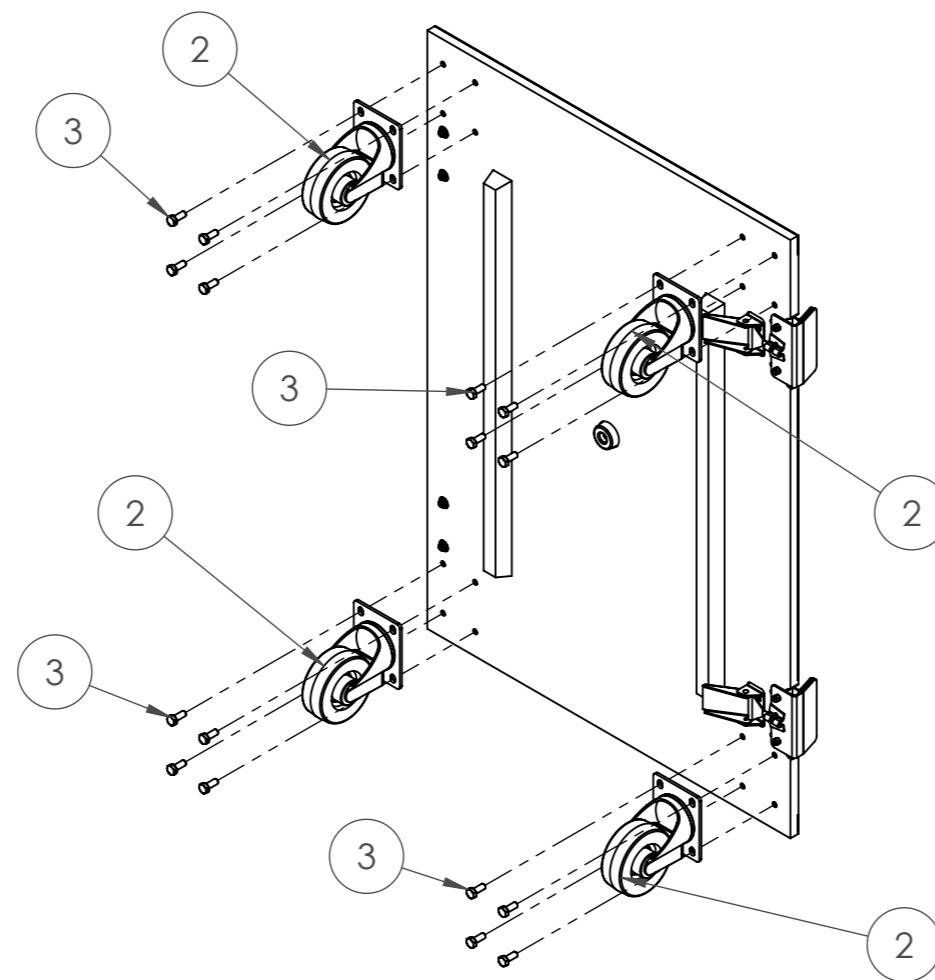
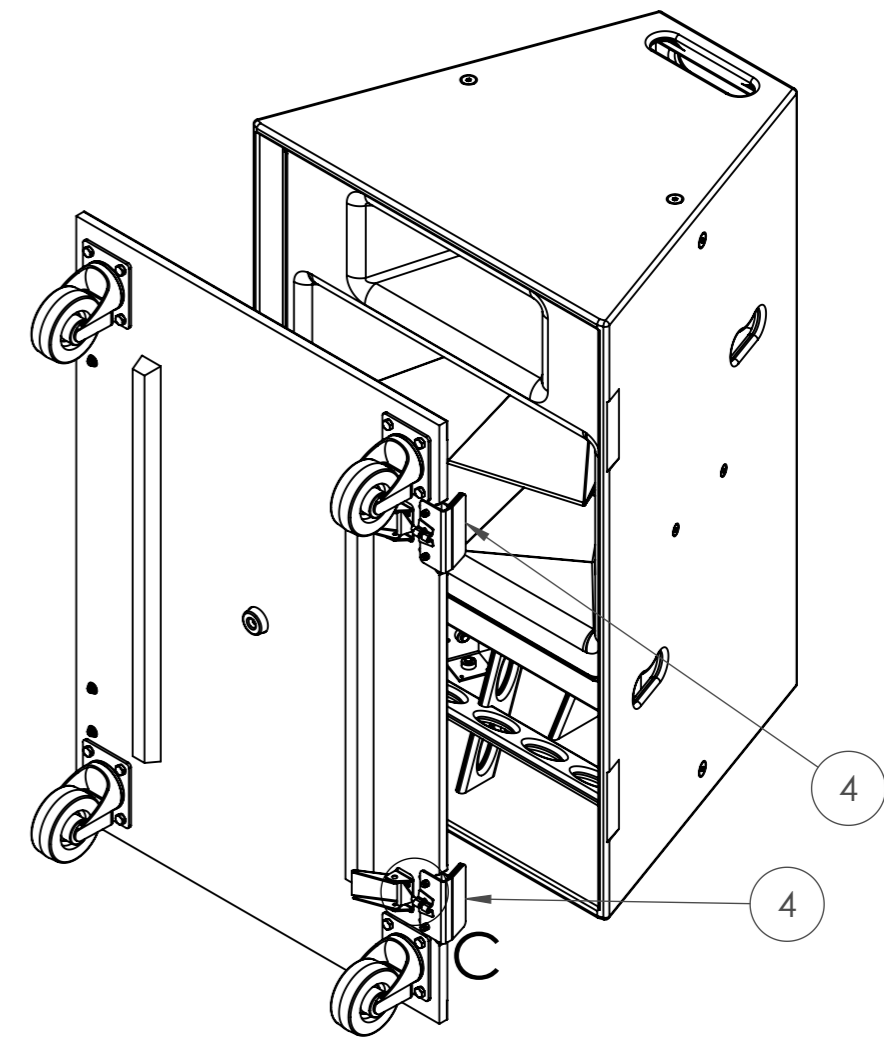


Evo6E with wheel board fitted.



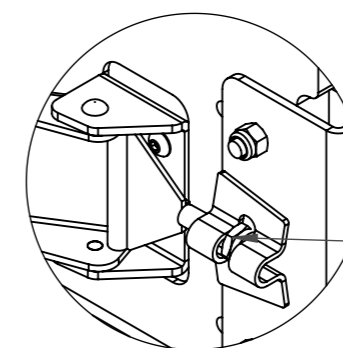
Evo6E packed with wheel board, but without wheels fitted. Each wheel requires 4 x M8 x 20mm hex bolts (13mm). We suggest using a contact adhesive on the bolt thread to secure bolts.



The two over centre latches clamp onto the Evo6E cabinet in their side recesses. To fit wheel board, sit the cabinet on its bottom face as above, hook onto the cabinet on the fixed clamp side first, then, with the over centre latches open, swing the board onto the front face and close the latches. Should the latches become loose, tighten the M6 (10mm) nut.

ITEM	DESCRIPTION	QUANTITY
1	EVOLUTION 6 & 7 WHEEL BOARD	1
2	4" CASTOR WHEEL	4
3	M8 X 20mm HEX BOLT	16
4	OVER CENTR LATCH*	2

* fitted to wheel board



DETAIL C

SCALE 1 : 2

Adjustment nut

Funktion-One Research LTD
 Hoyle, Beare Green, Dorking, Surrey, RH5 4PS, UK
 mail@funktion-one.com +44 (0)1306 712820

Sheet:Evo6 Detail Drawing

Funktion-One Accessory Drawing

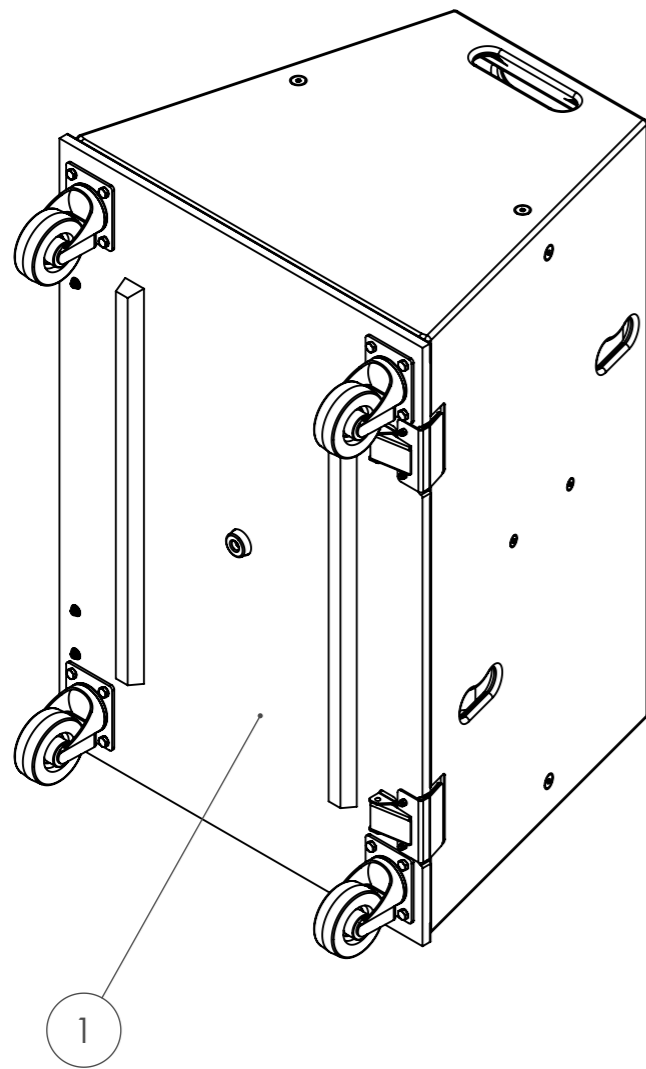
A3 Sheet Scale: 1:10

Filename:

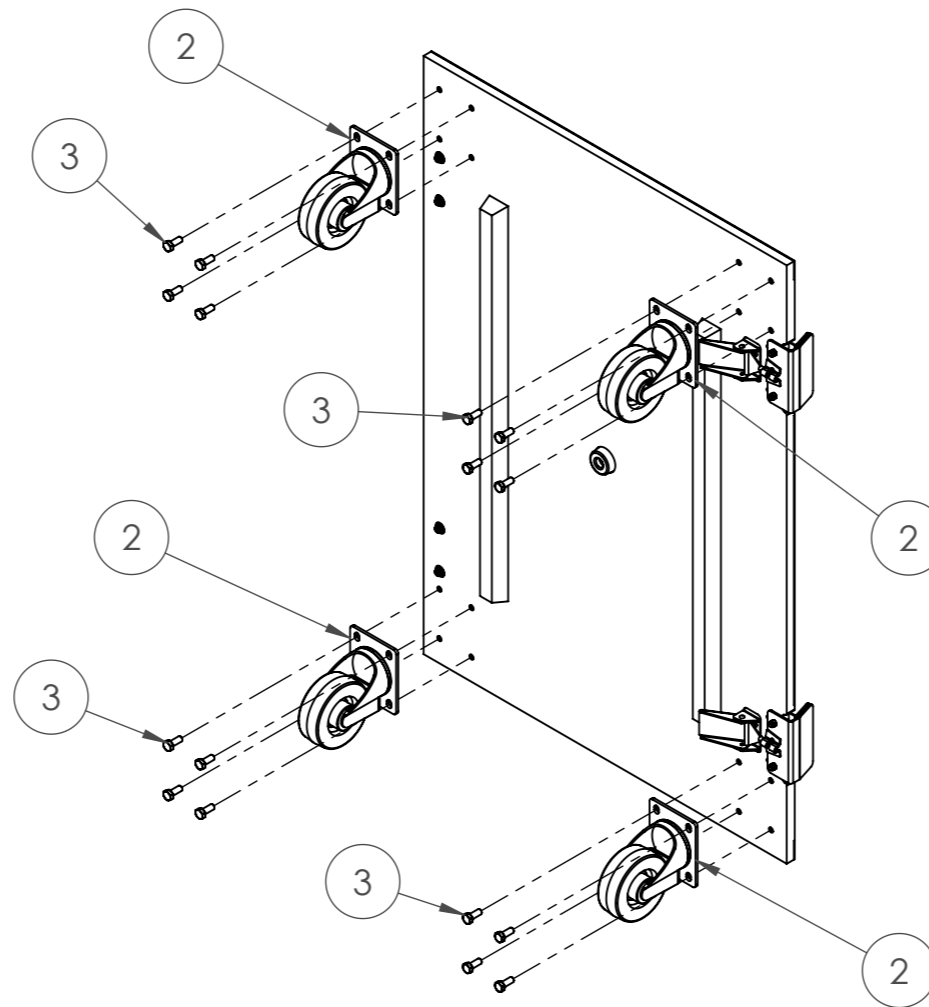
Drawn By: Mike Igglesden

17/05/2023

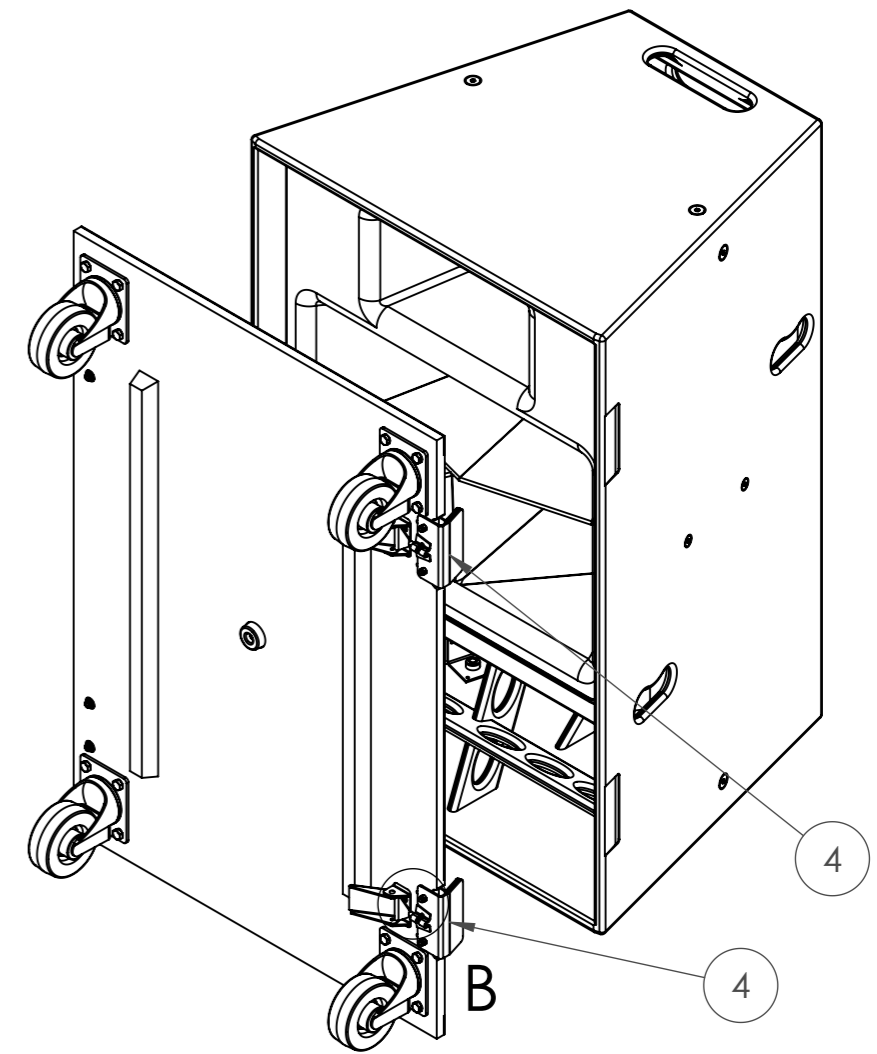
WB-E67-F1-AD=T0017-01



Evo7E with wheel board fitted. Evo7T & Evo7TL identical use of wheel board



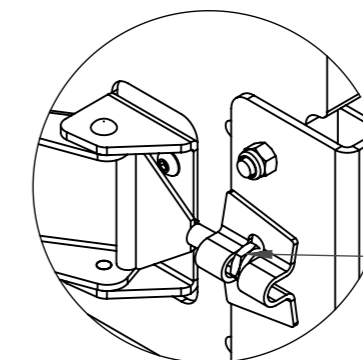
Evo7 packed with wheel board, but without wheels fitted. Each wheel requires 4 x M8 x 20mm hex bolts (13mm). We suggest using a contact adhesive on the bolt thread to secure bolts.



The two over centre latches clamp onto the Evo7E cabinet in their side recesses. To fit wheel board, sit the cabinet on its bottom face as above, hook onto the cabinet on the fixed clamp side first, then, with the over centre latches open, swing the board onto the front face and close the latches. Should the latches become loose, tighten the M6 (10mm) nut.

ITEM	DESCRIPTION	QUANTITY
1	EVOLUTION 6 & 7 WHEEL BOARD	1
2	4" CASTOR WHEEL	4
3	M8 X 20mm HEX BOLT	16
4	OVER CENTR LATCH*	2

* fitted to wheel board



DETAIL B

SCALE 1 : 2

Adjustment nut

Funktion-One Research LTD
 Hoyle, Beare Green, Dorking, Surrey, RH5 4PS, UK
 mail@funktion-one.com +44 (0)1306 712820

Sheet: Evo7 Detail Drawing

Funktion-One Accessory Drawing

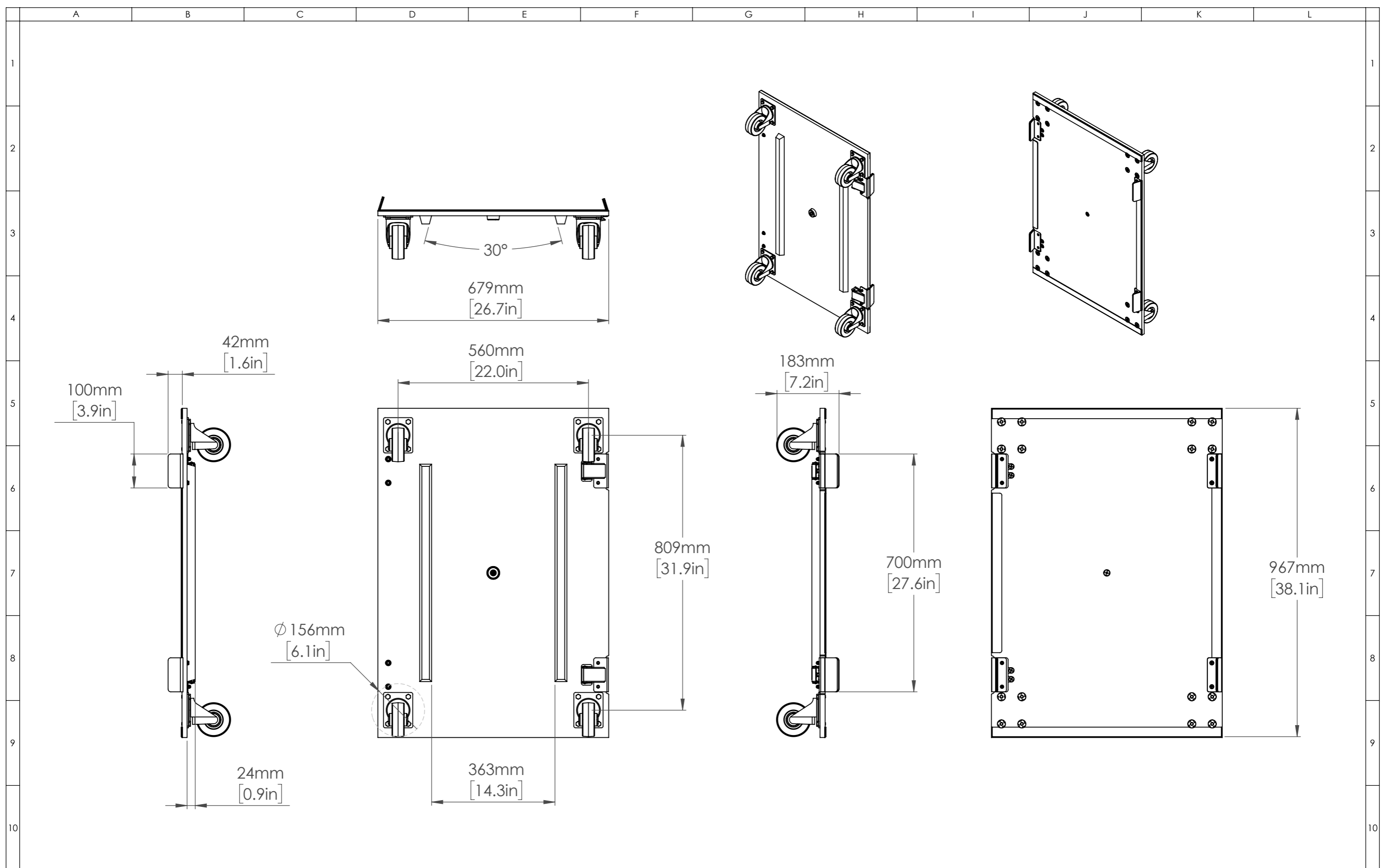
A3 Sheet Scale: 1:10

Filename:

Drawn By: Mike Igglesden

17/05/2023

WB-E67-F1-AD=T0017-01



Funktion-One Research LTD Hoyle, Beare Green, Dorking, Surrey, RH5 4PS, UK mail@funktion-one.com +44 (0)1306 712820			Sheet: Technical Drawing Funktion-One Accessory Drawing			A3 Sheet Scale: 1:10 Filename:			Drawn By: Mike Igglesden 17/05/2023 WB-E67-F1-AD=T0017-01		
--	--	--	--	--	--	-----------------------------------	--	--	--	--	--