

## PSM318

PSM318 DJ Monitor delivers outstanding full frequency output, accuracy and immediacy, setting a new benchmark for DJs looking for ultimate stage sound.

Each PSM318 comprises a new double 18" bass reflex enclosure (PSM318L) providing very strong near-field sub-bass with a separate triaxial driver for the rest of the frequency spectrum (PSM318H). The two enclosures join with a quick-latch system to provide simple angle adjustment for different stage positions and artist heights. The bass enclosure has wheels enabling it to be easily moved into position. The triaxial arrangement of the PSM318H combines a very high power 18" driver with a coaxially mounted two-way compression driver.



**Features:**

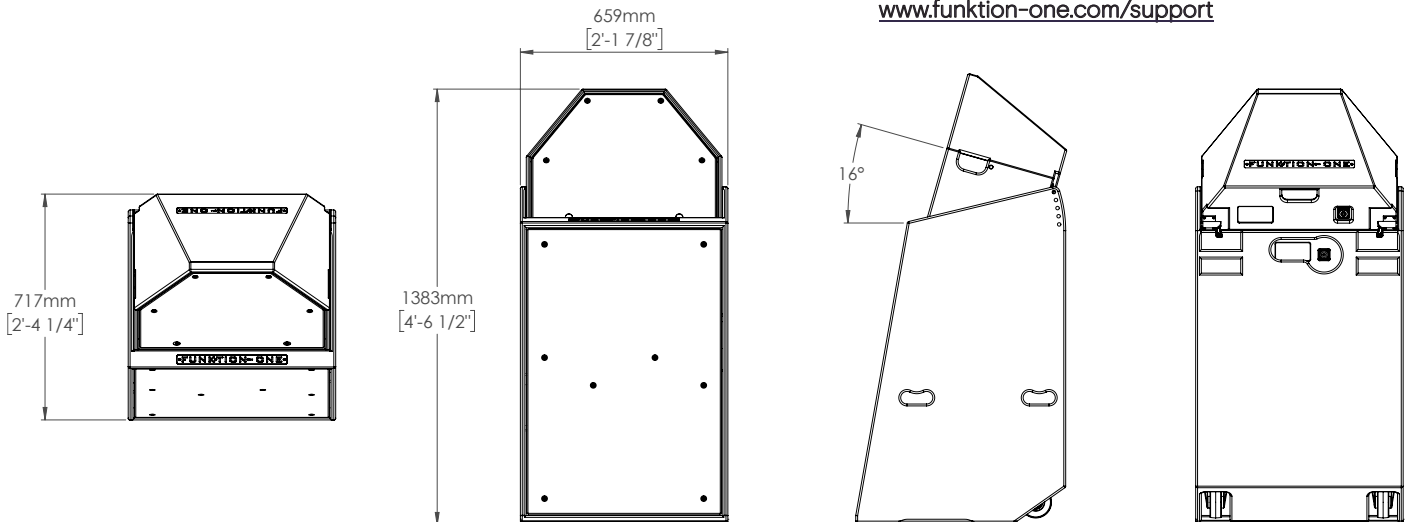
- High power, high accuracy point source monitoring
- Quick angle adjustment for different stage locations and DJ heights
- Integral wheels on PSM318L for easy manoeuvrability on stage
- Captive link lead to connect PSM318H
- NL8 connector on PSM318L for single cable connectivity
- Accessories available for optional pole mount configuration
- Minimised sight line impact
- Sturdy grilles
- Protective HDPE anti scuff base

Frequency Response (-3dB): 30Hz - 18kHz  
 Weight: 107kg (236lbs)  
 Nominal Dispersion: 70° Conical  
 Connectors: Neutrik NL8 input to lower section with NL4 captive lead to top section

Driver	Crossover Frequencies	Sensitivity (at 1m)*	Power (AES)	Nominal Impedance
2 x 18"	30Hz - 85Hz	101dB at 2V	1100W	4Ω
18"	85Hz - 694Hz	104dB at 2.8V	600W	8Ω
MF + HF	694Hz - Up	112dB at 2.8V	80W	8Ω

\*Measured in half space

Specific crossover settings can be found at [www.funktion-one.com/support](http://www.funktion-one.com/support)



Dimensions in Metric and Imperial

DO049-01