

Funktion-One Research LTD
 Hoyle, Beare Green, Dorking, Surrey, RH5 4PS, UK
 mail@funktion-one.com +44 (0)1306 712820

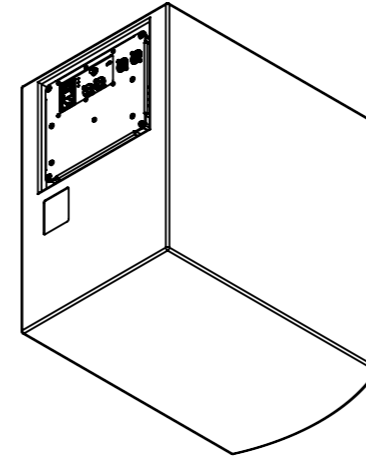
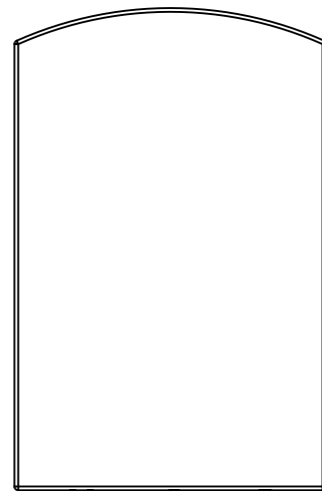
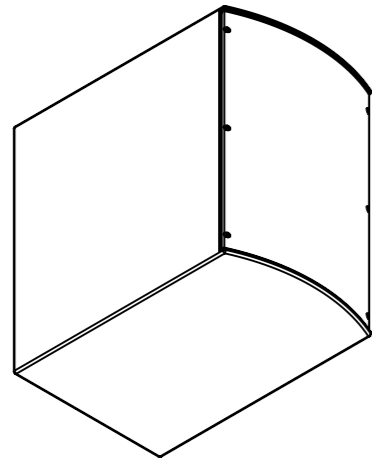
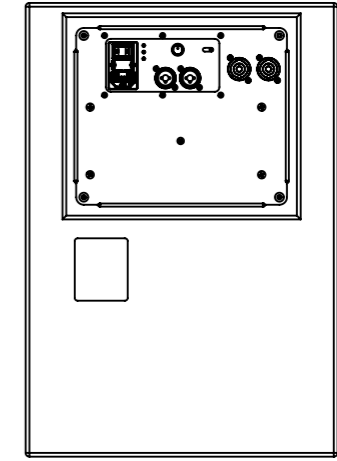
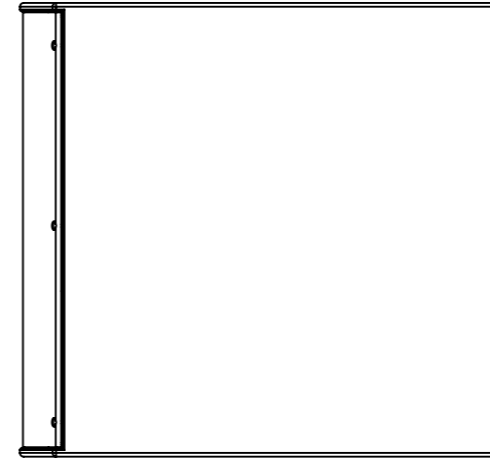
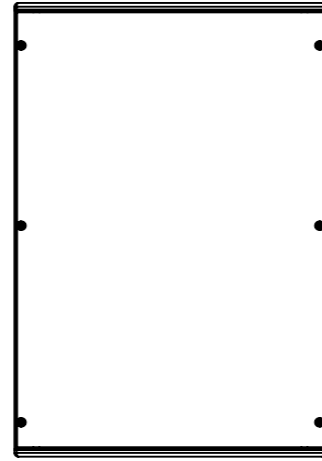
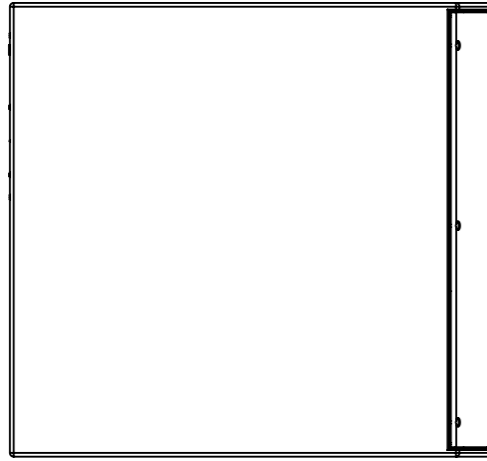
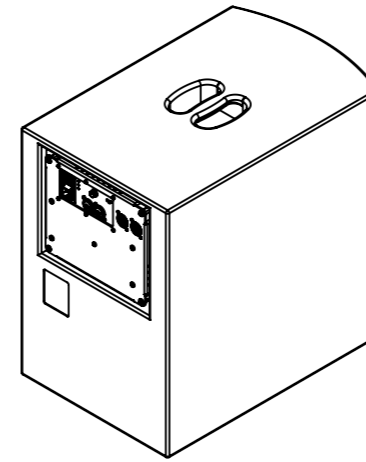
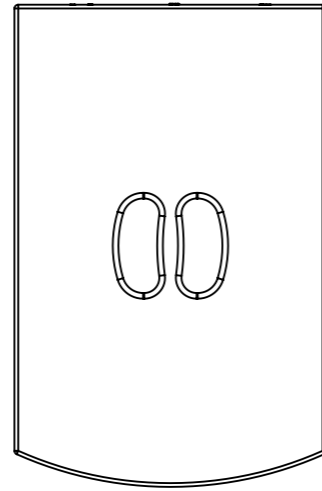
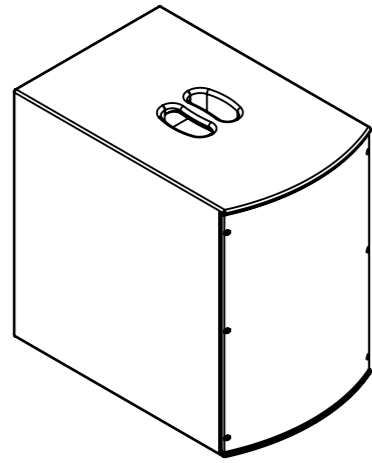
Sheet: Dimensions
 Funktion-One Product Technical Drawing

A3 Sheet Scale: 1:8

Drawn By: Mike Igglesden 22/05/2023

Filename:

SB10A-F1-TD=T0148-00



Funktion-One Research LTD
 Hoyle, Beare Green, Dorking, Surrey, RH5 4PS, UK
 mail@funktion-one.com +44 (0)1306 712820

Sheet: Standard
 Funktion-One Product Technical Drawing

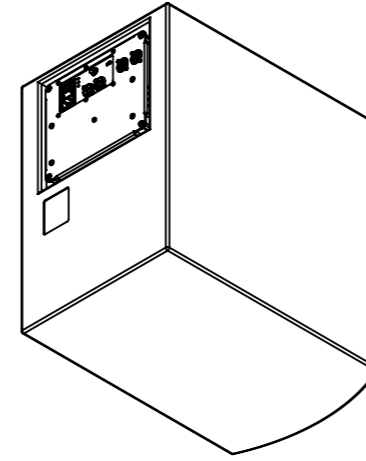
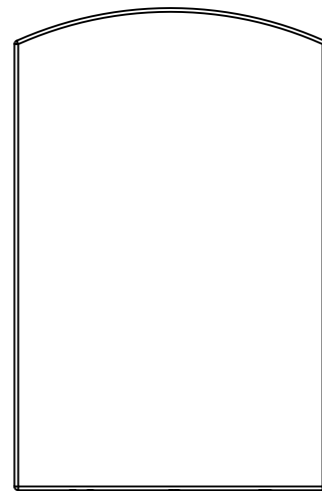
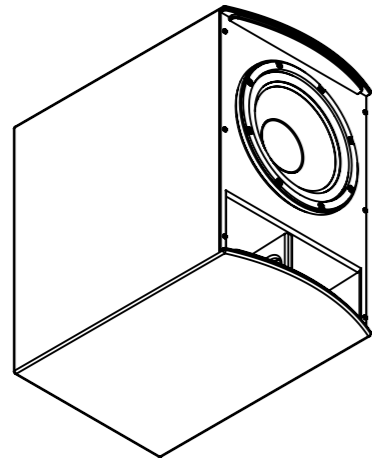
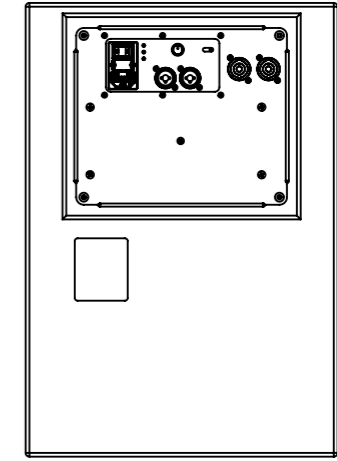
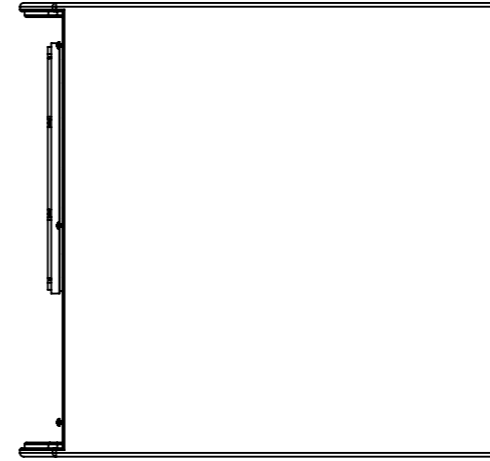
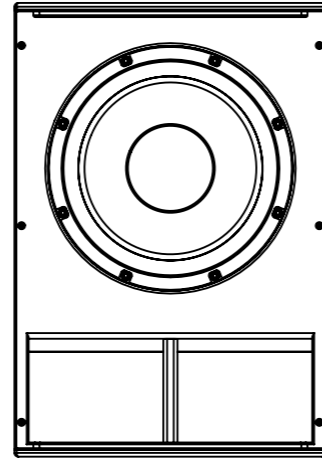
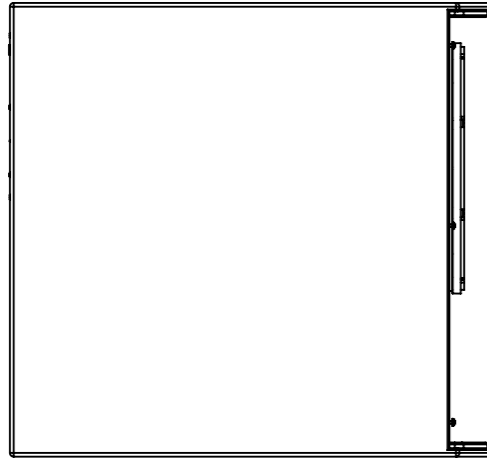
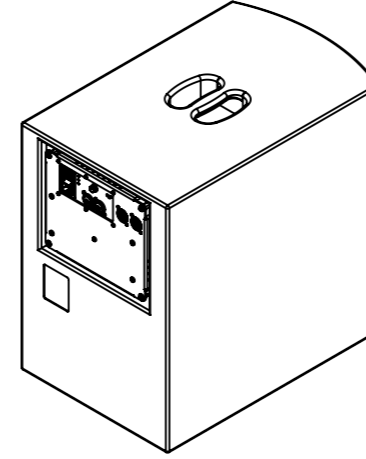
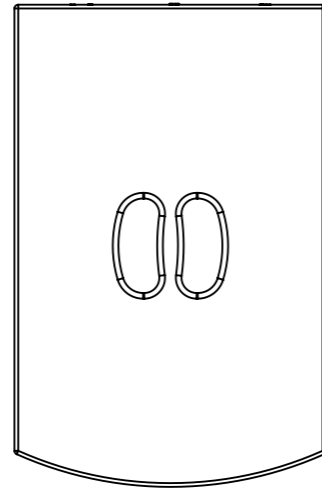
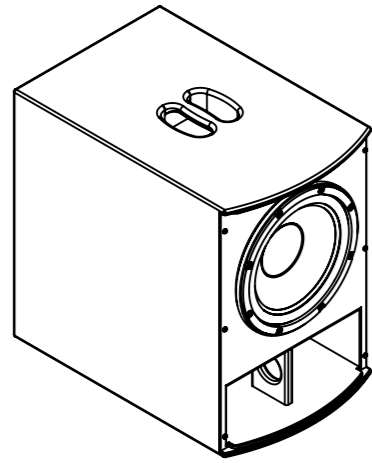
A3 Sheet Scale: 1:8

Drawn By: Mike Igglesden

22/05/2023

Filename:

SB10A-F1-TD=T0148-00



Funktion-One Research LTD
 Hoyle, Beare Green, Dorking, Surrey, RH5 4PS, UK
 mail@funktion-one.com +44 (0)1306 712820

Sheet: No Grille

Funktion-One Product Technical Drawing

A3 Sheet Scale: 1:8

Filename:

Drawn By: Mike Igglesden

22/05/2023

SB10A-F1-TD=T0148-00