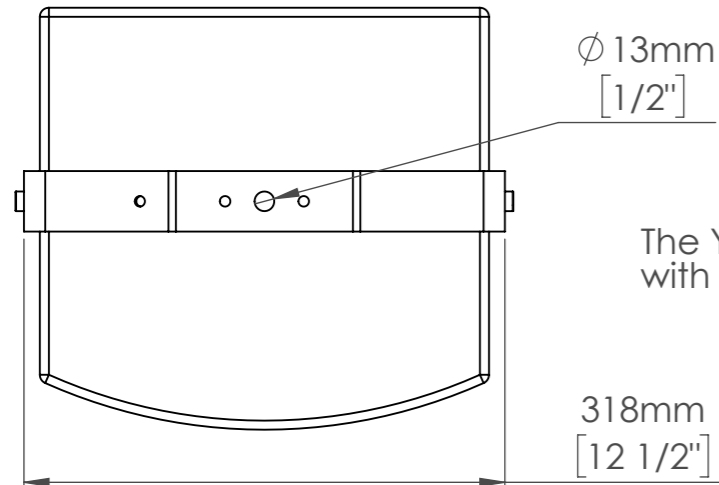
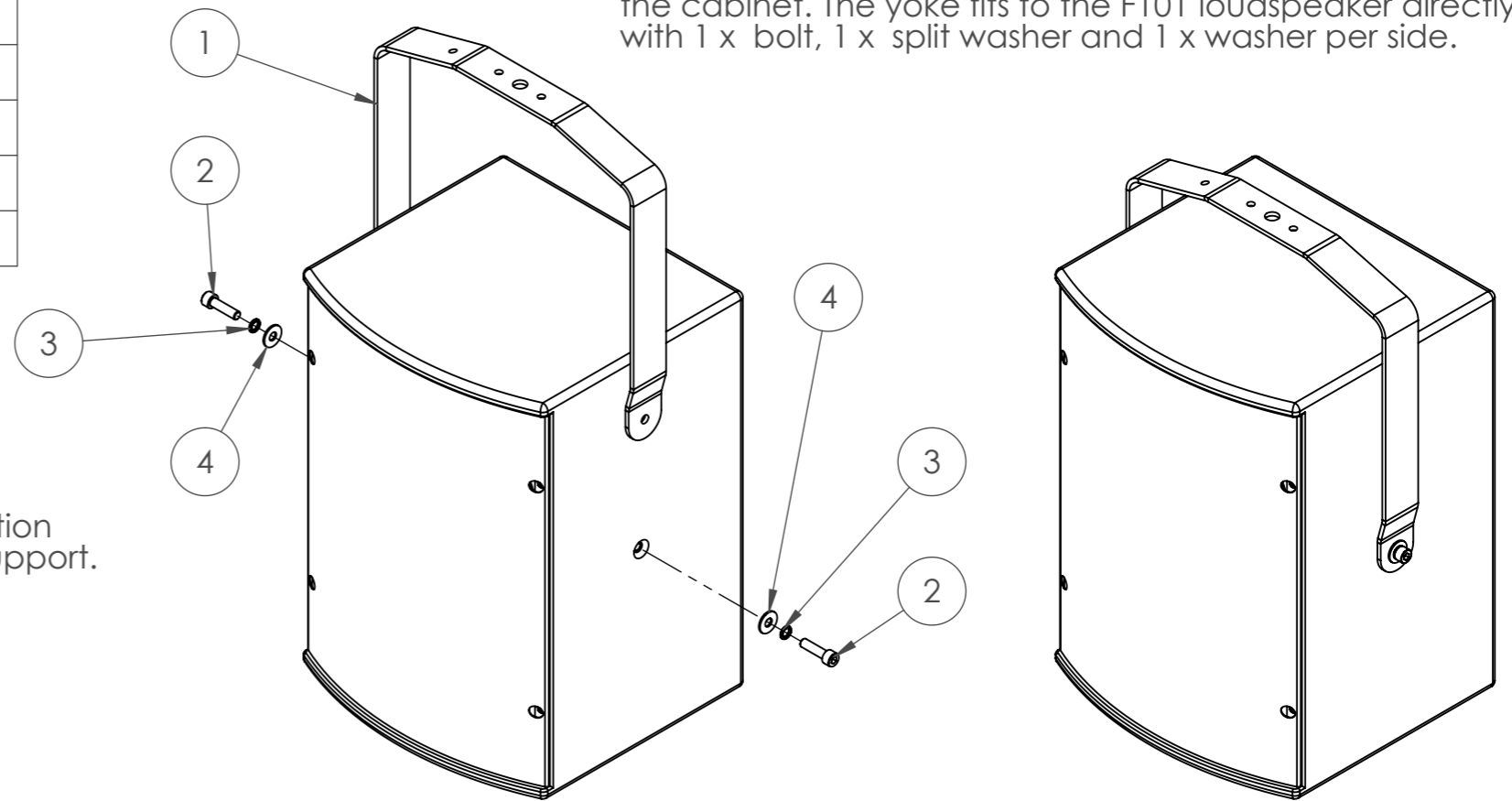


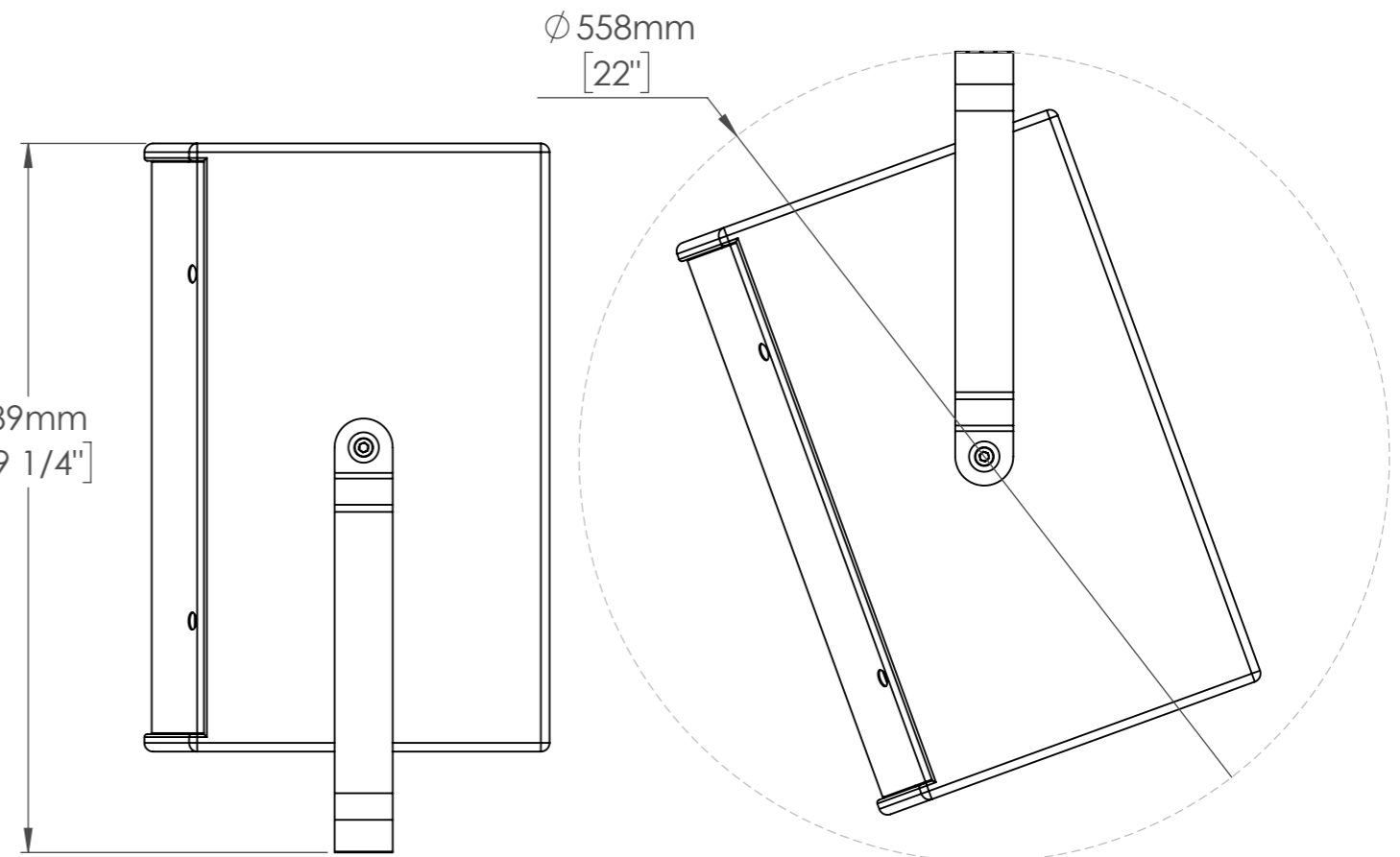
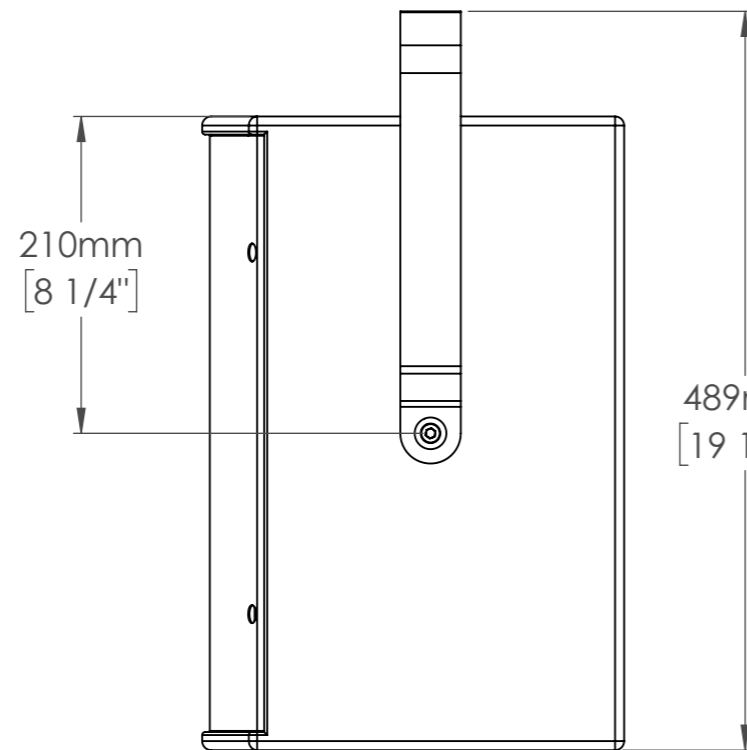
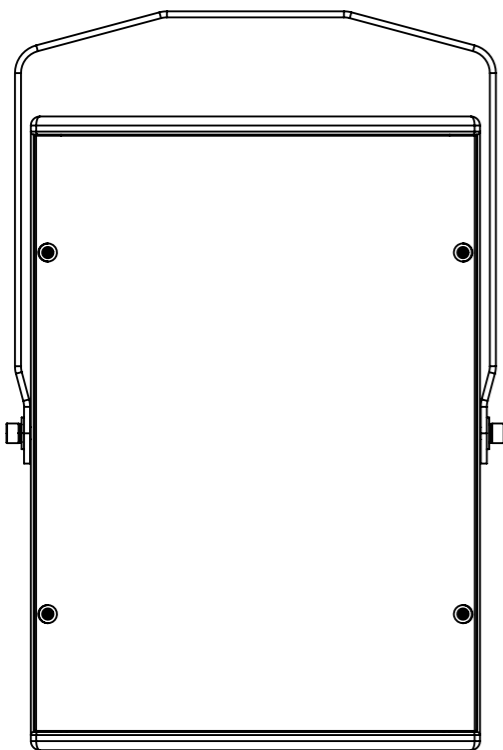
ITEM	DESCRIPTION	QUANTITY
1	F101 YOKE	1
2	M8 X 25mm HEX BOLT	2
3	M8 C-FORM WASHER	2
4	M8 SPLIT WASHER	2



The Yoke provides 360° of rotation with top down or bottom up support.



To mount Yoke, remove 2 x M8 blanking bolts on the side of the cabinet. The yoke fits to the F101 loudspeaker directly with 1 x bolt, 1 x split washer and 1 x washer per side.



Funktion-One Research LTD
Hoyle, Beare Green, Dorking, Surrey, RH5 4PS, UK
mail@funktion-one.com +44 (0)1306 712820

Sheet: Detail Drawing

Funktion-One Accessory Drawing

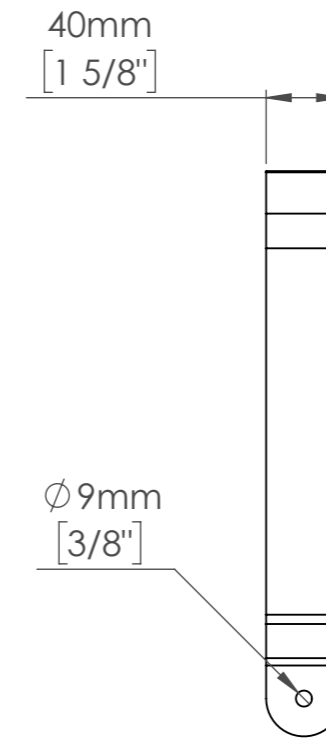
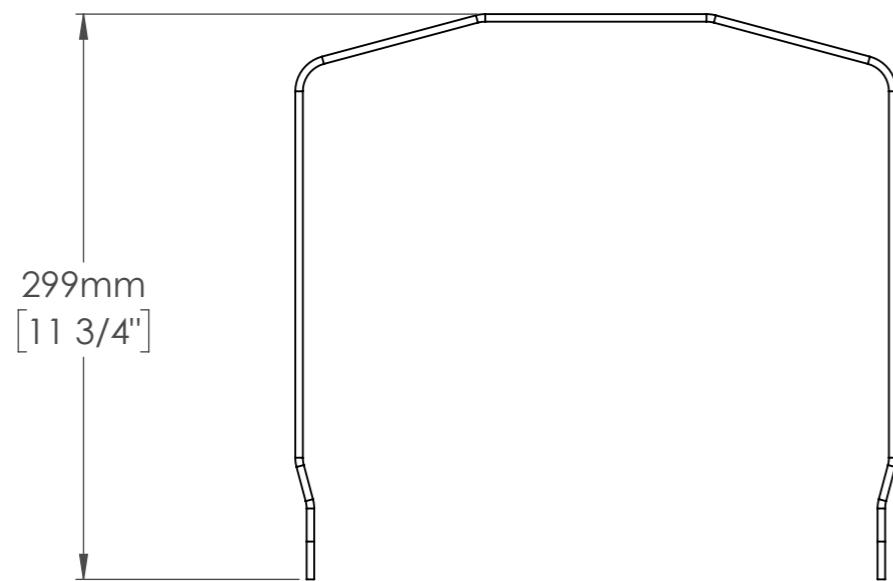
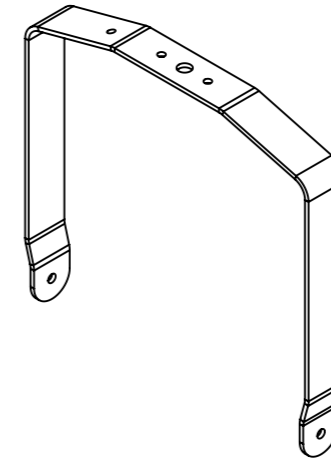
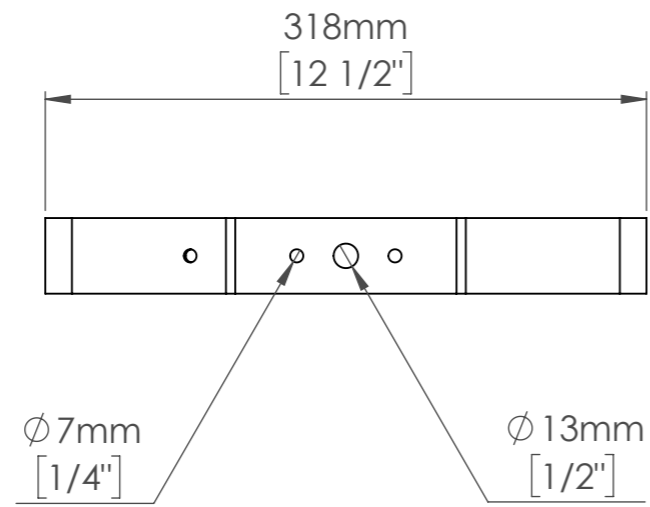
A3 Sheet Scale: 1:5

Filename:

Drawn By: Mike Igglesden

26/04/2023

YK-F101-F1-AD=T0058-01



Funktion-One Research LTD
 Hoyle, Beare Green, Dorking, Surrey, RH5 4PS, UK
 mail@funktion-one.com +44 (0)1306 712820

Sheet: Technical Drawing

Funktion-One Accessory Drawing

A3 Sheet Scale: 1:4

Filename:

Drawn By: Mike Igglesden

26/04/2023

YK-F101-F1-AD=T0058-01