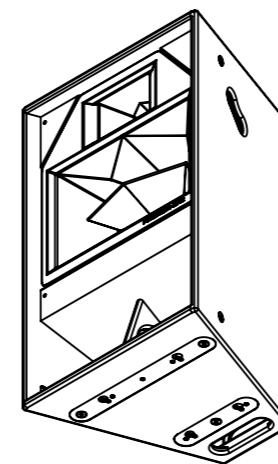
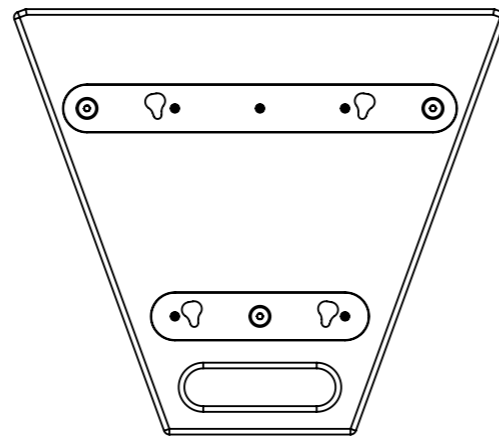
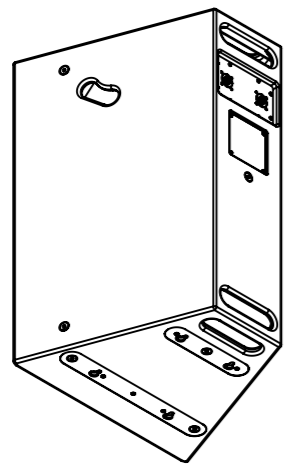
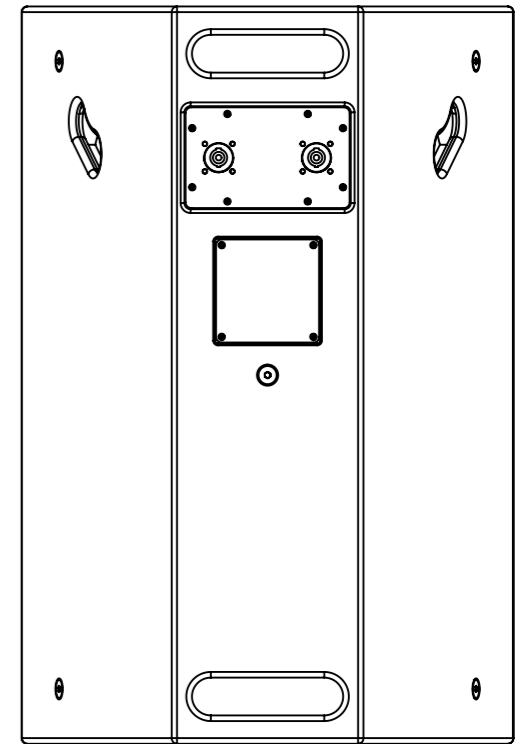
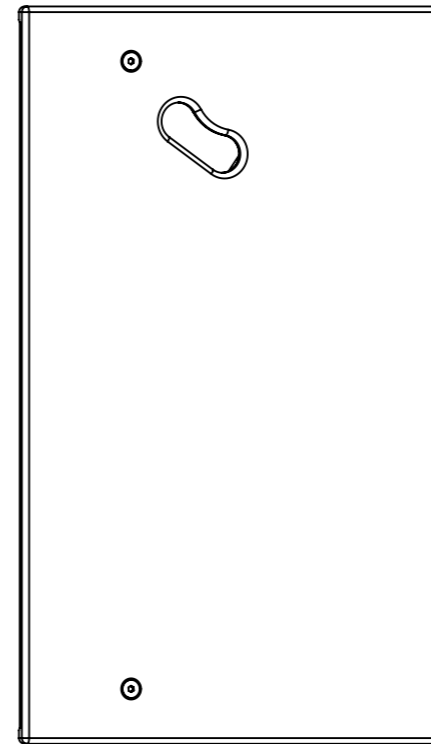
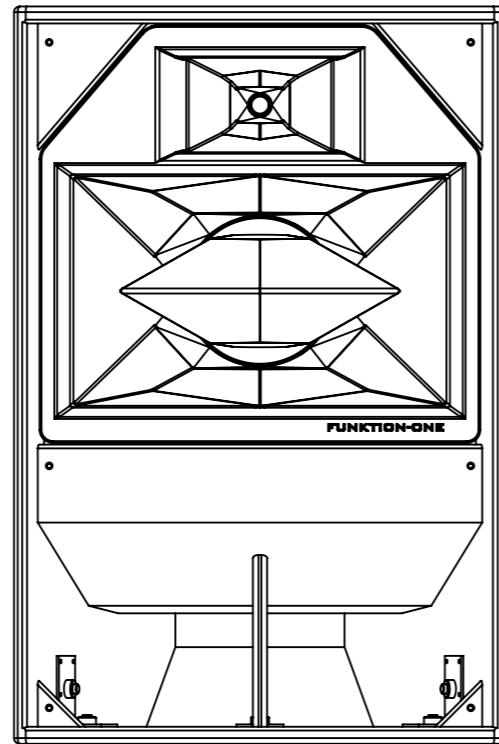
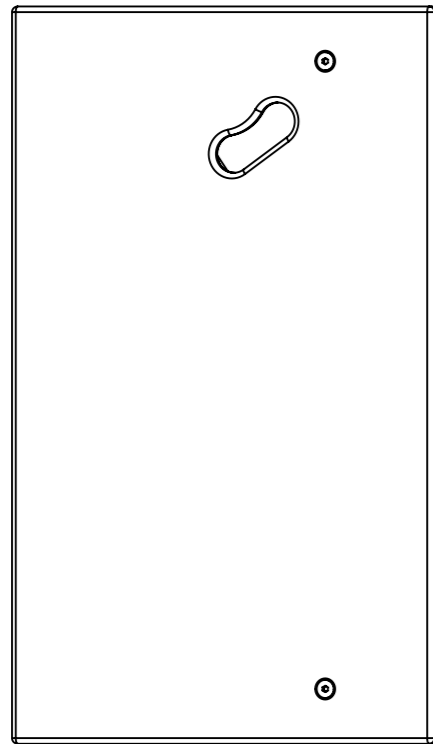
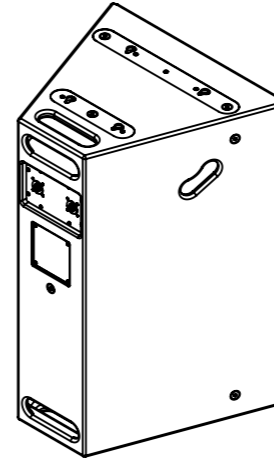
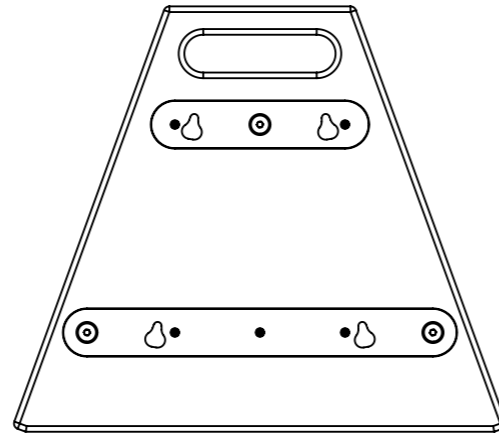
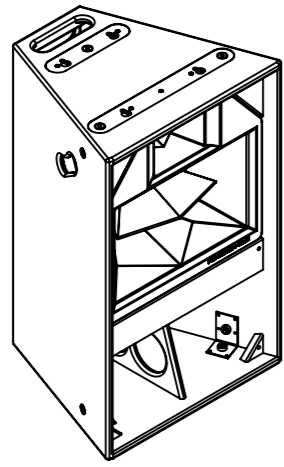


Funktion-One Research LTD
 Hoyle, Beare Green, Dorking, Surrey, RH5 4PS, UK
 mail@funktion-one.com +44 (0)1306 712820

Sheet: Dimensions
 Funktion-One Product Technical Drawing

A3 Sheet Scale: 1:8
 Filename:

Drawn By: Mike Igglesden 15/01/2024
 Evo2-F1-TD=T0231-00



Funktion-One Research LTD
 Hoyle, Beare Green, Dorking, Surrey, RH5 4PS, UK
 mail@funktion-one.com +44 (0)1306 712820

Sheet: Standard
 Funktion-One Product Technical Drawing

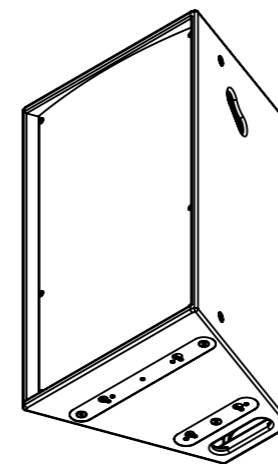
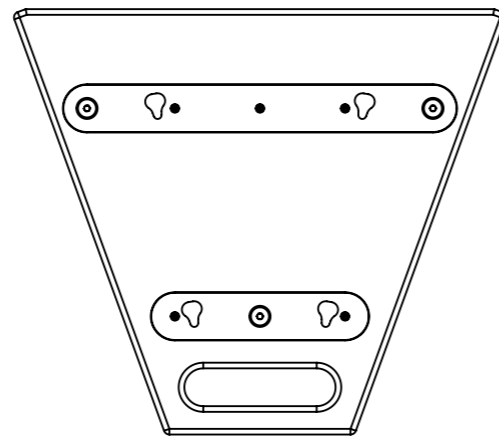
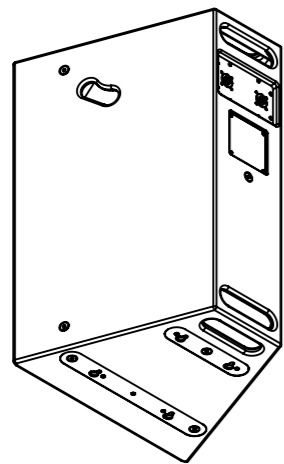
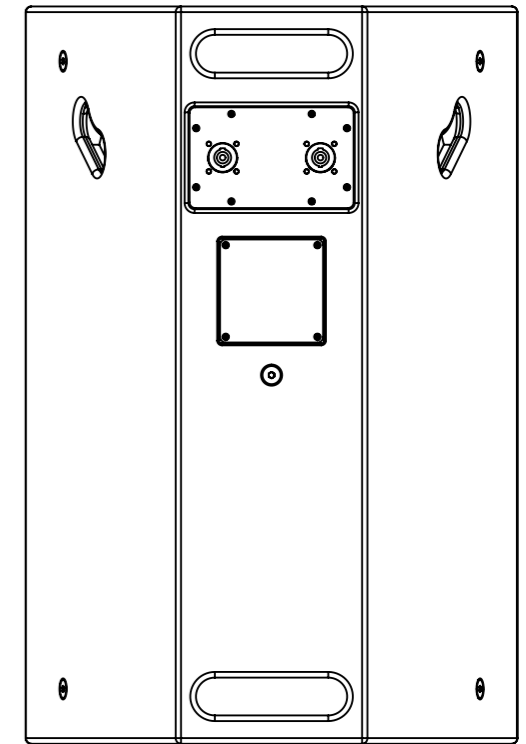
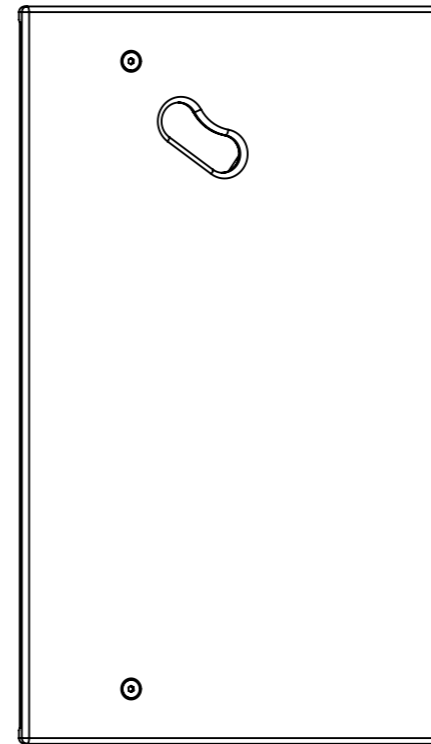
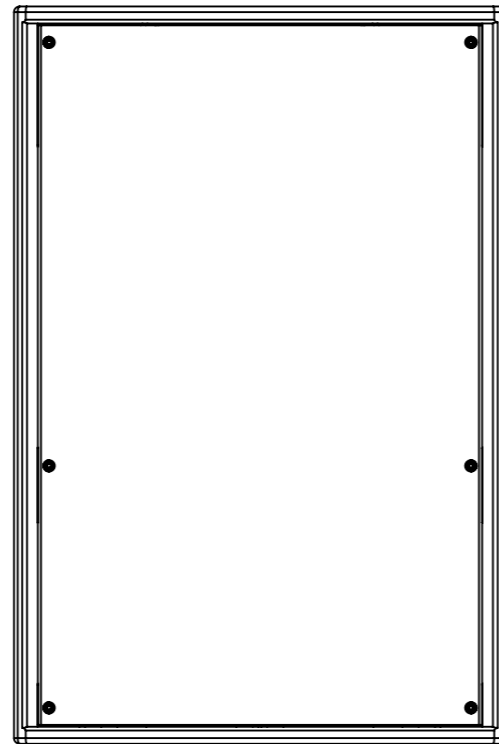
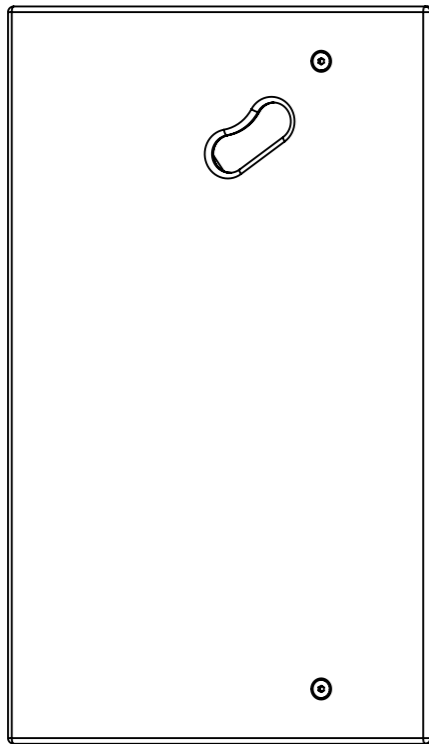
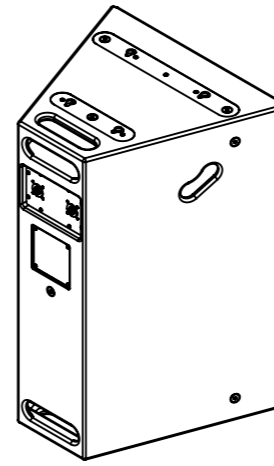
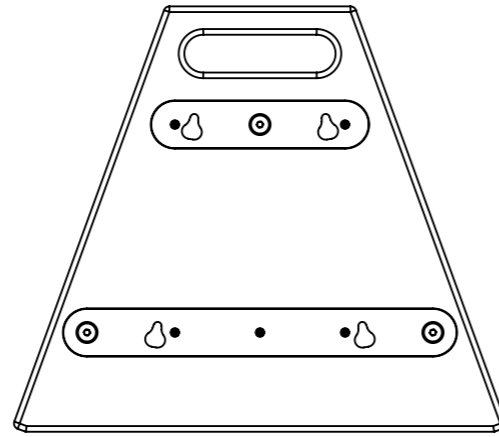
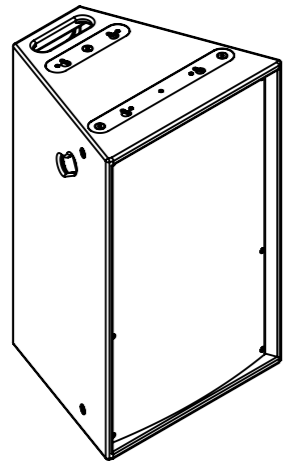
A3 Sheet Scale: 1:8

Filename:

Drawn By: Mike Igglesden

15/01/2024

Evo2-F1-TD=T0231-00



Funktion-One Research LTD
 Hoyle, Beare Green, Dorking, Surrey, RH5 4PS, UK
 mail@funktion-one.com +44 (0)1306 712820

Sheet: Grille
 Funktion-One Product Technical Drawing

A3 Sheet Scale: 1:8

Drawn By: Mike Igglesden

15/01/2024

Filename:

Evo2-F1-TD=T0231-00