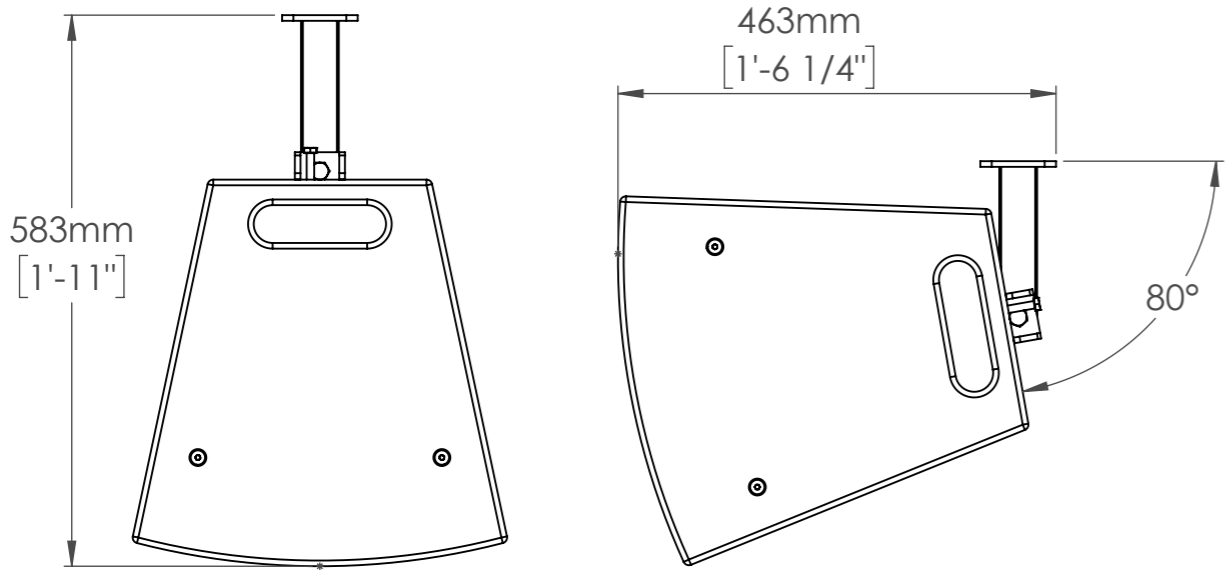
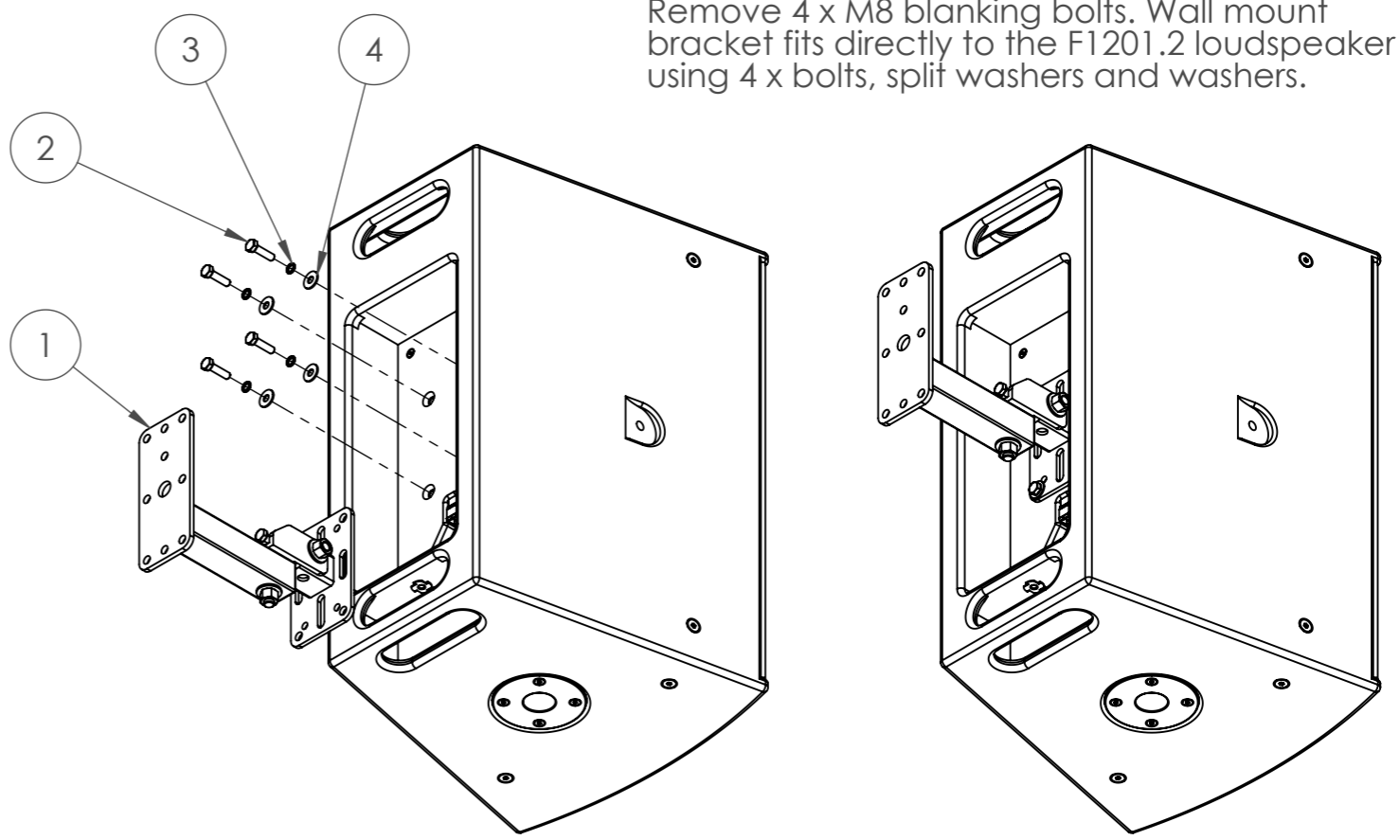
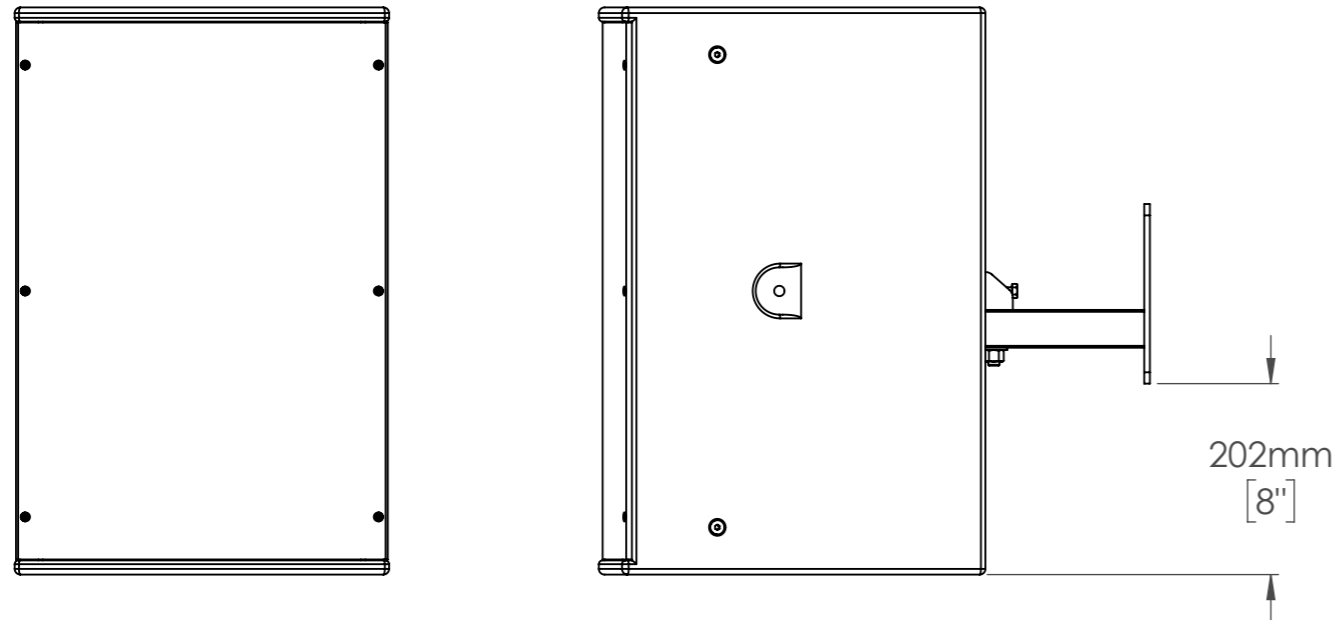


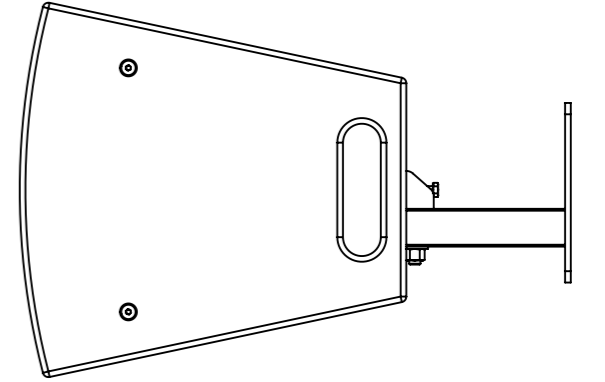
ITEM	DESCRIPTION	QUANTITY
1	F1201.2 WALL MOUNT BRACKET (WHHM100)	1
2	M8 X 30mm HEX BOLT	4
3	M8 SPLIT WASHER	4
4	M8 C-FORM WASHER	4



With no vertical tilt maximum horizontal pan is 80°. This reduces when introducing tilt. Maximum vertical tilt is 35°.



Remove 4 x M8 blanking bolts. Wall mount bracket fits directly to the F1201.2 loudspeaker using 4 x bolts, split washers and washers.



Possible to horizontally mount the F1201.2 by rotating the speaker plate on the MHHM100

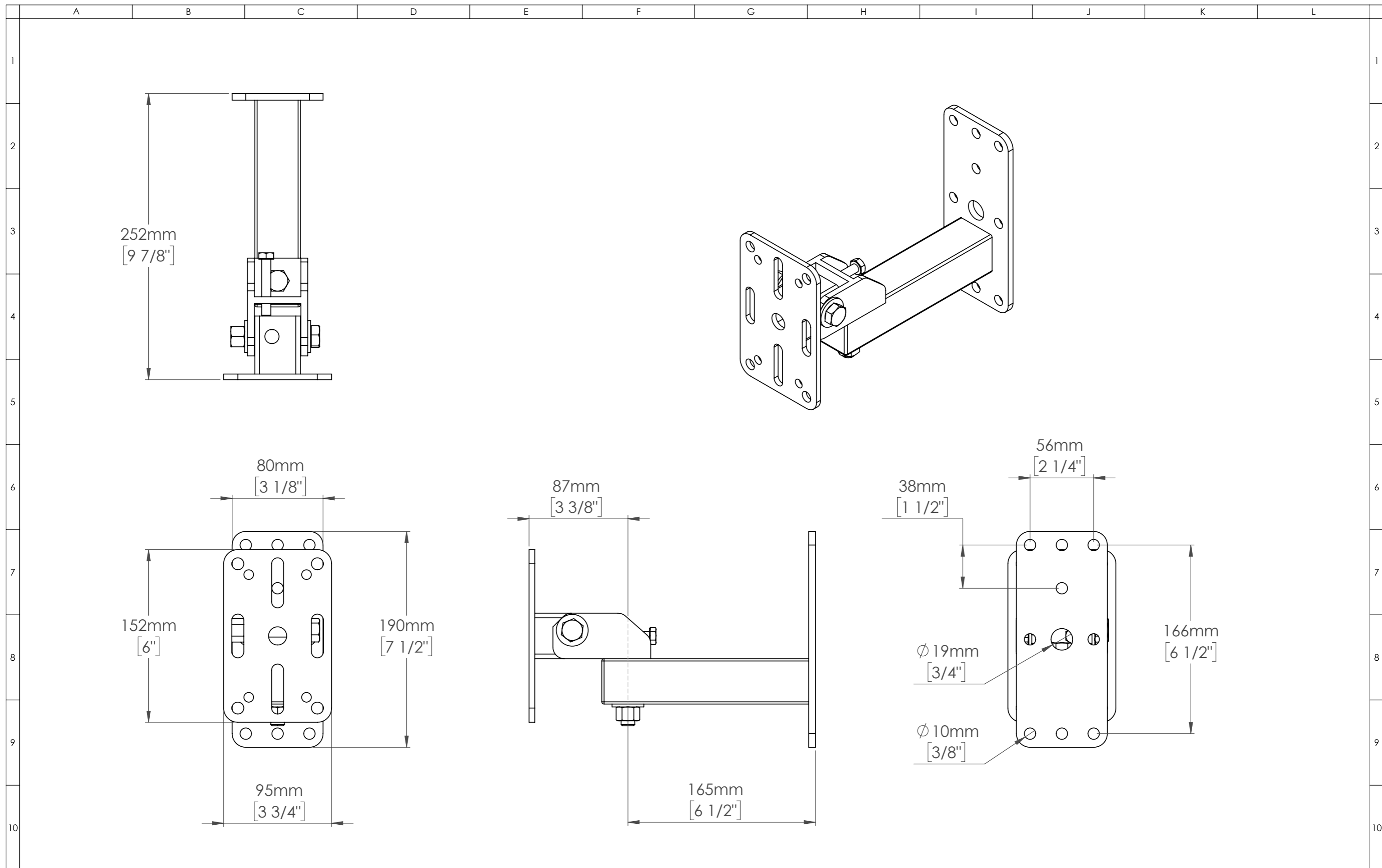
Funktion-One Research LTD
 Hoyle, Beare Green, Dorking, Surrey, RH5 4PS, UK
 mail@funktion-one.com +44 (0)1306 712820

Sheet: Detail Drawing
 Funktion-One Accessory Drawing

A3 Sheet Scale: 1:8

Drawn By: Mike Igglesden 16/05/2023

Filename: WHHM100-1201-F1-AD=T0052-00



Funktion-One Research LTD Hoyle, Beare Green, Dorking, Surrey, RH5 4PS, UK mail@funktion-one.com +44 (0)1306 712820				Sheet: Technical Drawing Funktion-One Accessory Drawing			A3 Sheet Scale: 1:3 Filename:		Drawn By: Mike Igglesden 16/05/2023		WHHM100-1201-F1-AD=T0052-00	
--	--	--	--	--	--	--	----------------------------------	--	--	--	------------------------------------	--