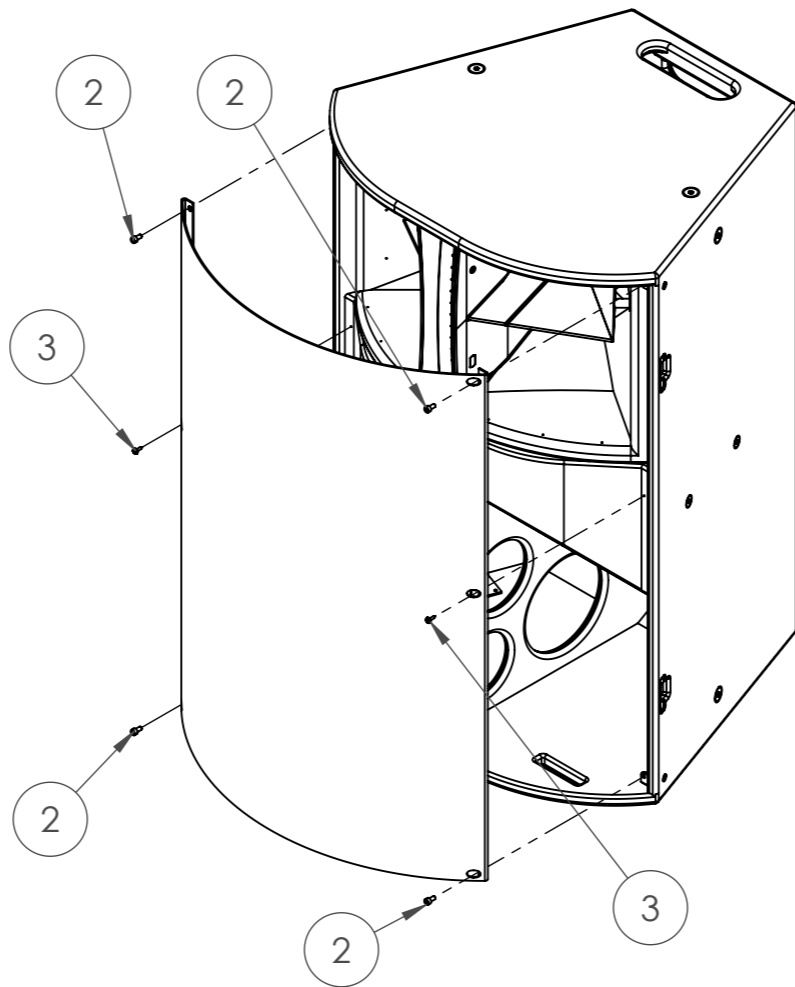
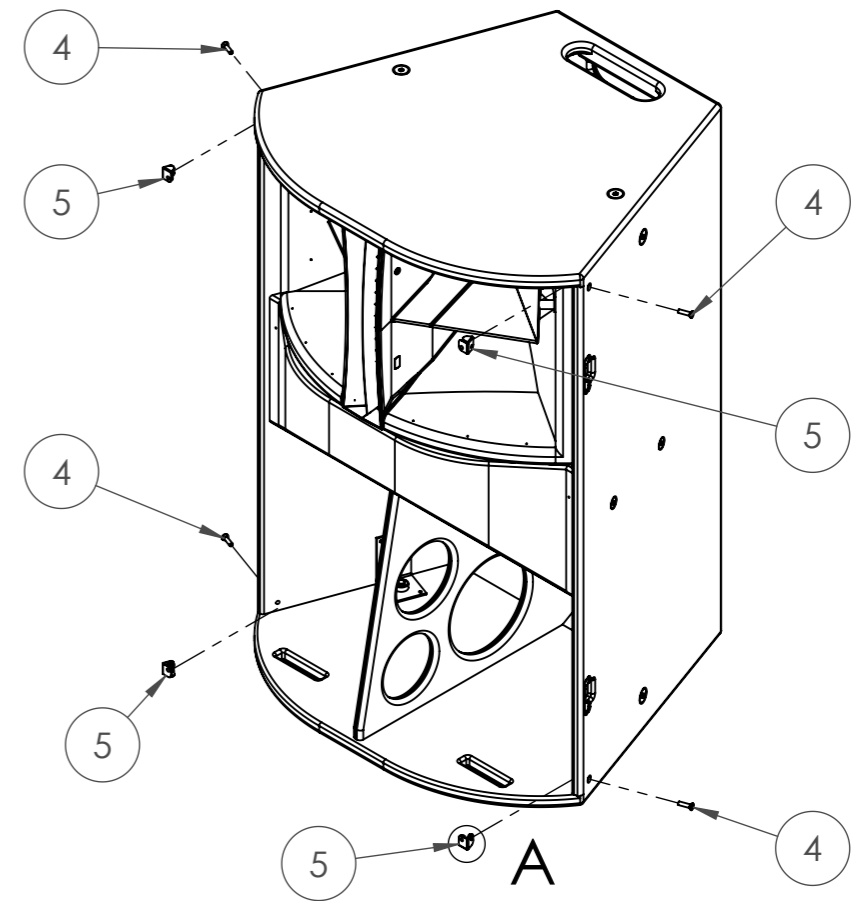


EvoX ordered with grille fitted. Hex punched 2mm steel, black powder coat and foam backed for discreet aesthetic.

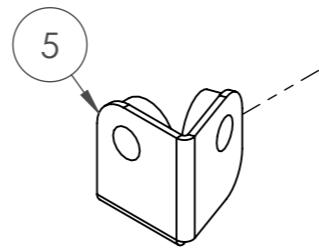


Removal and reattachment of grill with 4 x M5 x 10mm hex socket (4mm) cap head bots and 2 x 3.5mm x 16mm pozi (PZ2) pan head screws.

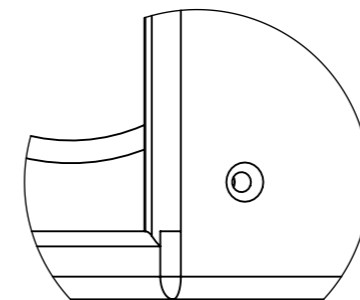


Evo X ordered without grille, but grille required to be retro fitted. 4 x Evo X grille brackets to be fitted with M5 x 20mm hex socket (4mm) counter-sunk bolts. Clearance holes for these bolts to be cleared with 5.5mm drill using the pilot holes. To ensure the hole is true, suggest using an intermediate drill, 3-4mm.

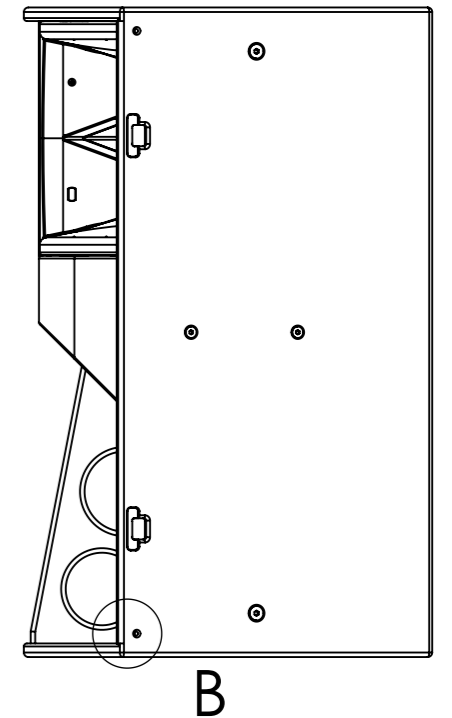
ITEM	DESCRIPTION	QUANTITY
1	EVOX GRILLE, BLACK, HEX PUNCHED, FOAM BACKED	1
2	M5 X 10mm HEX SOCKET CAP HEAD BOLT	4
3	3.5mm X 16mm POZI PAN HEAD SCREW	2
4	M5 X 20mm HEX SOCKET COUNTERSUNK HEAD BOLT	4
5	GRILLE BRACKET, 2 X M5 BUSHES	4



DETAIL A
SCALE 1 : 1



DETAIL B
SCALE 1 : 2



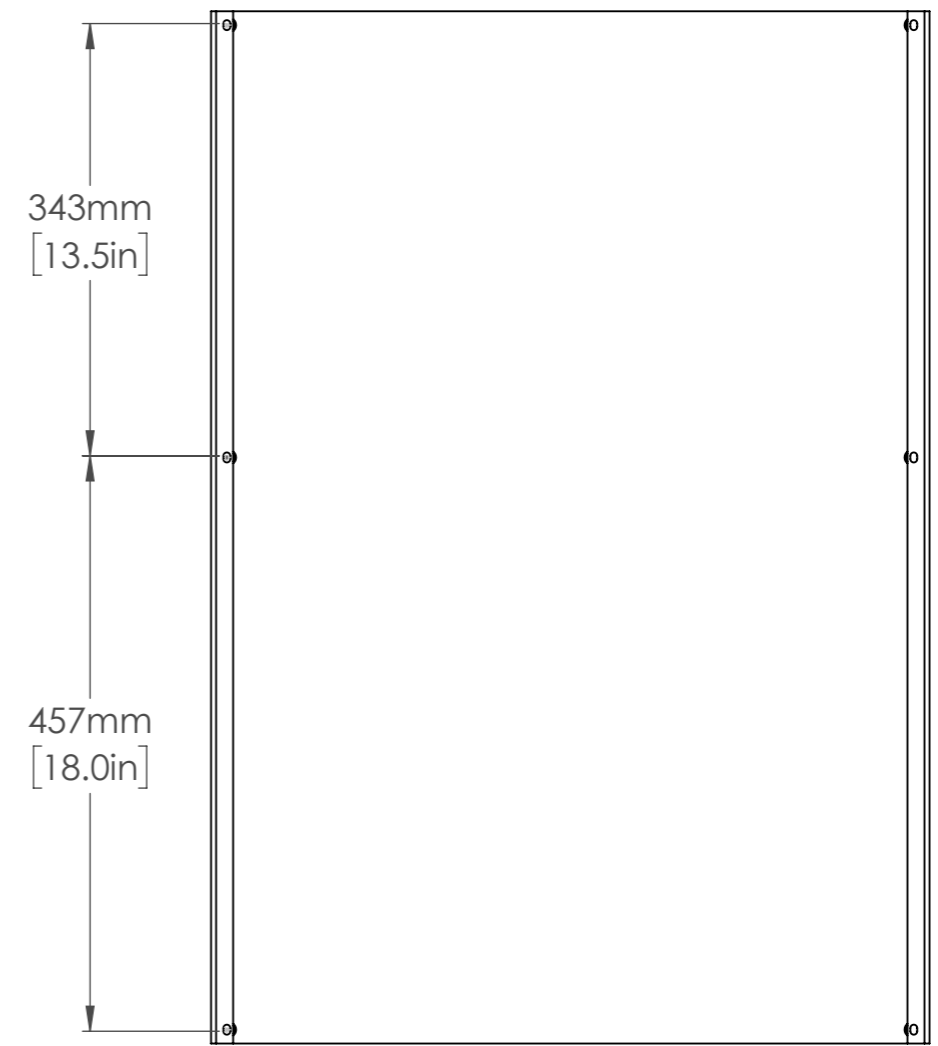
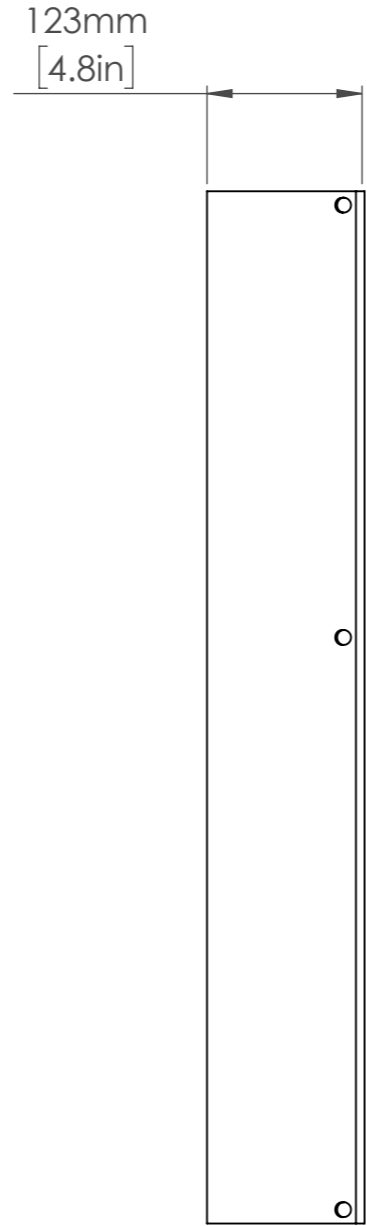
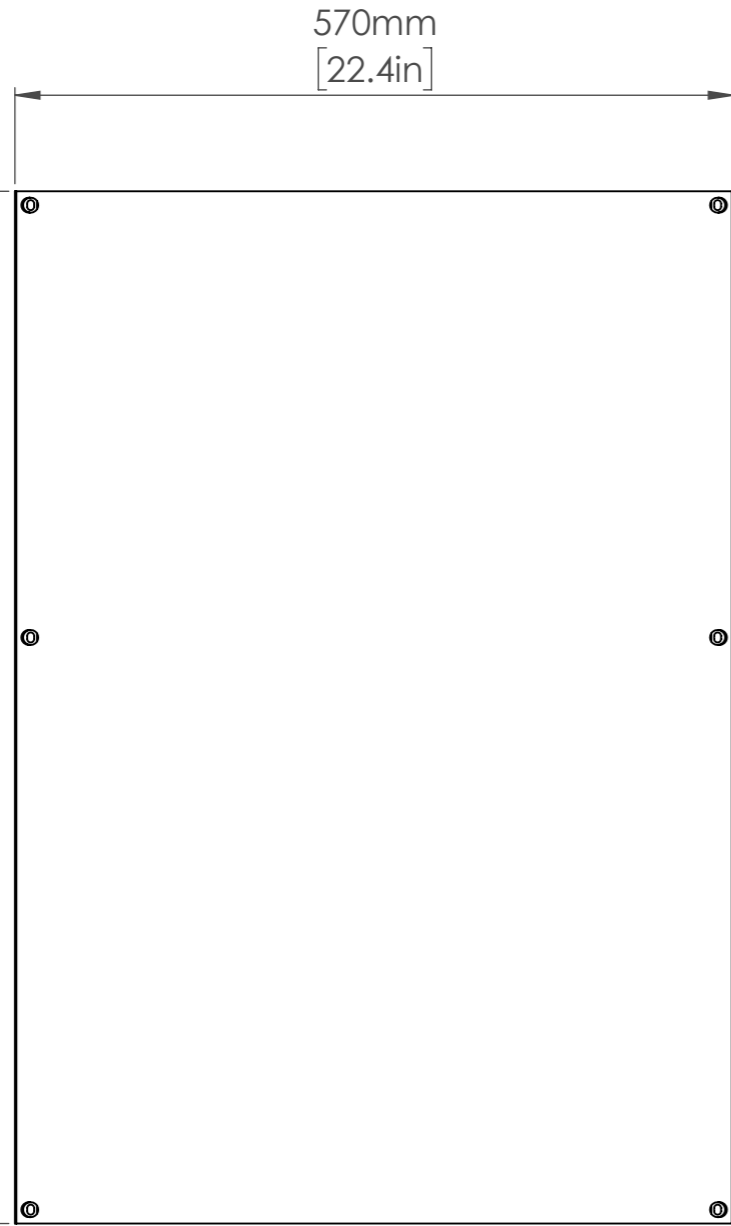
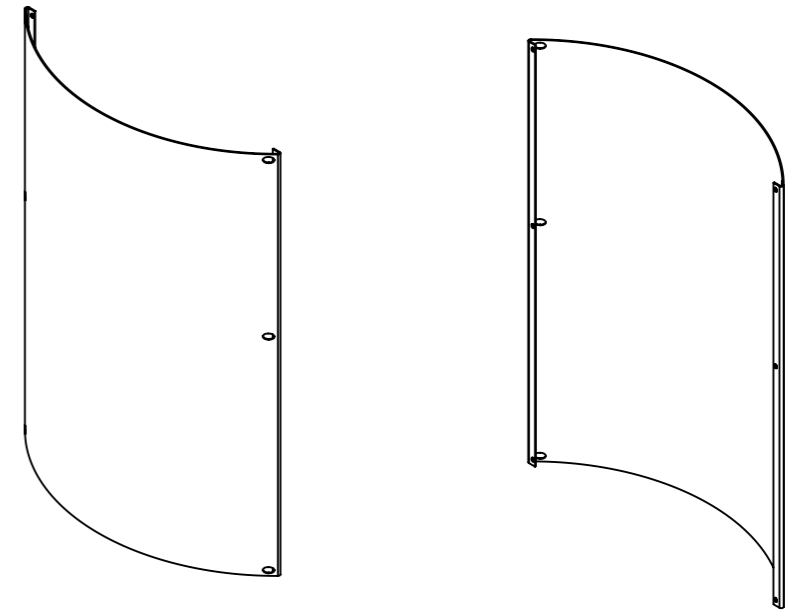
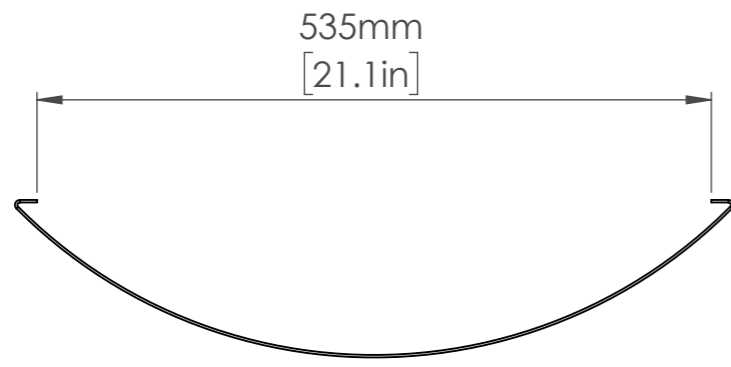
Funktion-One Research LTD
Hoyle, Beare Green, Dorking, Surrey, RH5 4PS, UK
mail@funktion-one.com +44 (0)1306 712820

Sheet:Detail View
Funktion-One Accessory Drawing

A3 Sheet Scale: 1:10
Filename:

Drawn By: Mike Igglesden 17/05/2023

GK-EX-F1-AD=T0008-01



Funktion-One Research LTD
 Hoyle, Beare Green, Dorking, Surrey, RH5 4PS, UK
 mail@funktion-one.com +44 (0)1306 712820

Sheet: Technical Drawing
 Funktion-One Accessory Drawing

A3 Sheet Scale: 1:10
 Filename:

Drawn By: Mike Igglesden 17/05/2023
GK-EX-F1-AD=T0008-01