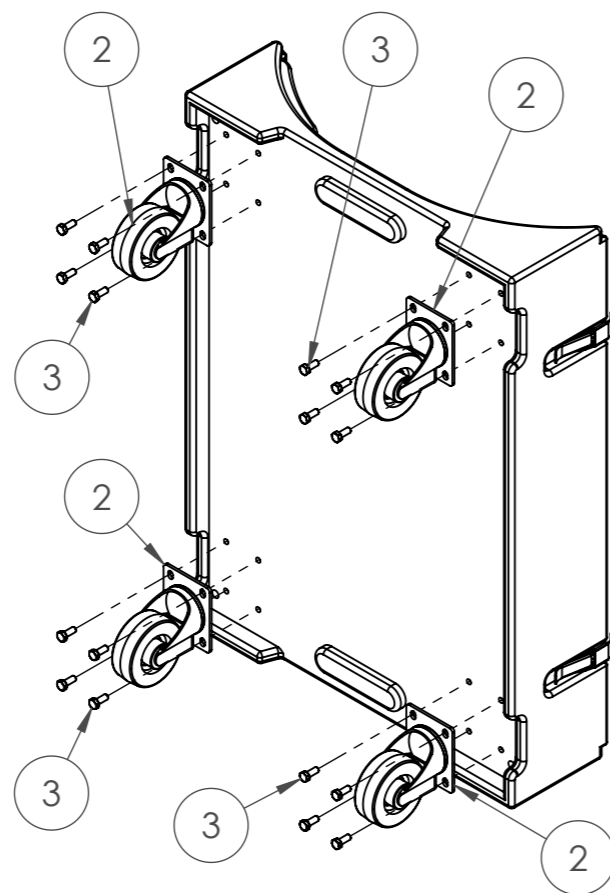
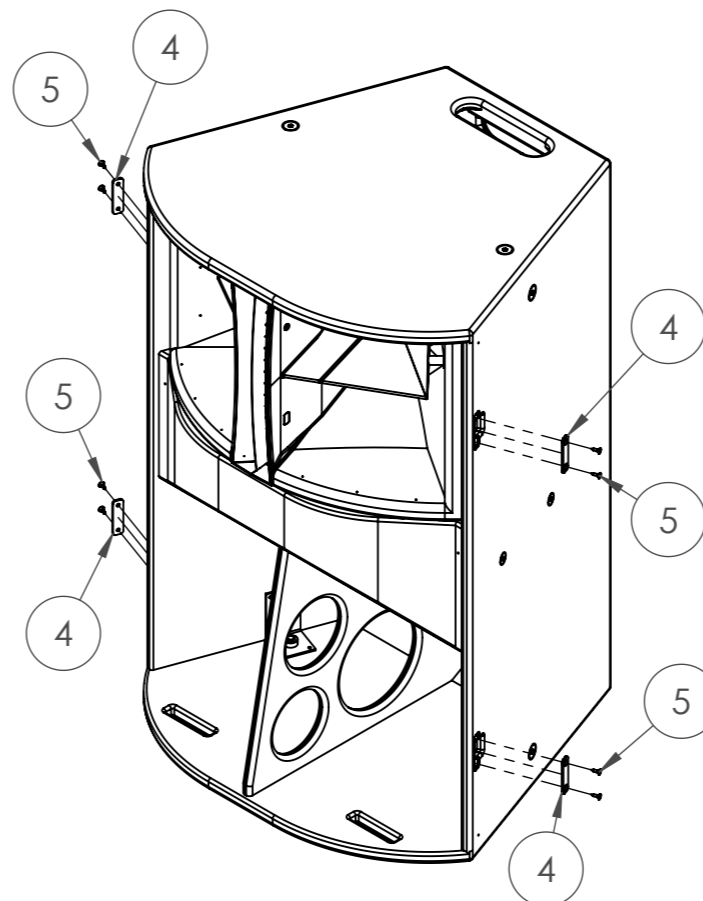


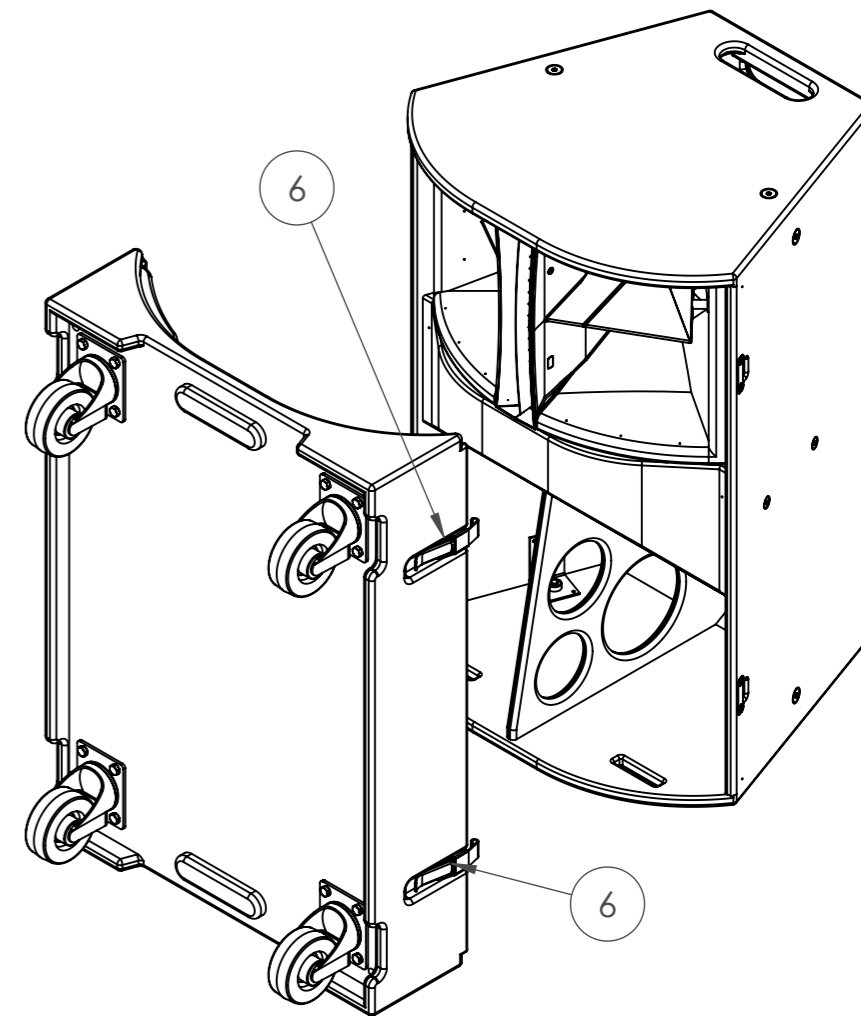
EvoX with Wheel board fitted.



EvoX packed with wheel board, but without wheels fitted. Each wheel requires 4 x M8 x 20mm Hex bolts fitted. We suggest using a contact adhesive on the bolt thread to secure bolts.



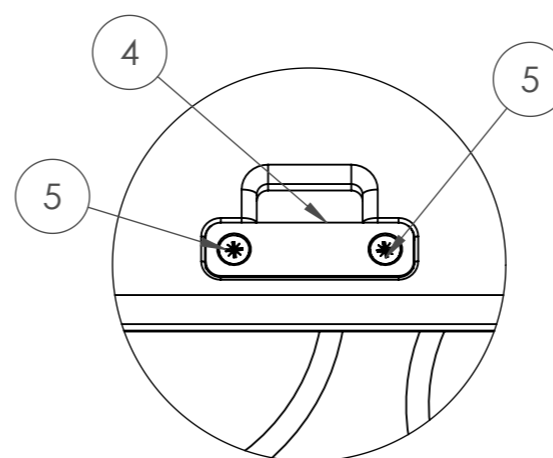
When EvoX ordered without wheel board, but required later, 4 x toggle latch keepers are to be fitted to the EvoX. There are recesses on the cabinet to receive these, they are fitted with 8 x 3.5mm x 12mm pozi (PZ2) countersink head screws.



The 4 x over centre latches hook onto the toggle latch keepers on the EvoX. Should these work loose over time, the latches can be readjusted on their mounting plate for a secure fit.

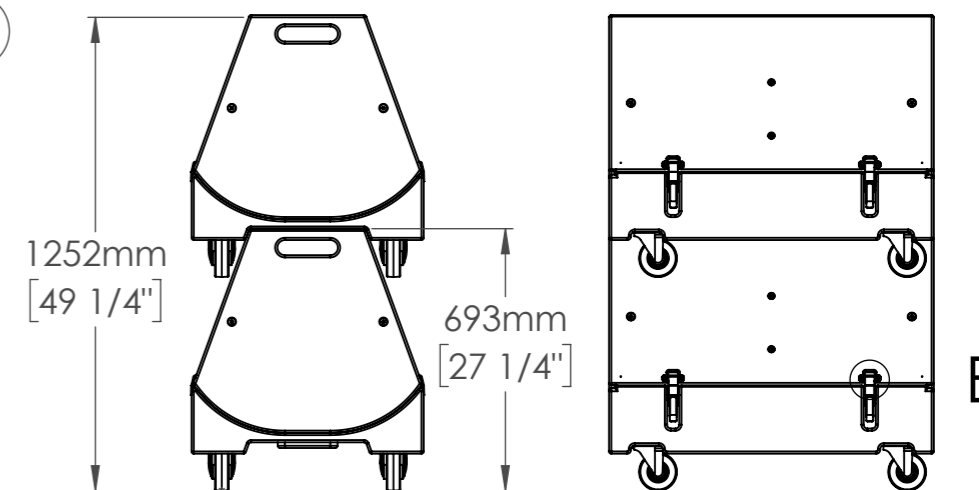
ITEM	DESCRIPTION	QUANTITY
1	EVOX WHEEL BOARD	1
2	4" CASTOR WHEEL	4
3	M8 X 20mm HEX BOLT	16
4	TOGGLE LATCH KEEPERS	4
5	3.5mm X 12mm POZI COUNTERSUNK HEAD SCREW	8
6	OVER CENTRE LATCHES*	4

* fitted to wheelboard



DETAIL E

SCALE 1 : 2



E

Funktion-One Research LTD
 Hoyle, Beare Green, Dorking, Surrey, RH5 4PS, UK
 mail@funktion-one.com +44 (0)1306 712820

Sheet:Detail Drawing

Funktion-One Accessory Drawing

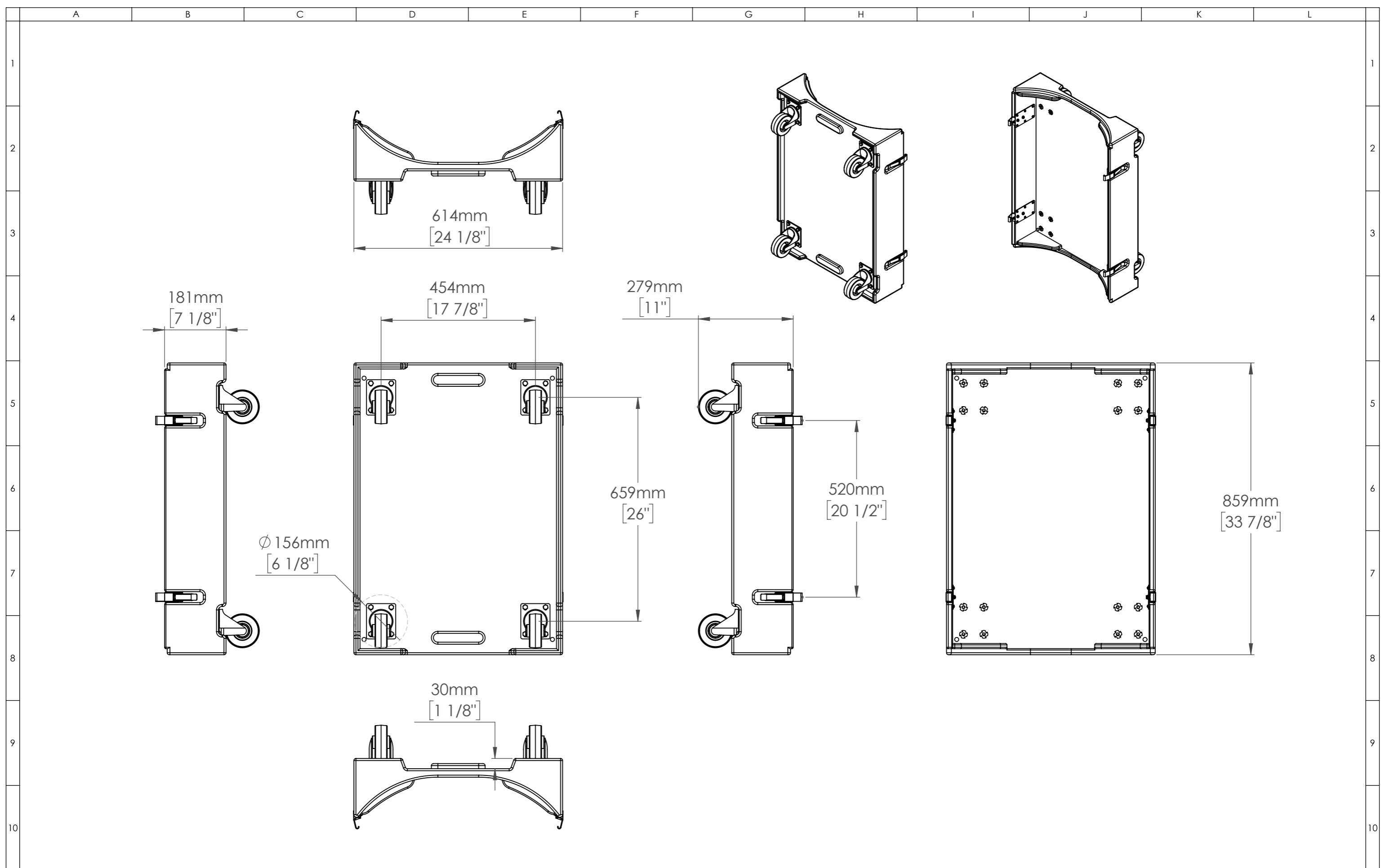
A3 Sheet Scale: 1:10

Filename:

Drawn By: Mike Igglesden

17/05/2023

WB-EX-F1-AD=T0007-01



Funktion-One Research LTD Hoyle, Beare Green, Dorking, Surrey, RH5 4PS, UK mail@funktion-one.com +44 (0)1306 712820			Sheet: Technical Drawing Funktion-One Accessory Drawing			A3 Sheet Scale: 1:10 Filename:			Drawn By: Mike Igglesden 17/05/2023 WB-EX-F1-AD=T0007-01		
--	--	--	--	--	--	-----------------------------------	--	--	---	--	--