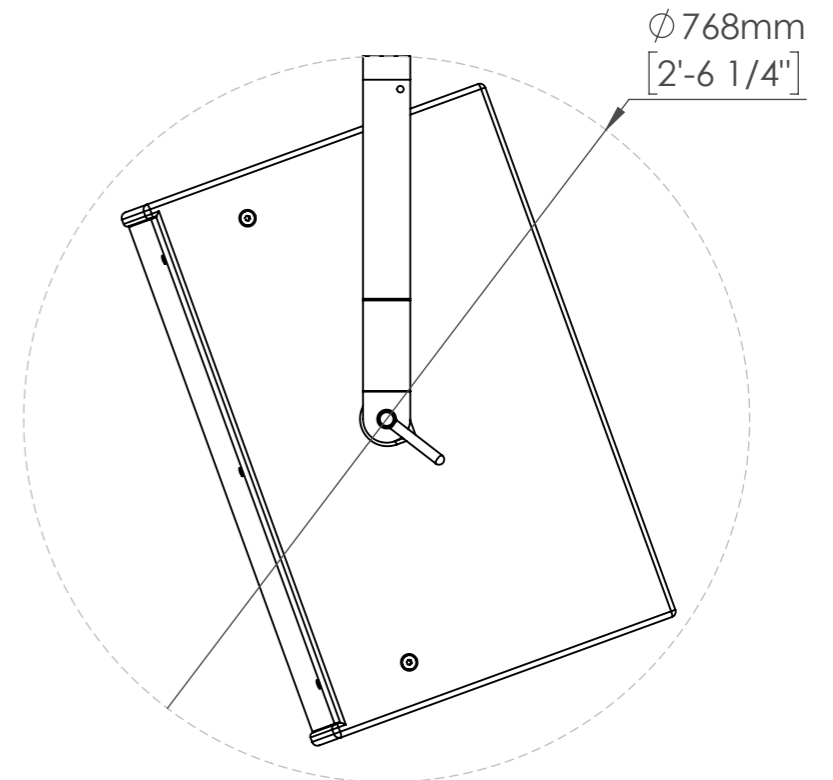
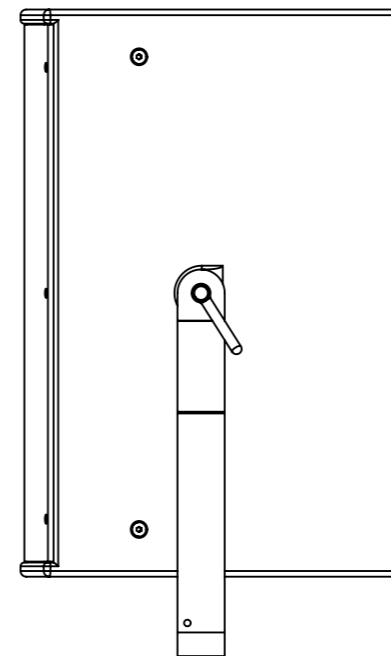
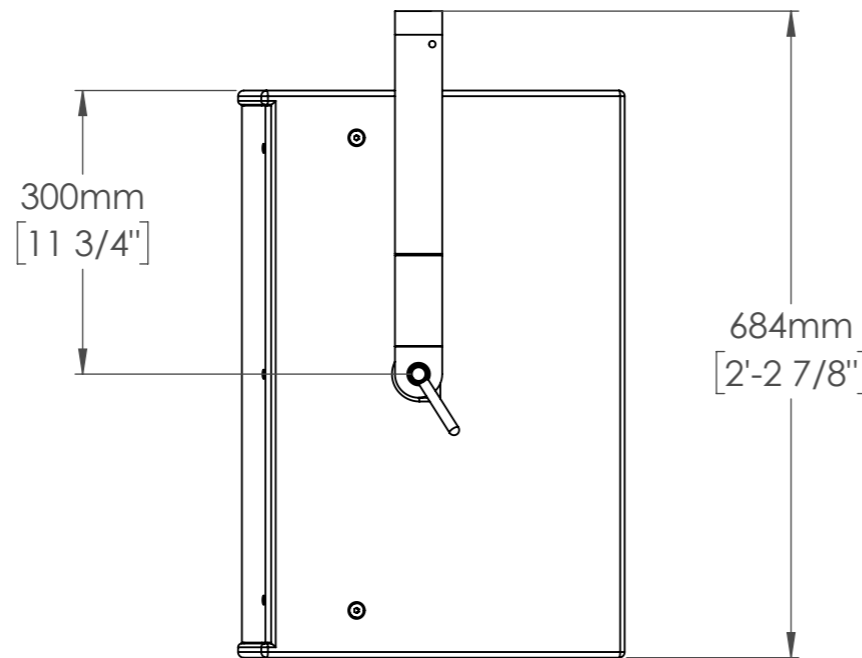
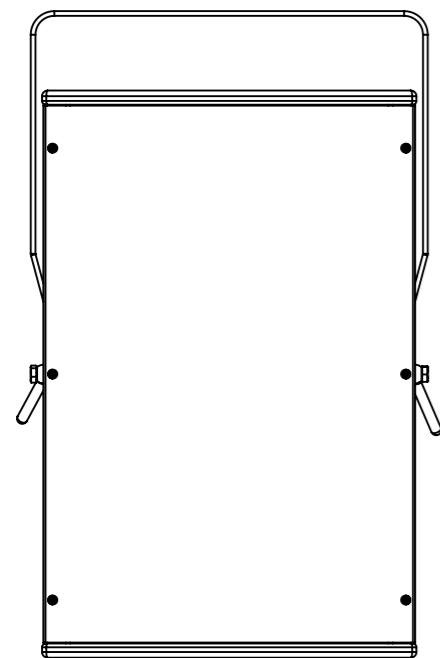
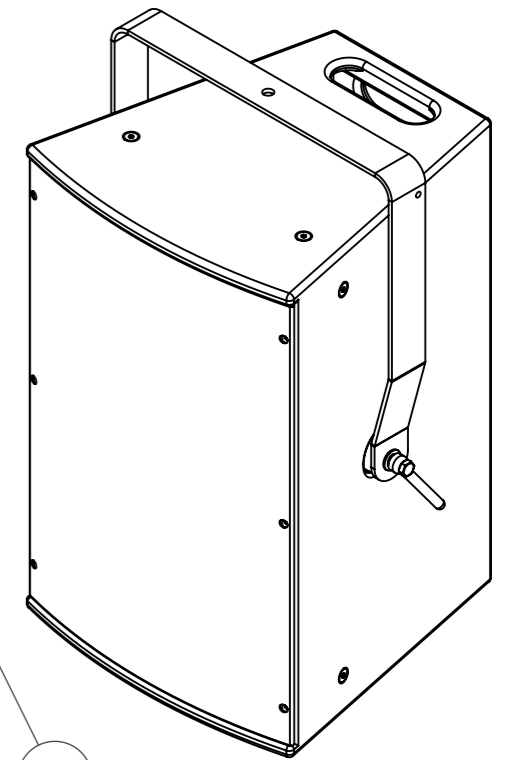
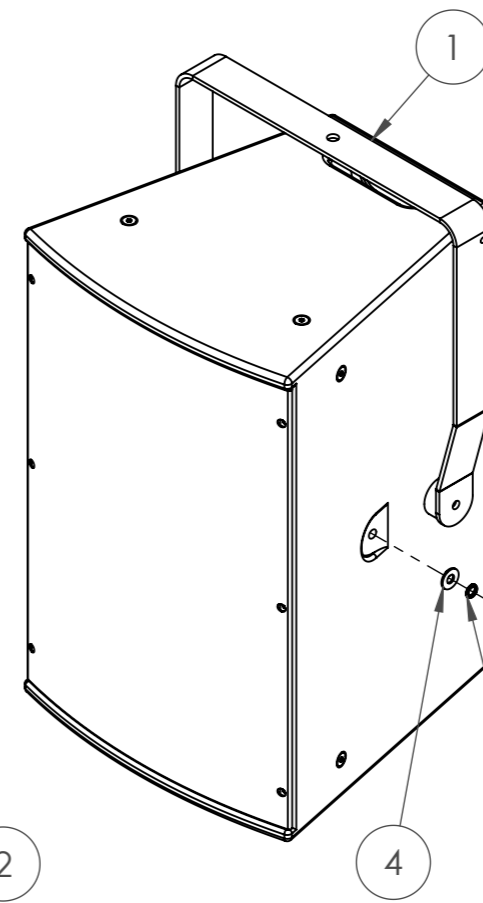
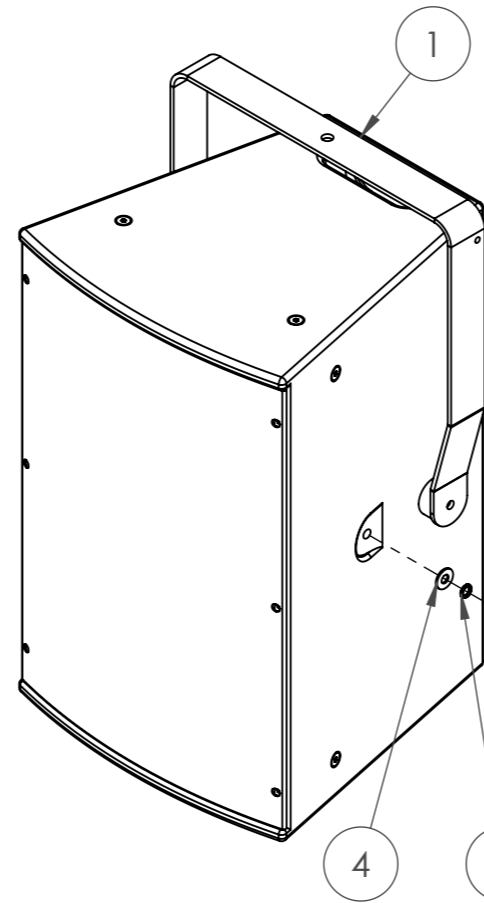
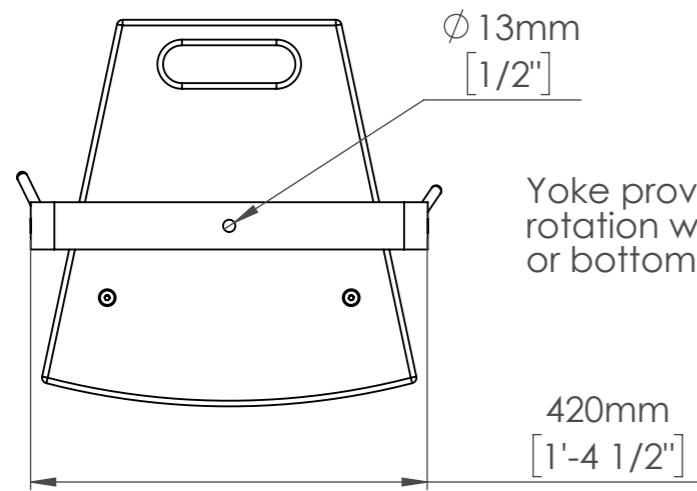


ITEM	DESCRIPTION	QUANTITY
1	F1201 YOKE	1
2	M10 CAPTIVE HEX BOLT (INSTAL) OR M10 CAPTIVE LEVER BOLT (TOUR)	2
3	M10 SPLIT WASHER	2
4	M10 C-FORM WASHER	2

HEX BOLT INSTAL OPTION

LEVER BOLT TOUR OPTION

Yoke fits directly to F1201 loudspeaker directly using 1 x bolt, 1 x split washer and 1 x washer per side.



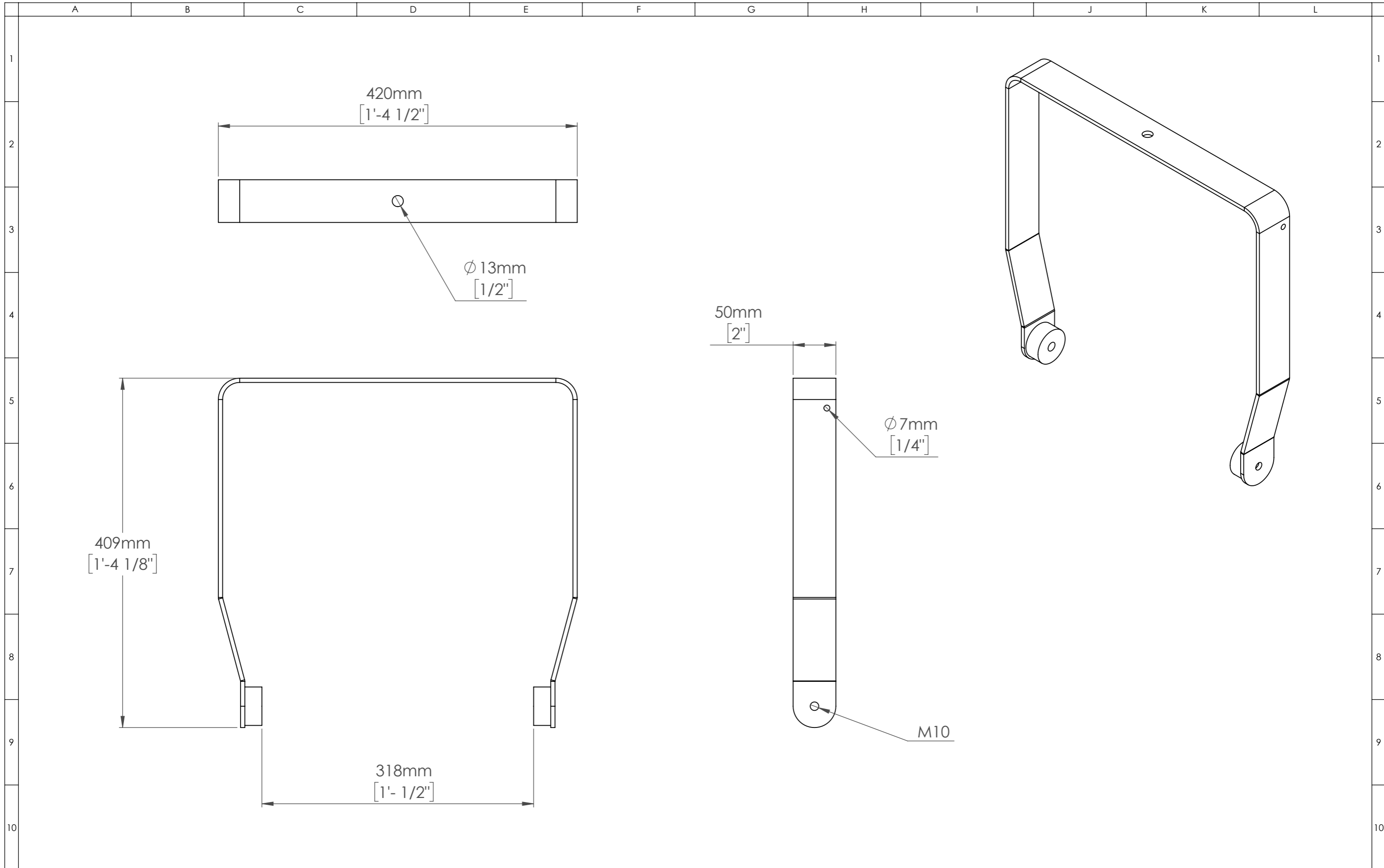
Funktion-One Research LTD
 Hoyle, Beare Green, Dorking, Surrey, RH5 4PS, UK
 mail@funktion-one.com +44 (0)1306 712820

Sheet: Detail Drawing
 Funktion-One Accessory Drawing

A3 Sheet Scale: 1:8
 Filename:

Drawn By: Mike Igglesden 16/05/2023

YK-F1201-F1-AD=T0051-00



Funktion-One Research LTD
 Hoyle, Beare Green, Dorking, Surrey, RH5 4PS, UK
 mail@funktion-one.com +44 (0)1306 712820

Sheet: Technical Drawing
 Funktion-One Accessory Drawing

A3 Sheet Scale: 1:4

Drawn By: Mike Igglesden 16/05/2023

Filename:

YK-F1201-F1-AD=T0051-00