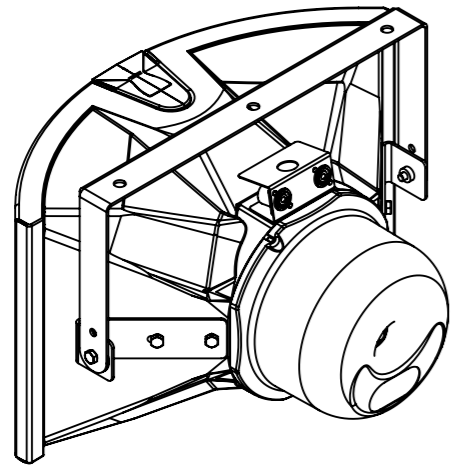
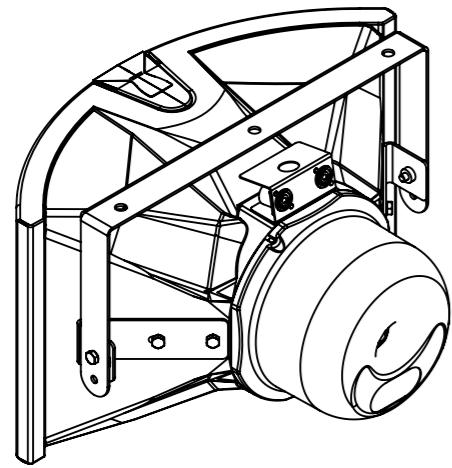
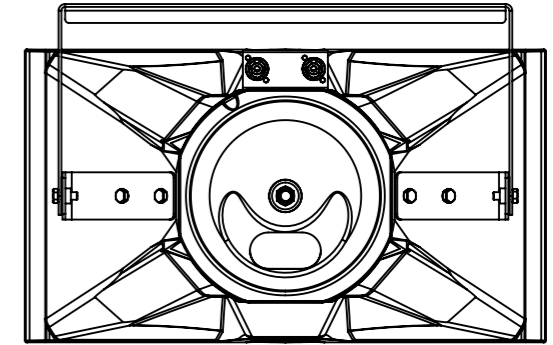
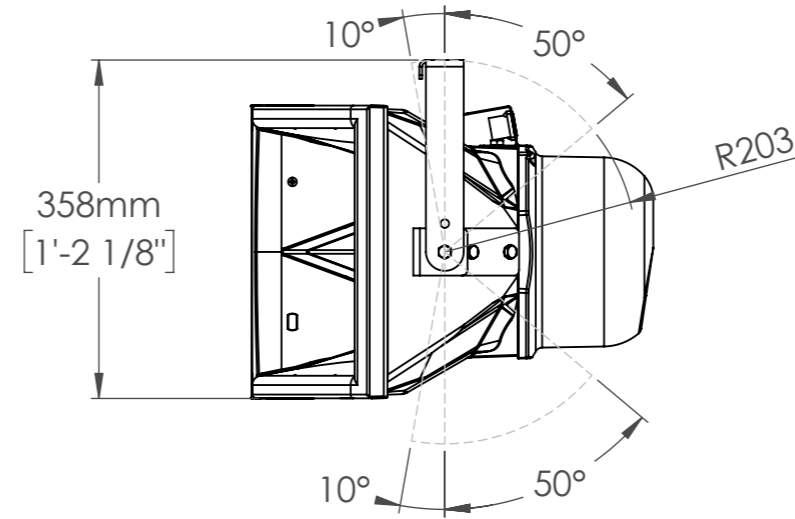


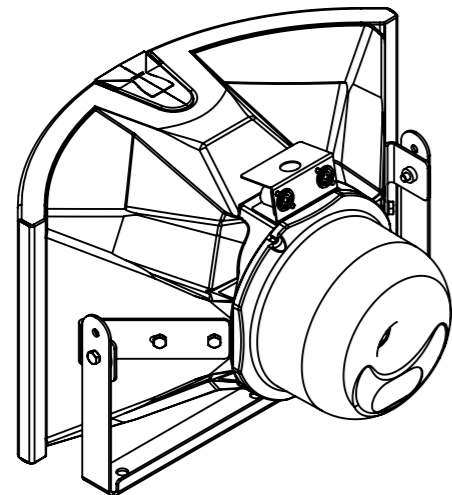
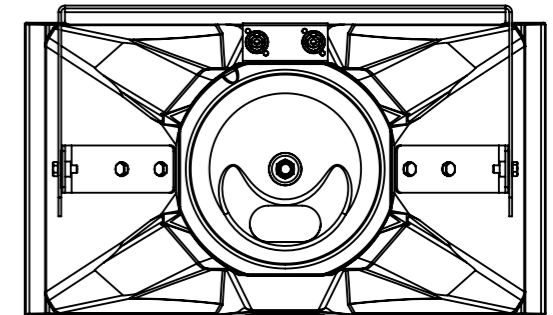
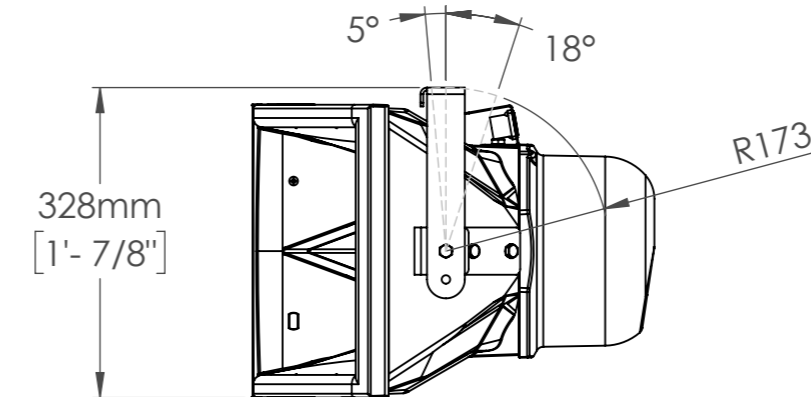
Funktion-One Research LTD Hoyle, Beare Green, Dorking, Surrey, RH5 4PS, UK mail@funktion-one.com +44 (0)1306 712820				Sheet: Overview Funktion-One Product Detail Drawing			A3 Sheet Scale: 1:4 Filename:		Drawn By: Mike Igglesden 03/05/2023		EvoXSH-F1-DD=T0141-00	
--	--	--	--	--	--	--	----------------------------------	--	--	--	------------------------------	--



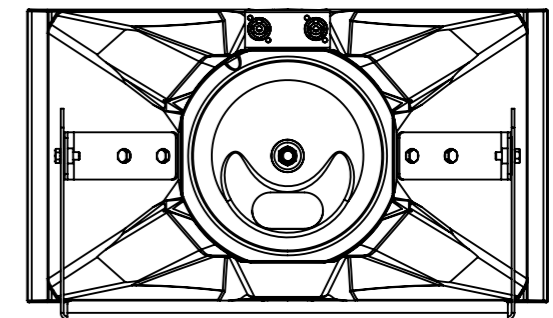
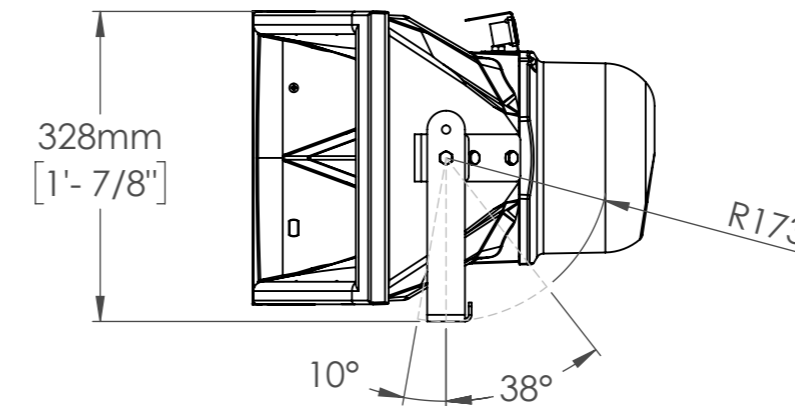
EvoXSH Yoke has two attachment points. Standard and compact. Standard configuration allows maximum angle adjustability. The yoke can be attached with the loudspeaker either way up.



Using the compact attachment points gives a lower profile but reduces the available angle adjustment.



Angle adjustability is dependent on the orientation of the yoke fitment to the loudspeaker.



Funktion-One Research LTD
 Hoyle, Beare Green, Dorking, Surrey, RH5 4PS, UK
 mail@funktion-one.com +44 (0)1306 712820

Sheet: Yoke
 Funktion-One Accessory Drawing

A3 Sheet Scale: 1:8
 Filename:

Drawn By: Mike Igglesden 03/05/2023

EvoXSH-F1-DD=T0141-00