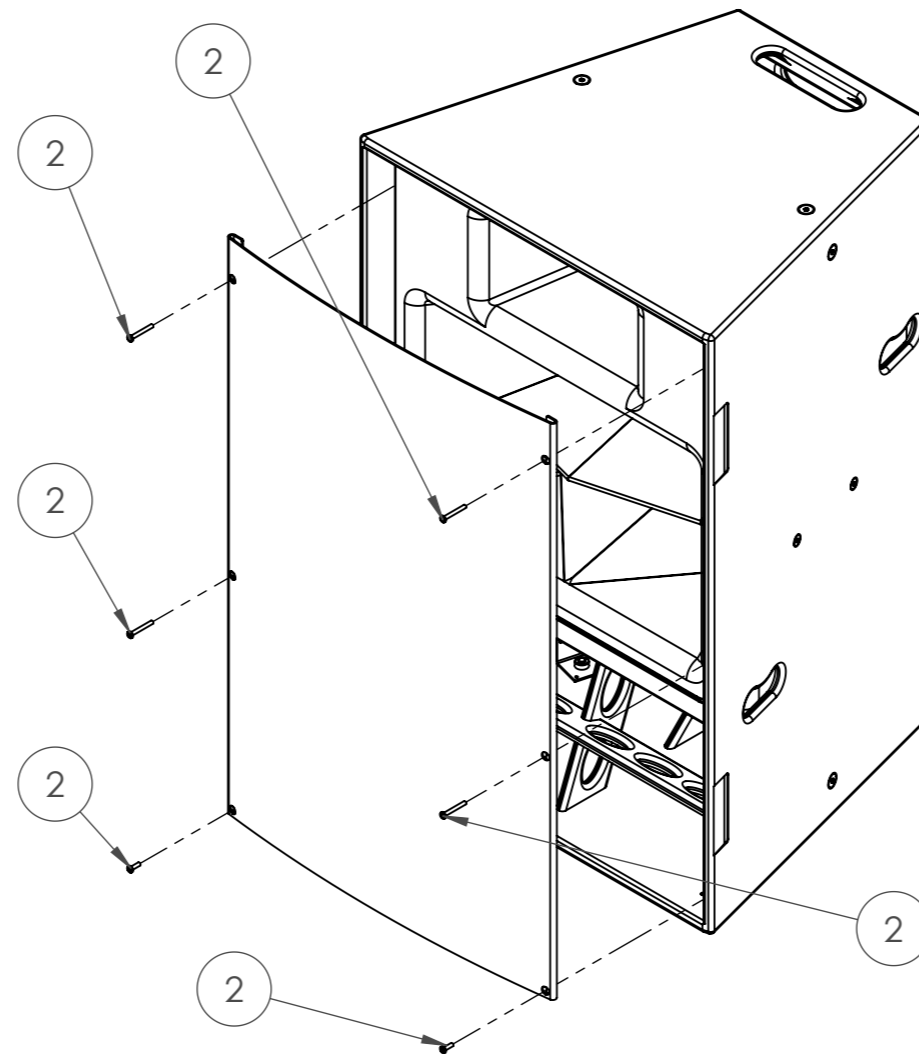
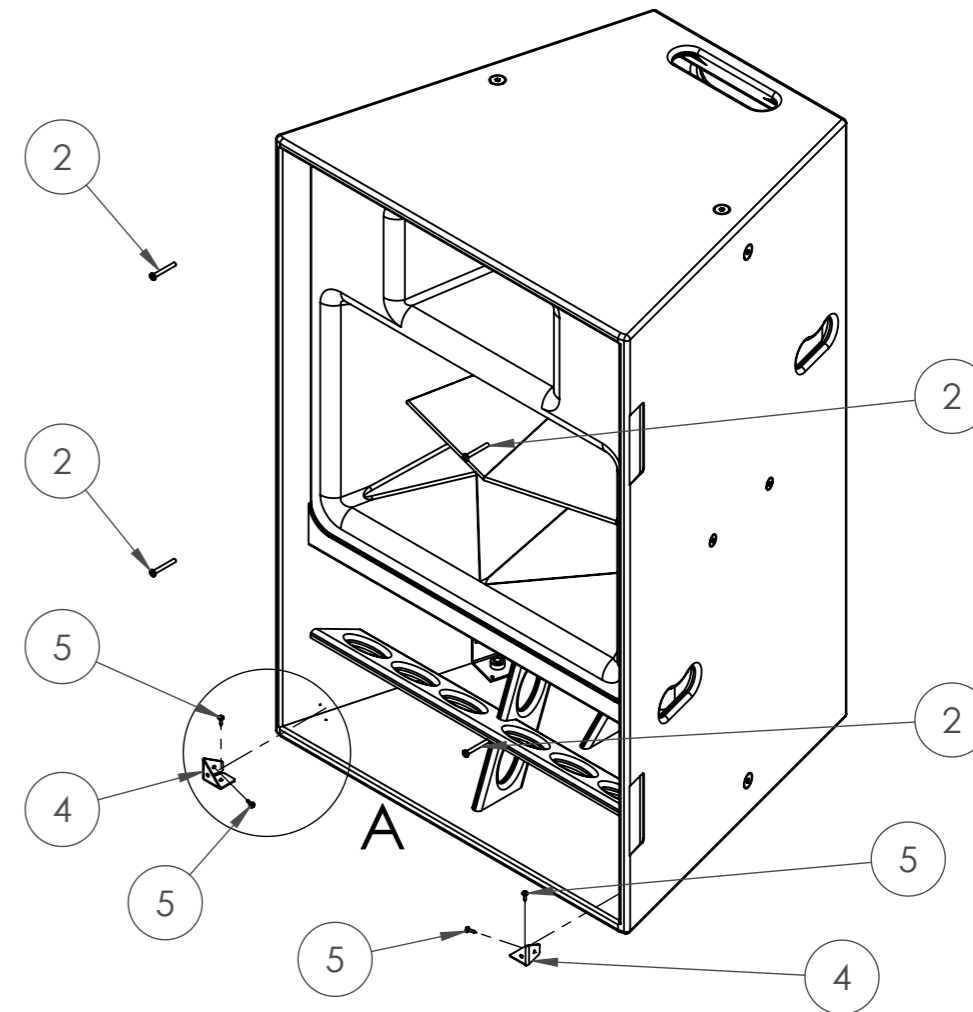


Evo 7E ordered with grille fitted. Hex punched 2mm steel, black powder coat and foam backed for discreet aesthetic. Evo7T is identical



Removal and reattachment of grille with 2 x M5 x 16mm pozi (PZ2) pan head bolts and 4 x M5 x 40mm pozi (PZ2) pan head bolts. These 40mm bolts are used to also secure the wave guide to the cabinet and should always be fitted.



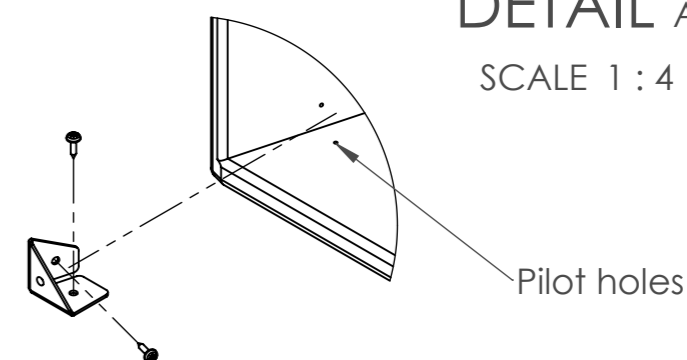
Evo7E ordered without grille, but grille required to be retro fitted. 2 x Evo7 grille brackets to be fitted with 2 x 3.5mm x 12mm pozi (PZ2) pan head screws per bracket. Fitment and location of grille brackets set with the use of the pilot holes. The 4 x M5 x 40mm pozi (PZ2) pan head bolts need to be removed before reattaching with the grille.

ITEM	DESCRIPTION	QUANTITY
1	GRILLE, HEX PUNCHED, FOAM BACKED	1
2	M5 X 40mm POZI PAN HEAD BOLT*	4
3	M5 X 16mm POZI PAN HEAD BOLT	2
4	EVO7 15° GRILLE BRACKET, M5 BUSH, MIRRORED PAIR	2
5	3.5mm X 12mm POZI PAN HEAD SCREW	4

* fitted to loudspeaker

DETAIL A

SCALE 1 : 4



Funktion-One Research LTD
Hoyle, Beare Green, Dorking, Surrey, RH5 4PS, UK
mail@funktion-one.com +44 (0)1306 712820

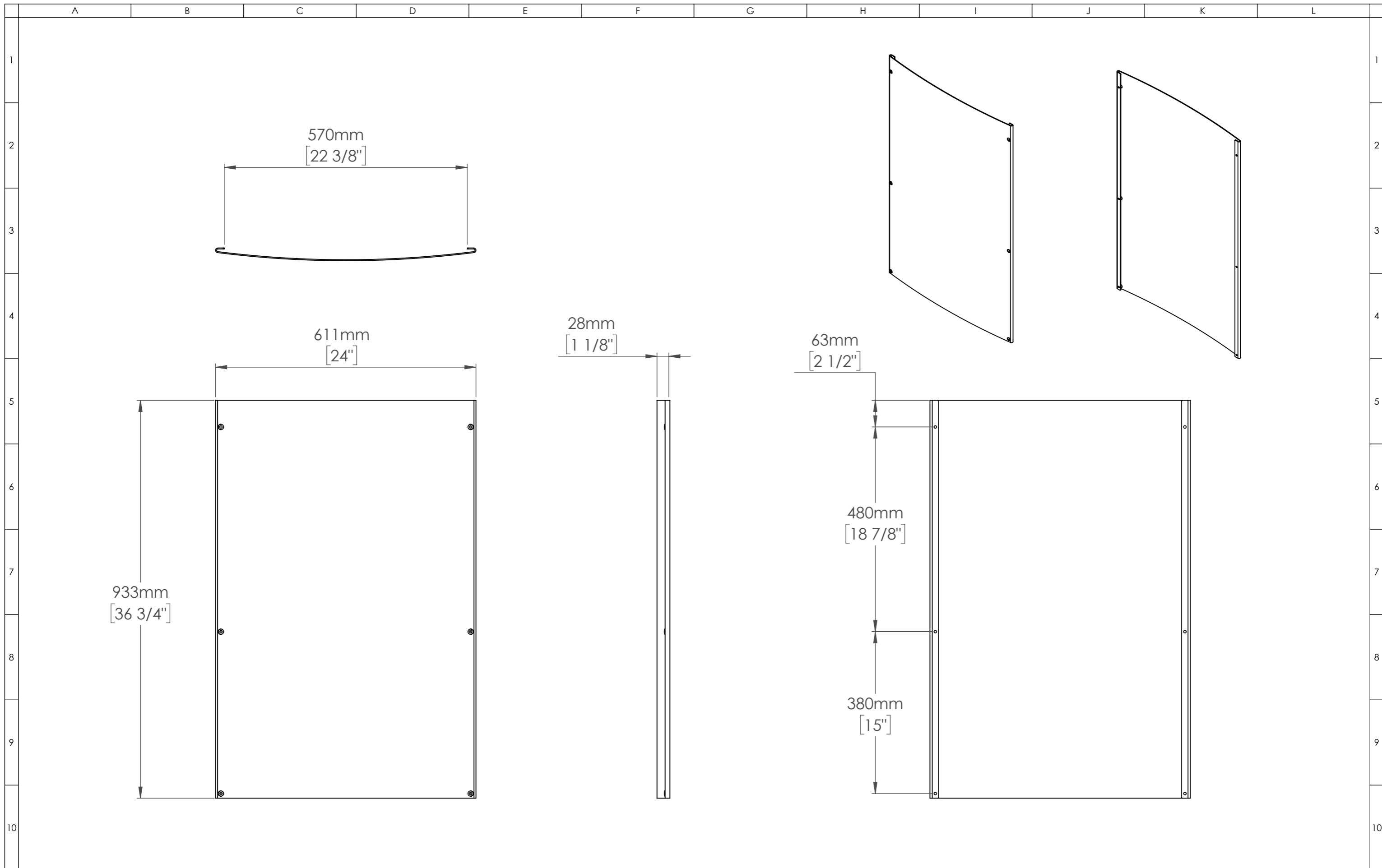
Sheet: Detail Drawing
Funktion-One Accessory Drawing

A3 Sheet Scale: 1:10

Drawn By: Mike Igglesden 17/05/2023

Filename:

GK-E7-F1-AD=T0019-01



<p>Funktion-One Research LTD Hoyle, Beare Green, Dorking, Surrey, RH5 4PS, UK mail@funktion-one.com +44 (0)1306 712820</p>	<p>Sheet: Technical drawing Funktion-One Accessory Drawing</p>	<p>A3 Sheet Scale: 1:10 Filename:</p>	<p>Drawn By: Mike Igglesden 17/05/2023 GK-E7-F1-AD=T0019-01</p>
--	---	--	--