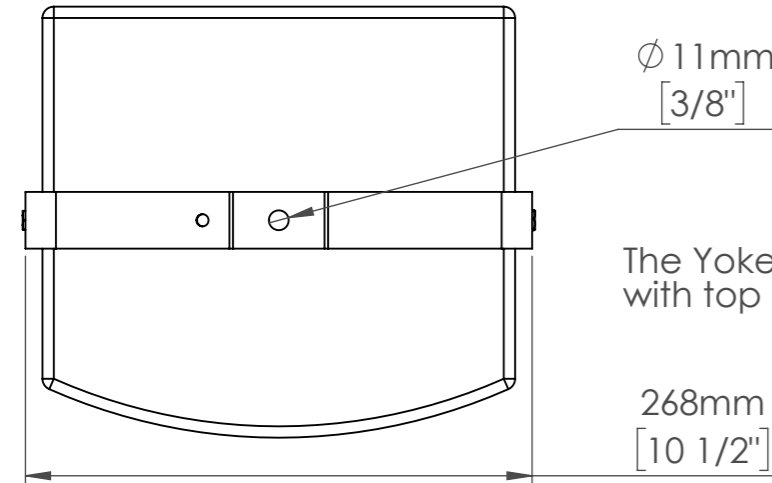


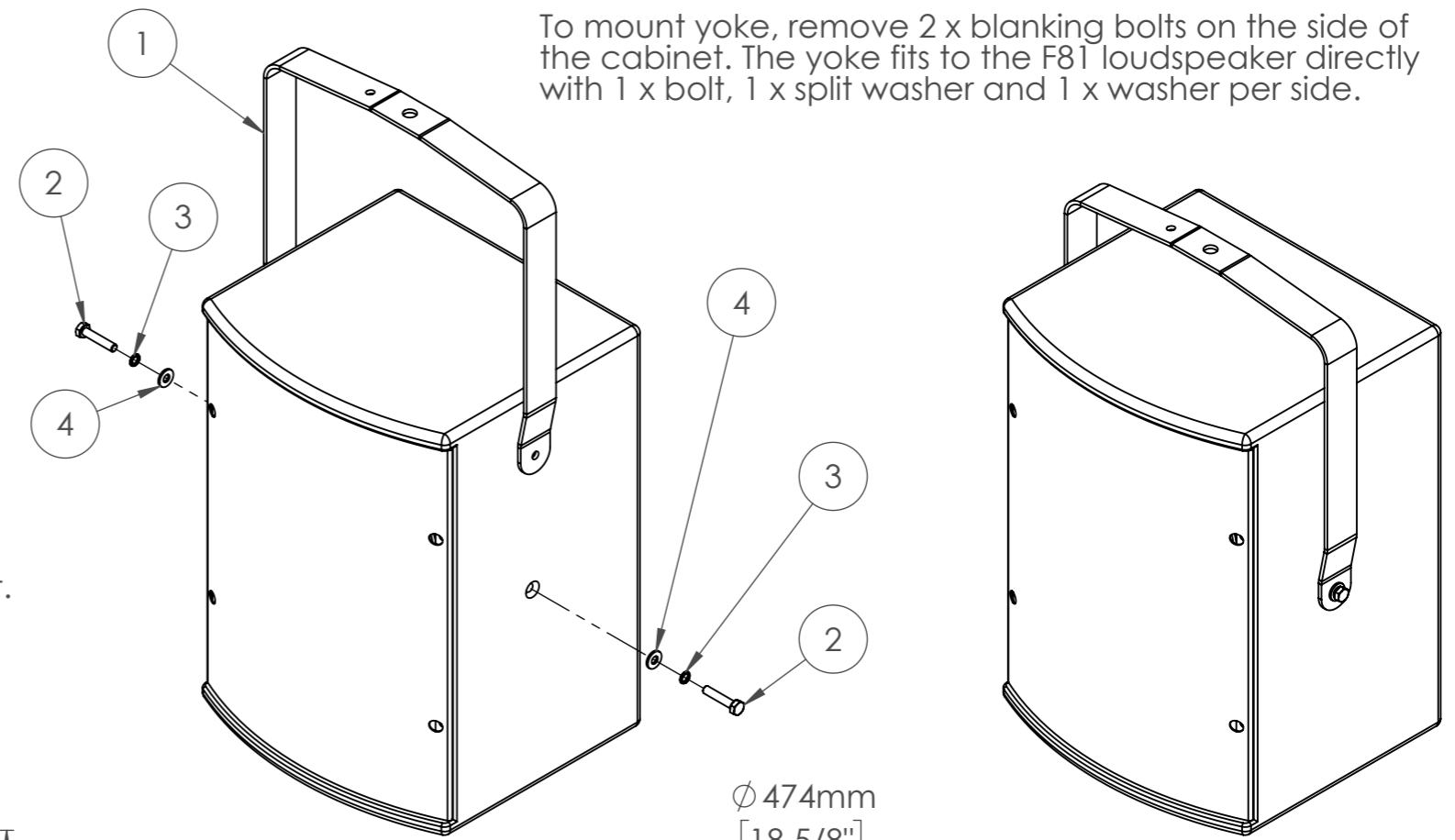
ITEM	DESCRIPTION	QUANTITY
1	F81 YOKE	1
2	M6 X 20mm PAN HEAD BOLT	2
3	M6 C-FORM WASHER	2
4	M6 SPLIT WASHER	2



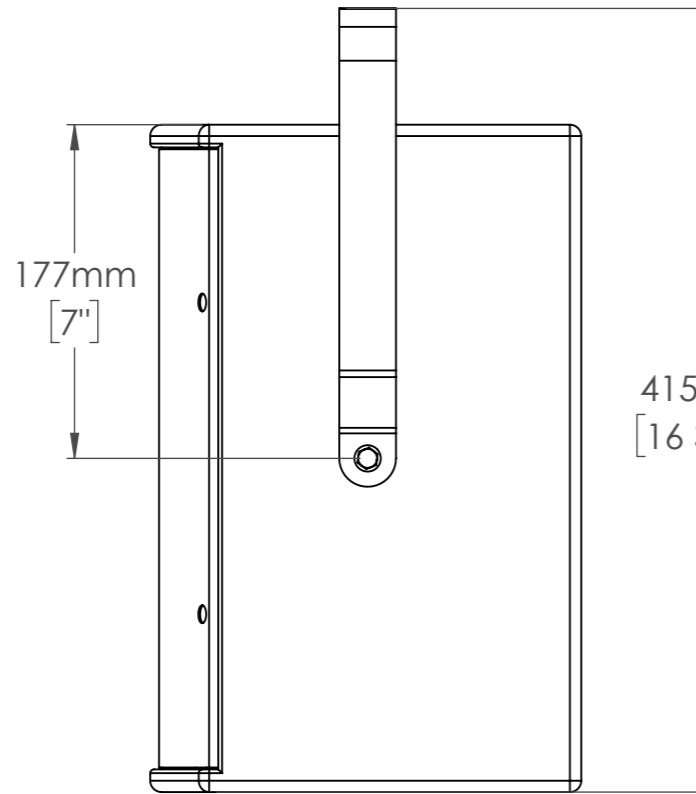
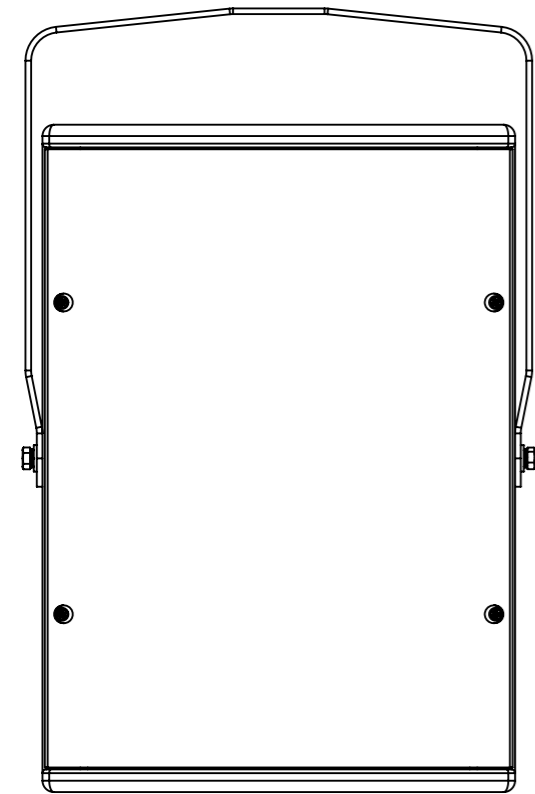
Ø11mm
[3/8"]

The Yoke provides 360° of rotation with top down or bottom up support.

268mm
[10 1/2"]



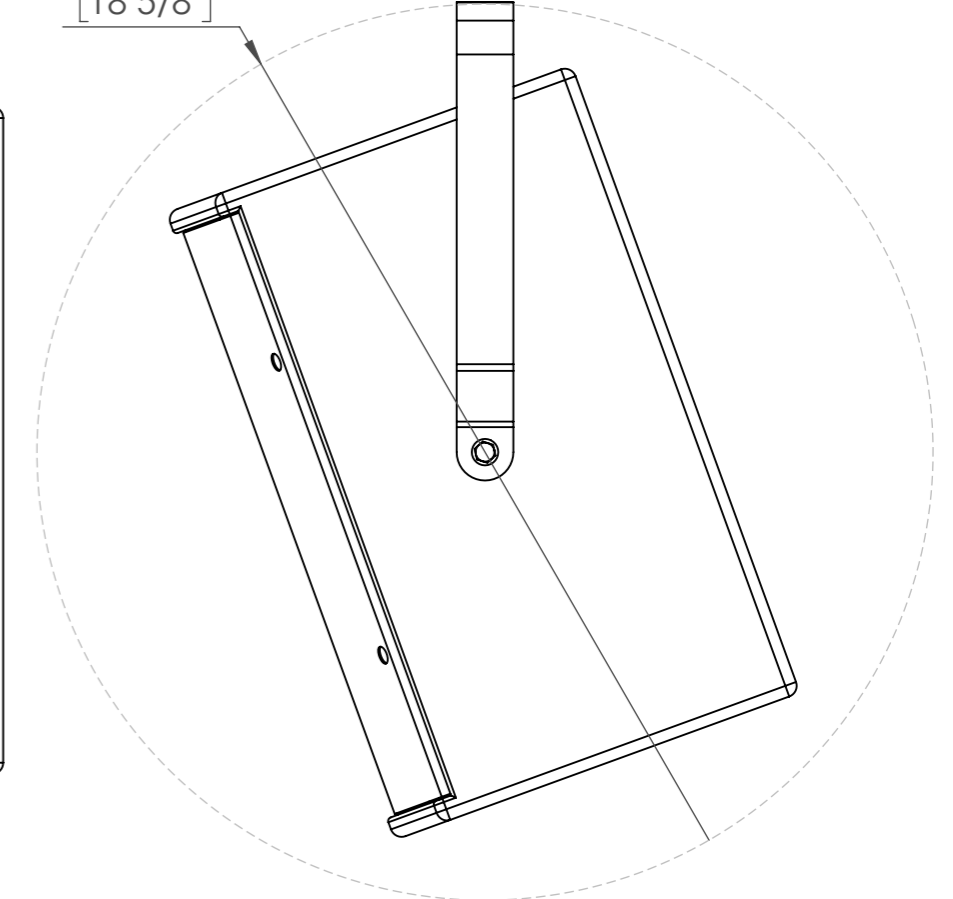
To mount yoke, remove 2 x blanking bolts on the side of the cabinet. The yoke fits to the F81 loudspeaker directly with 1 x bolt, 1 x split washer and 1 x washer per side.



415mm
[16 3/8"]

415mm
[16 3/8"]

Ø474mm
[18 5/8"]



Funktion-One Research LTD
Hoyle, Beare Green, Dorking, Surrey, RH5 4PS, UK
mail@funktion-one.com +44 (0)1306 712820

Sheet: Detail Drawing

Funktion-One Accessory Drawing

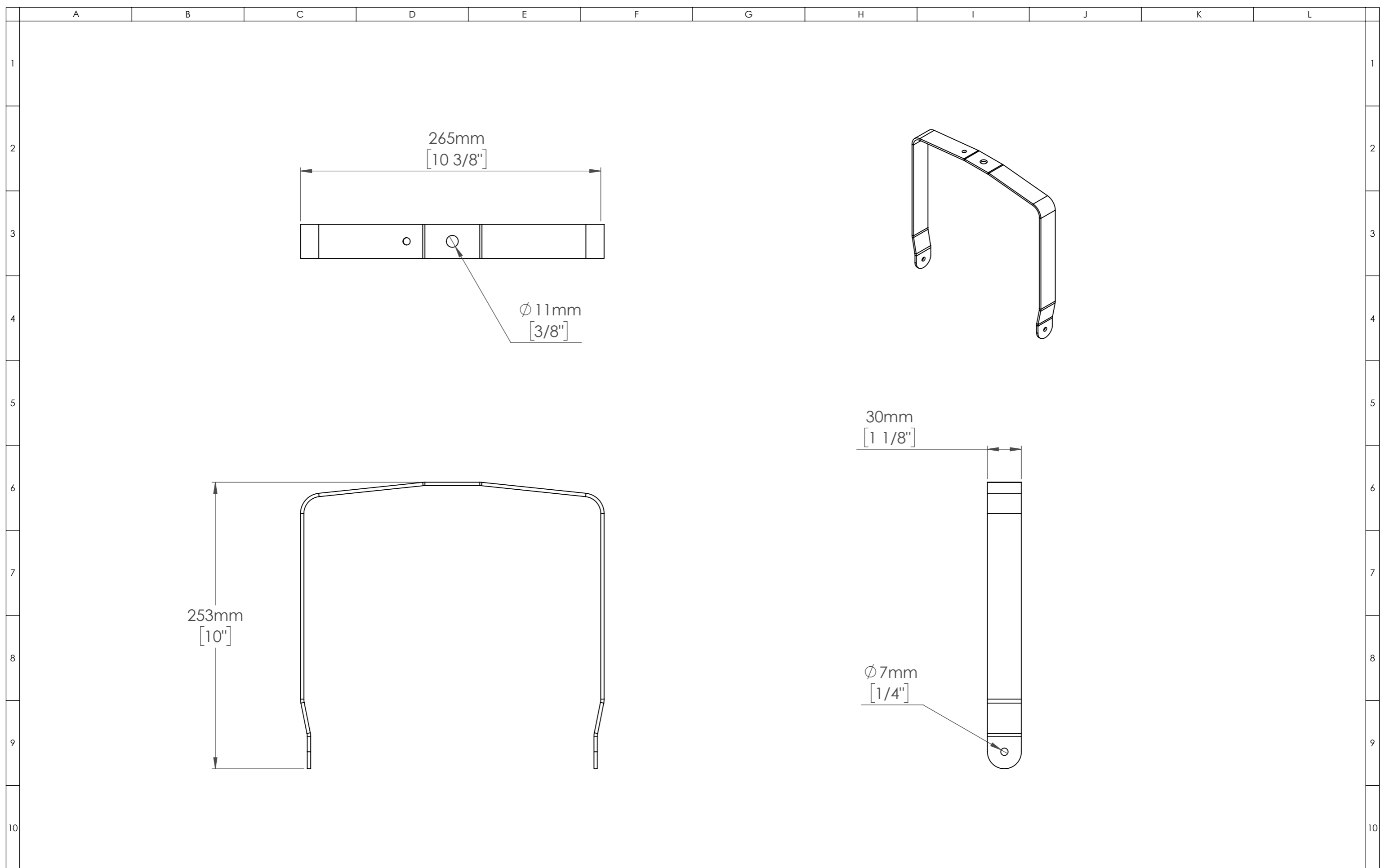
A3 Sheet Scale: 1:4

Filename:

Drawn By: Mike Igglesden

26/04/2023

YK-F81-F1-AD=T0057-01



Funktion-One Research LTD
 Hoyle, Beare Green, Dorking, Surrey, RH5 4PS, UK
 mail@funktion-one.com +44 (0)1306 712820

Sheet: Technical drawing
 Funktion-One Accessory Drawing

A3 Sheet Scale: 1:3
 Filename:

Drawn By: Mike Igglesden 26/04/2023
 YK-F81-F1-AD=T0057-01