

Ground Stack System for Evo Enclosures

GSB (Ground Stack Board)

A choice of different boards is available for different stack configurations. These are all made from 18mm Finnish Birch Ply and finished with Funktion One violet paint.

GSM-Clasp

'S-Profile' clasps slide onto underside of Ground Stack Board and hook round top front edge of bass enclosure. Two of the same clasps are used the other way up to hold the lower front edge of each Evo6/7 in place (these can be slid into position once the board has been attached to the bass)

GSM-Clamp

Clamps slide onto the underside of the board and are used to secure the board to the rear of the bass (these spring against the clasps used on the front). For permanent installations, they can be bolted to the dedicated T-Nuts on the rear of the bass, although this is not necessary for touring use.

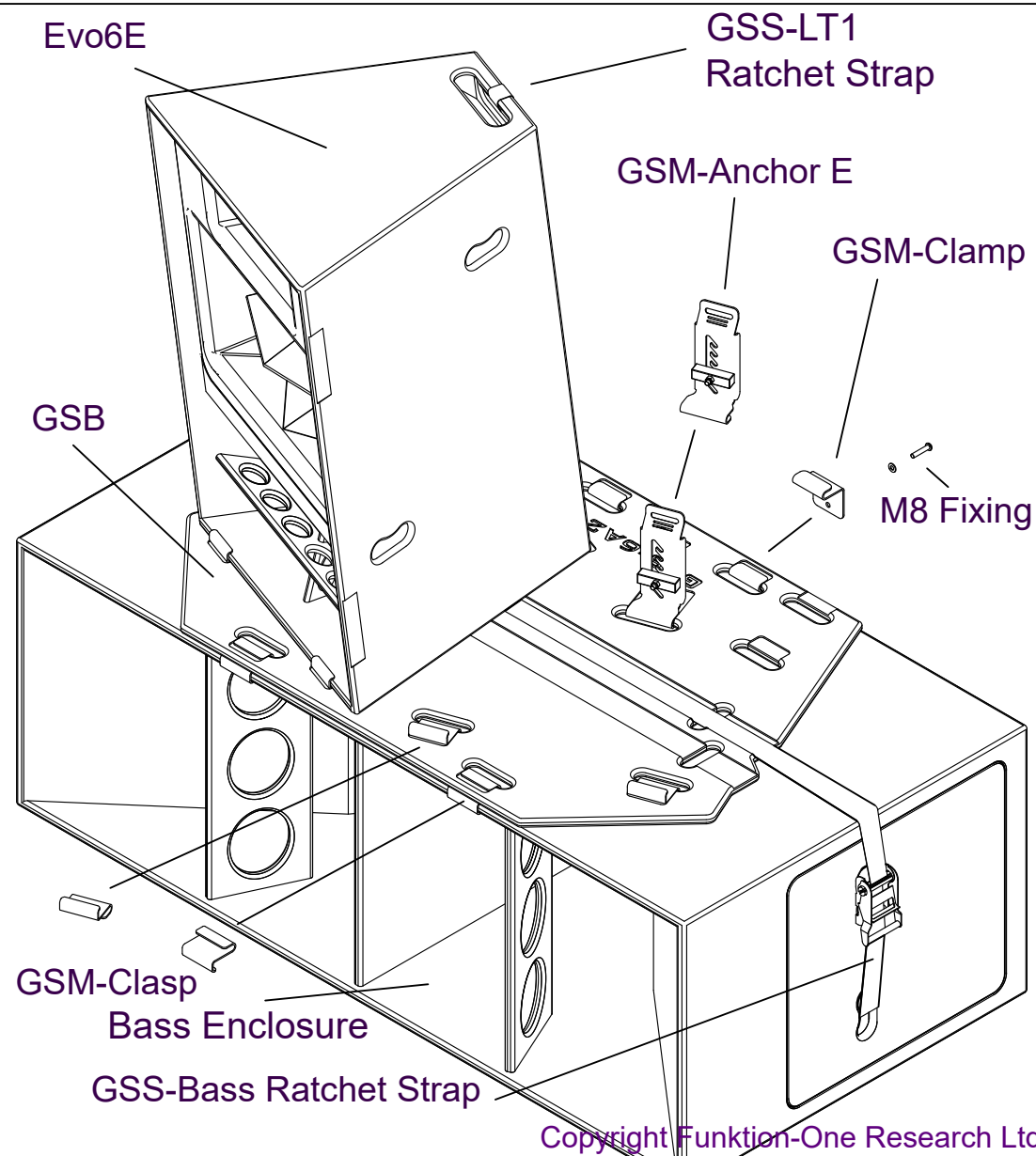
GSS-Bass

Once the board is located and secure with the Clasps and Clamps fitted to the underside, the GSS-Bass Strap is added. The ratchet strap is terminated with metal ovals which locate in the lowest bass handles on either side of the stack. Once tight, the strap secures the bass enclosures and board together.

GSM-Anchor E

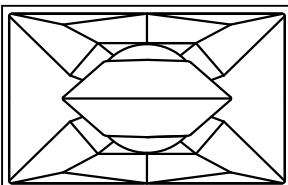
The E-Anchor facilitates external downward tilt angle adjustment. The rear of the enclosure rests on a captive block which can easily be moved to different heights for different downward angles. Please note, only one row of E enclosures can be deployed in this way. A GSS-LT1 strap is required for each anchor position (see next sheet).

Use suitable access and lifting equipment to safely assemble the system. Ensure that the base or platform has sufficient load bearing capacity and the system assembly is secured from moving, tipping or sliding. Use additional ballast and/or supporting structure if necessary.



All dimensions in mm and inches

Copyright Funktion-One Research Ltd



FUNKTION-ONE

Hoyle, Horsham Road, Beare Green, Dorking, Surrey, RH5 4PS, England

Phone: +44 (0)1306 712820

Fax: +44 (0)1306 711240



mail@funktion-one.com

www.funktion-one.com

Accessories for: Ground Stack System for Evo Enclosures

Ground Stack assembly 1

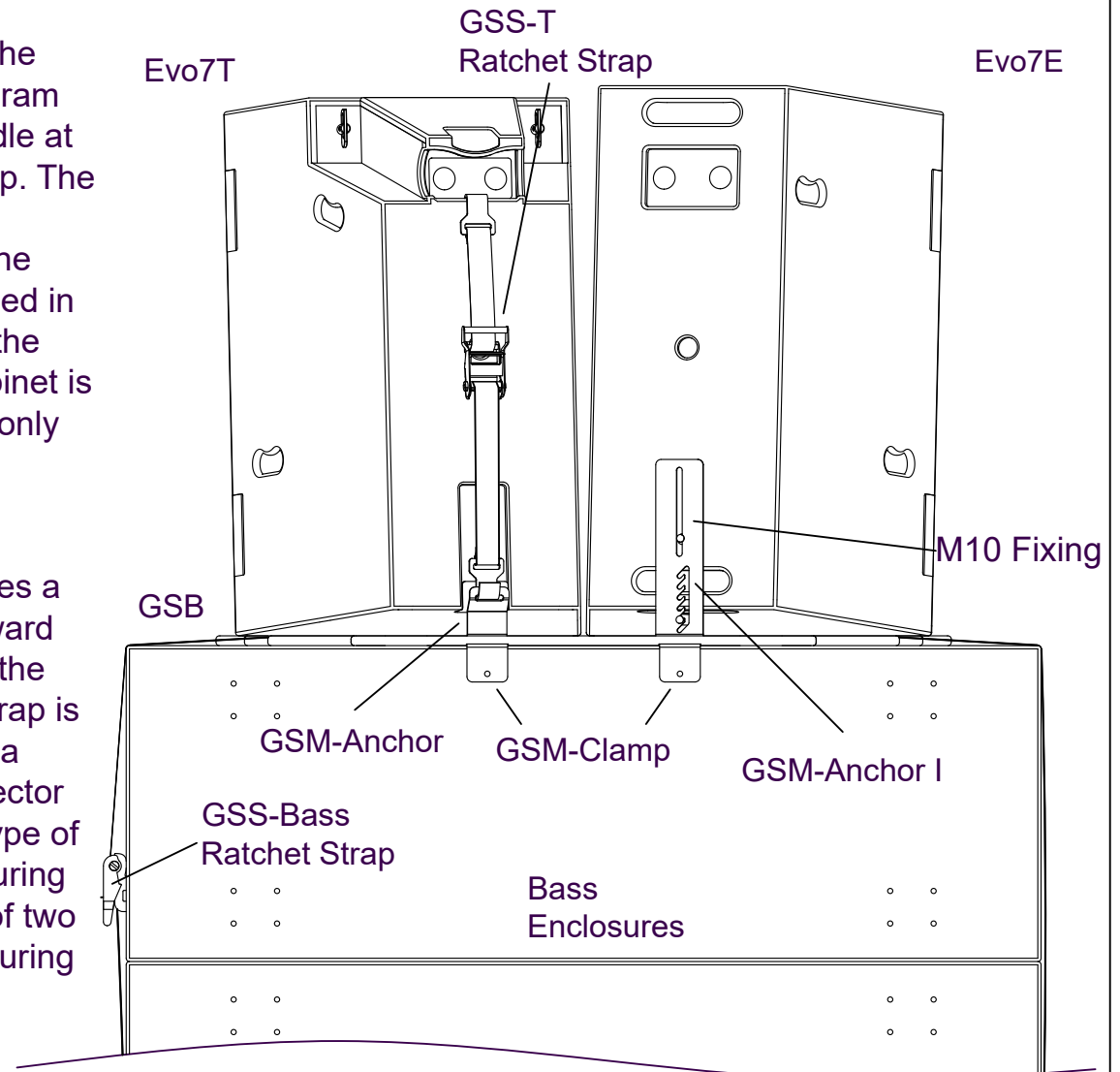
Boards available for many combinations of Evo6s, Evo7s and Evo7Ts with different bass enclosures

Evo6/Evo7 E:

The lower end of the Loop Strap (GSS-LT1) is threaded to the E-Anchor and once threaded can be left attached (see diagram below). The upper end is secured looping it around the handle at the top of the cabinet and hooking it into the ring on the strap. The indexed block in the E-Anchor sets the declination of the enclosure. The strap is tightened just sufficiently to secure the Evo6/Evo7 E. Note, only one row of E enclosures can be used in this way. For Installations the GSM-Anchor I is used, again the indexed block in the anchor sets the declination and the cabinet is secured via the M10 fixing in the back of the cabinet, again only one row of E enclosures can be used in this way.

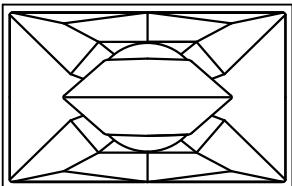
Evo7 T:

The anchor is used with Touring enclosures only and provides a location for the built in "biscomatic" tongue to set the downward tilt angle. Two rows of Touring enclosures can be used with the board system, using the integral linking system. A GSS-T strap is required for each anchor position. The T strap (GSS-T) has a hook at each end and runs from the handle below the connector panel in the touring enclosure to the slot present in either type of anchor. This strap is long enough for three vertically liked touring enclosures, although in normal use we advise a maximum of two rows. The E-Anchor provides greater declination than the touring anchor.



All dimensions in mm and inches

Copyright Funktion-One Research Ltd



FUNKTION-ONE

Hoyle, Horsham Road, Beare Green, Dorking, Surrey, RH5 4PS, England

Phone: +44 (0)1306 712820

Fax: +44 (0)1306 711240



mail@funktion-one.com

www.funktion-one.com

Accessories for: Ground Stack System for Evo Enclosures

Ground Stack Assembly 2

Boards available for many combinations of Evo6s, Evo7s and Evo7Ts with different bass enclosures

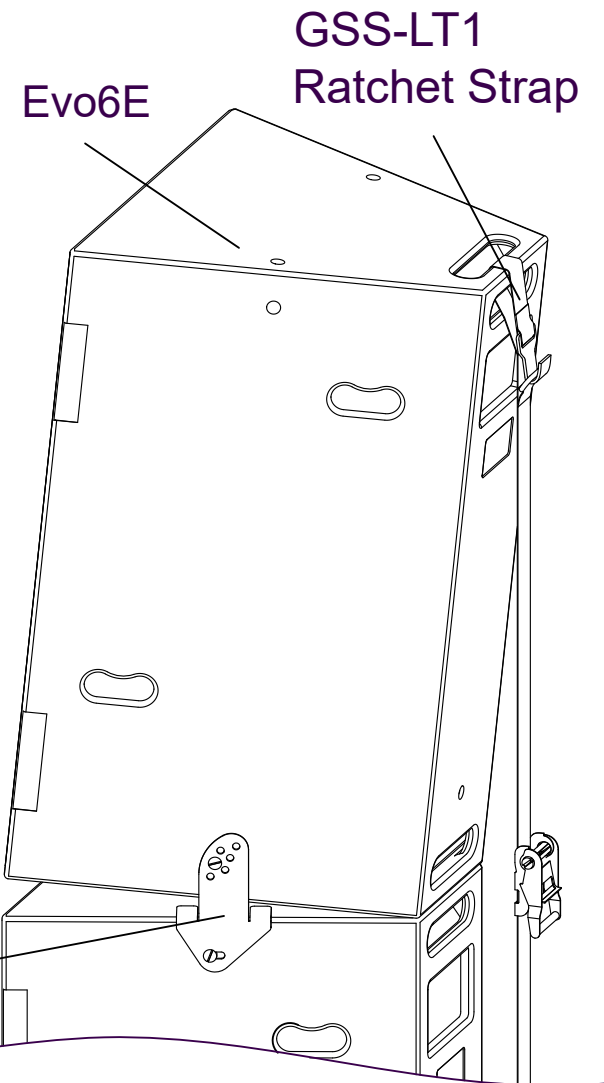
Evo6/Evo7E Stacking Brackets:

To stack two rows of Evo6/Evo7 E enclosures Universal Stacking Brackets can be used. The Stacking Bracket lines up with the M10 fixings in the top and bottom of the enclosures. The required angle of inclination can be chosen by selecting the appropriate fixing hole in the bracket. The Enclosures are secured to the E-Anchor using the Loop Strap (GSS-LT1) The lower end of the Loop Strap (GSS-LT1) hooks into the E-Anchor and The upper end is secured by looping it around the top handle of the upper enclosures and hooking it into the ring on the strap. The indexed block in the E-Anchor sets the declination of the lower enclosure. The strap is tightened just sufficiently to secure both enclosures.

Stacking brackets are only recommended for fixed installations. For touring use, we recommend the Evo 7T system.

Use suitable access and lifting equipment to safely assemble the array. Ensure that the base platform has sufficient load bearing capacity and the overall assembly is secured from moving, tipping or sliding. Use additional ballast and/or supporting structure if necessary.

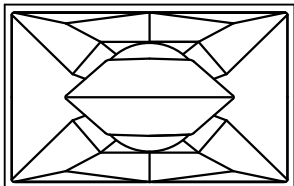
Go to page 5 for more details of straps



Universal Stacking Bracket GSM-USB

Copyright Funktion-One Research Ltd

All dimensions in mm and inches



FUNKTION-ONE

Hoyle, Horsham Road, Beare Green, Dorking, Surrey, RH5 4PS, England

Phone: +44 (0)1306 712820

Fax: +44 (0)1306 711240



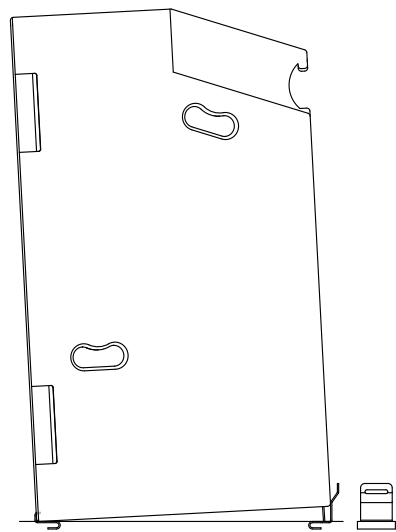
mail@funktion-one.com

www.funktion-one.com

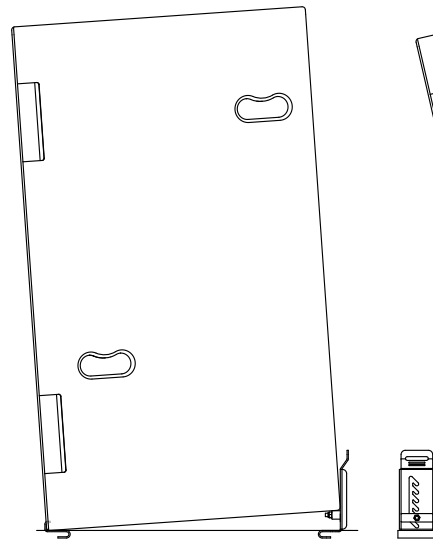
Accessories for: Ground Stack System for Evo Enclosures

Ground Stack Assembly 2

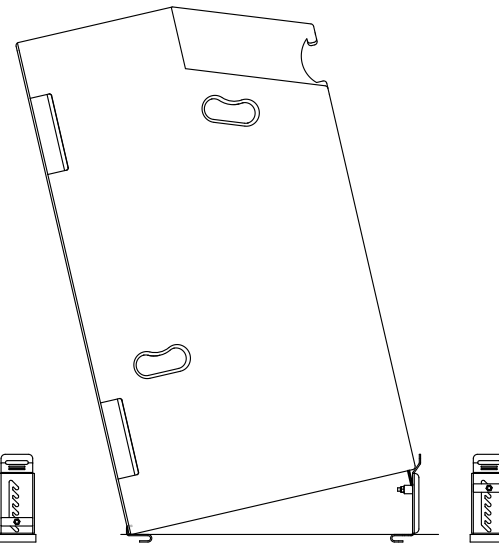
Boards available for many combinations of Evo6s, Evo7s and Evo7Ts with different bass enclosures



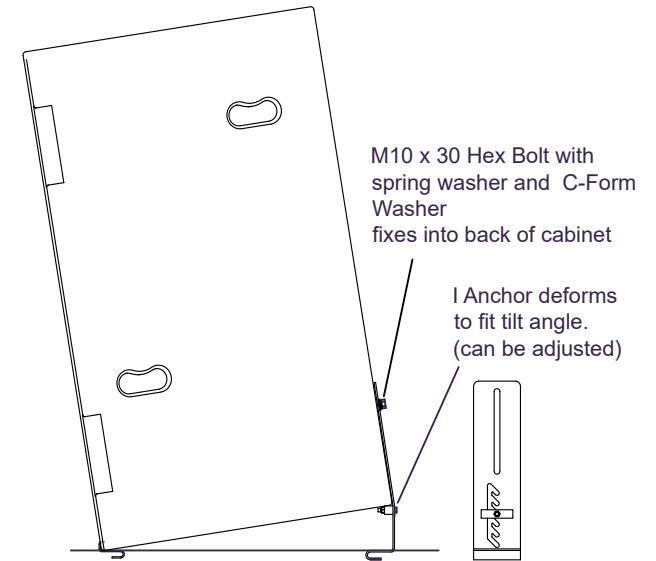
Evo7T Enclosure with T-Anchor



Evo7/Evo6E Enclosure with E-Anchor



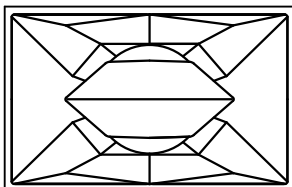
Evo7T Enclosure with E-Anchor.
Provides maximum declination.



Evo6/Evo7E Enclosure with I-Anchor.
For fixed installation

All dimensions in mm and inches

Copyright Funktion-One Research Ltd



FUNKTION-ONE

Hoyle, Horsham Road, Beare Green, Dorking, Surrey, RH5 4PS, England

Phone: +44 (0)1306 712820

Fax: +44 (0)1306 711240



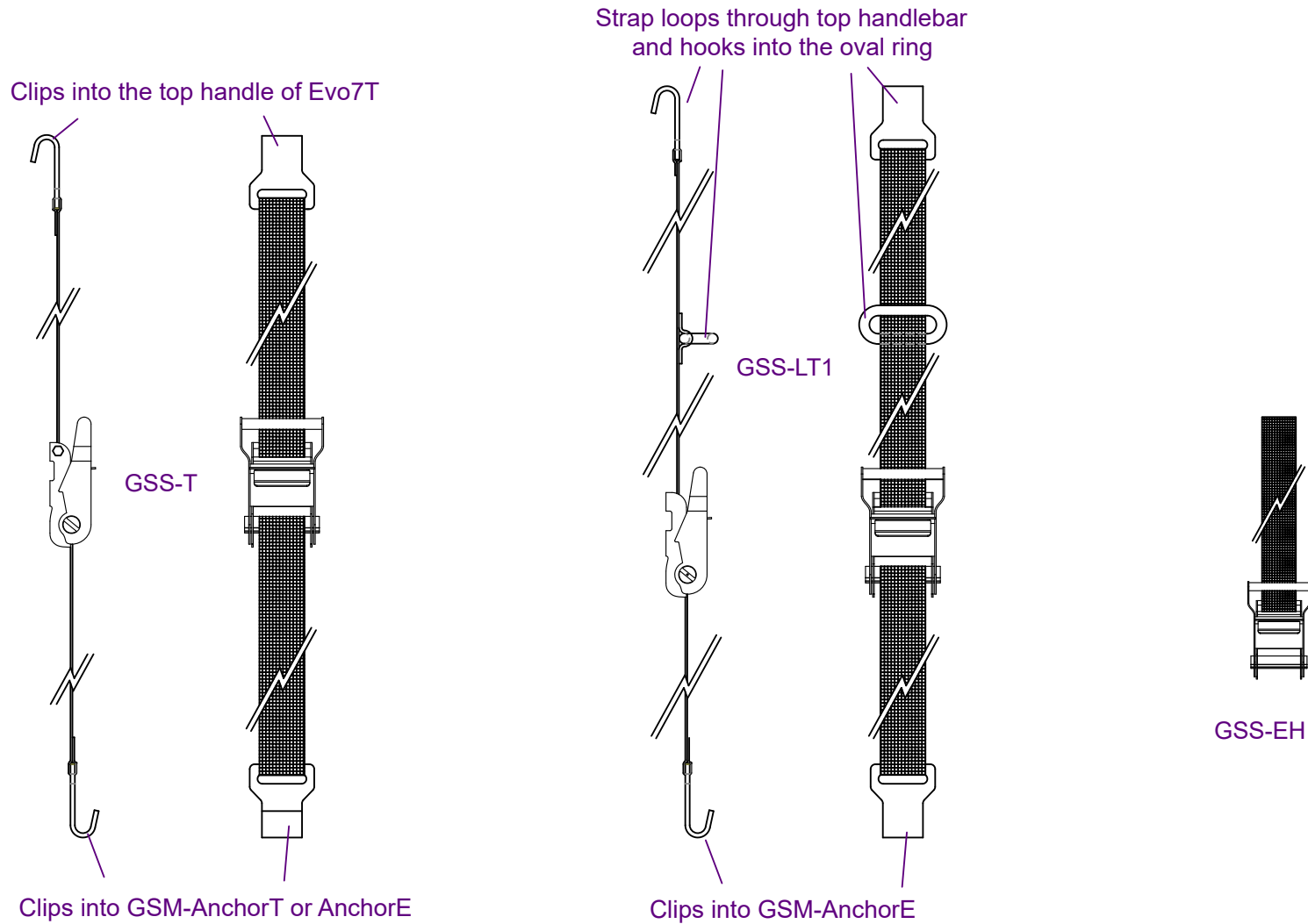
mail@funktion-one.com

www.funktion-one.com

Accessories for: Ground Stack System - Anchor Plates

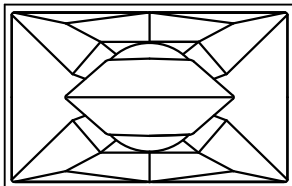
The E-Anchor can be used with both E and Touring enclosures

Straps are not to scale



All dimensions in mm and inches

Copyright Funktion-One Research Ltd



FUNKTION-ONE

Hoyle, Horsham Road, Beare Green, Dorking, Surrey, RH5 4PS, England

Phone: +44 (0)1306 712820

Fax: +44 (0)1306 711240



mail@funktion-one.com

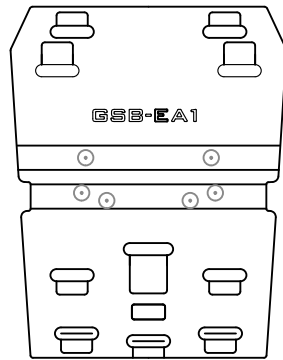
www.funktion-one.com

Accessories for: Ground Stack System - Tilt Straps

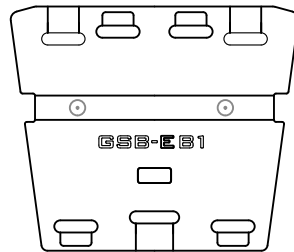
GSS-T - Ratchet strap to secure one or two Evo7T to GSM-AnchorT

GSS-LT1 - Universal ratchet strap for Evo6/7/E/T groundstacking

GSS-EH - 1.4m length lightweight ratchet for "EH" cabinets

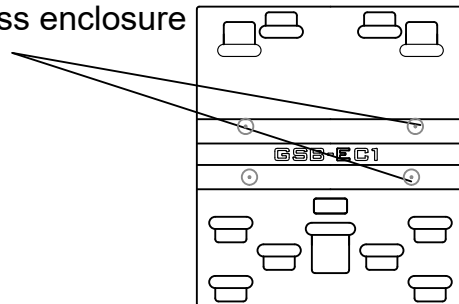


GSB-EA1 For 1 wide Evo7 or Evo6 on 1 wide F221, F121 or F218



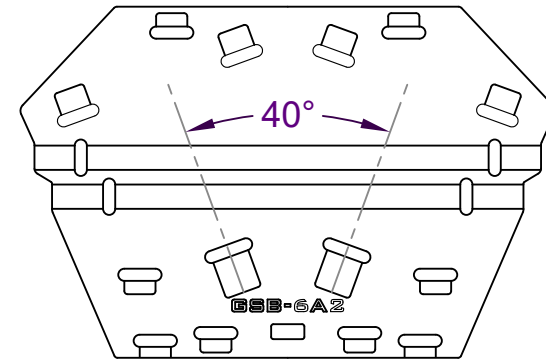
GSB-EB1 For 1 wide Evo7 or Evo6 on 1 wide F215Mk2

Pucks locate in handle holes of bass enclosure

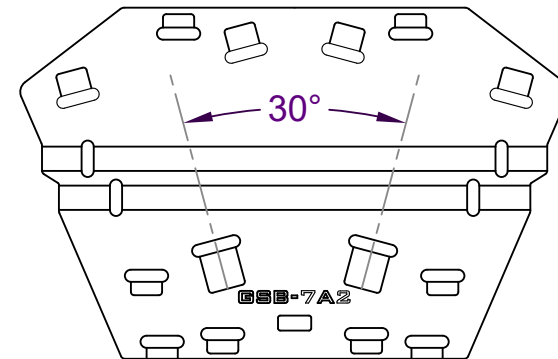


GSB-EC1 For 1 wide Evo7 or Evo6 on 1 wide BR221, BR121 or BR218

All dimensions in mm and inches



GSB-6A2 For 2 wide Evo6 on 1 wide F221, F218 or 2 wide F121



GSB-7A2 For 2 wide Evo7 on 1 wide F221, F218 or 2 wide F121

Single Evolution ground stack boards are fitted with pucks that locate in the handles of bass enclosures.

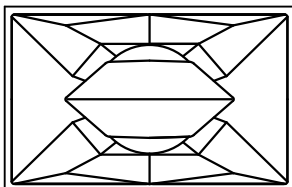
Evo6 ground stack boards provide an optimum axis to axis array angle of 40° and

Evo7 ground stack boards provide an optimum angle of 30°

Evo6 boards are suitable for all Evo6 products, Evo6E, Evo6EH & Evo6EL.

Evo7 boards are suitable for all Evo7 Products, Evo7E, Evo7T and Evo7EH

Copyright Funktion-One Research Ltd



FUNKTION-ONE

Hoyle, Horsham Road, Beare Green, Dorking, Surrey, RH5 4PS, England

Phone: +44 (0)1306 712820

Fax: +44 (0)1306 711240



mail@funktion-one.com

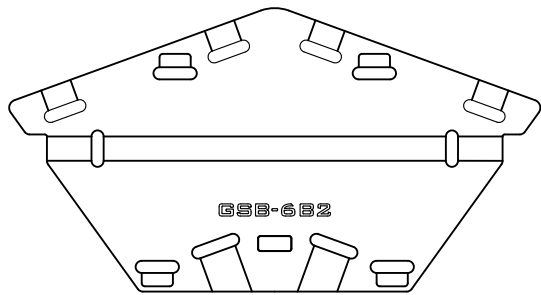
www.funktion-one.com

Accessories for: Ground Stack System for Evo Enclosures - Boards

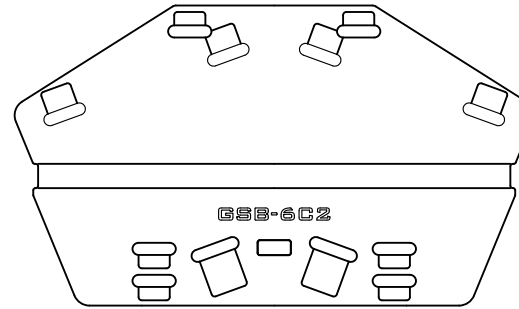
GSB-EA1, GSB-6A2,

GSB-EB1, GSB-7A2,

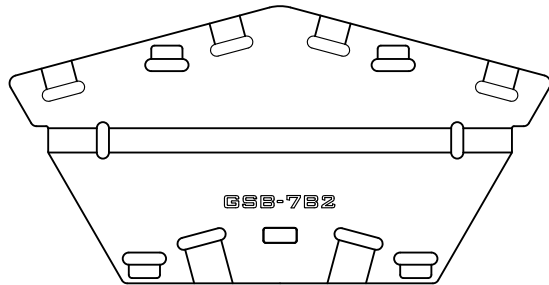
GSB-EC1



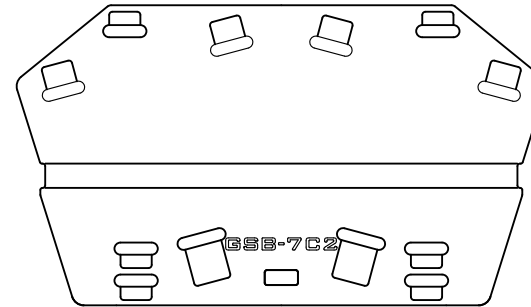
GSB-6B2 For 2 wide Evo6 on 1 or 2 wide F215Mk2



GSB-6C2 For 2 wide Evo6 on 1 wide BR221, BR218 or 2 wide BR121



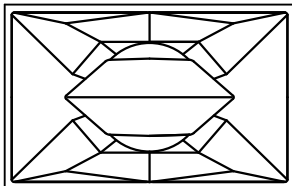
GSB-7B2 For 2 wide Evo7 on 1 or 2 wide F215Mk2



GSB-7C2 For 2 wide Evo7 on 1 wide BR221, BR218 or 2 wide BR121

All dimensions in mm and inches

Copyright Funktion-One Research Ltd



FUNKTION-ONE

Hoyle, Horsham Road, Beare Green, Dorking, Surrey, RH5 4PS, England

Phone: +44 (0)1306 712820

Fax: +44 (0)1306 711240

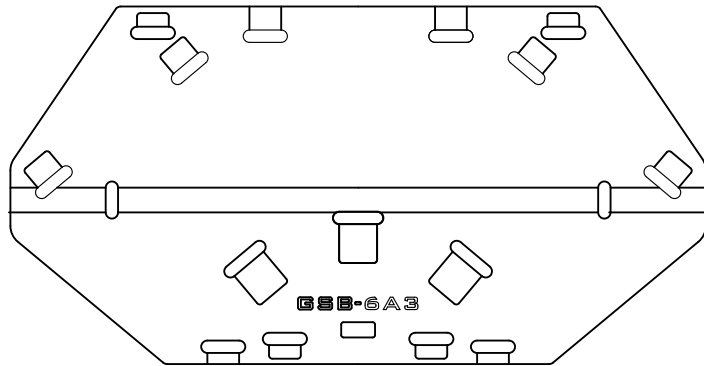


mail@funktion-one.com

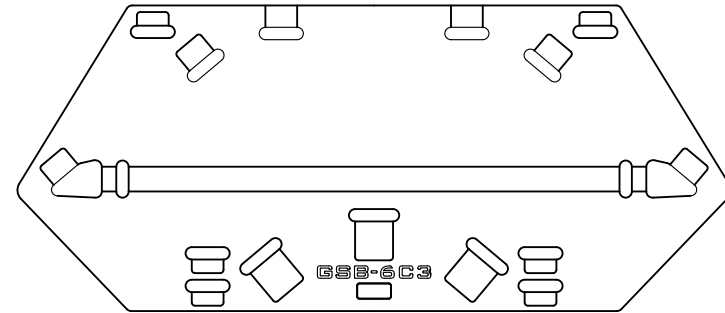
www.funktion-one.com

Accessories for: Ground Stack System for Evo Enclosures - Boards

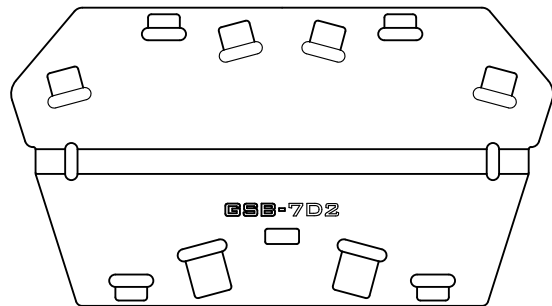
GSB-6B2, GSB-6C2,
GSB-7B2, GSB-7C2



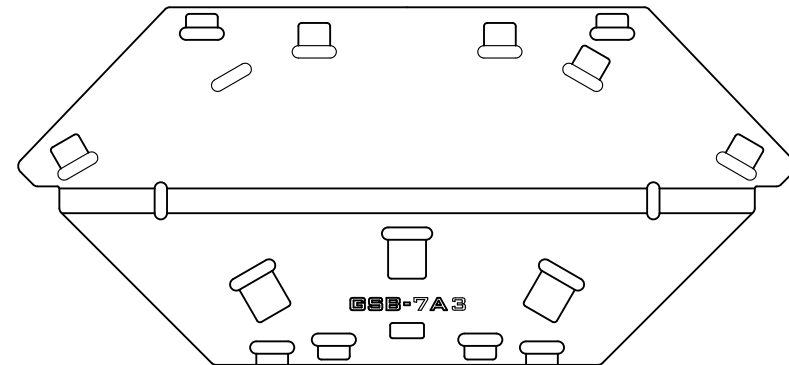
GSB-6A3 For 3 wide Evo6 on 1 wide F221 or 2 wide F121



GSB-6C3 For 3 wide Evo6 on 1 wide BR221, BR218 or 2 wide BR121



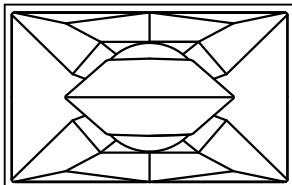
GSB-7D2 For 2 wide Evo7 on 1 wide F218



GSB-7A3 For 3 wide Evo7 on 1 or 2 wide F221 or 2 or 3 wide F121

All dimensions in mm and inches

Copyright Funktion-One Research Ltd



FUNKTION-ONE

Hoyle, Horsham Road, Beare Green, Dorking, Surrey, RH5 4PS, England

Phone: +44 (0)1306 712820

Fax: +44 (0)1306 711240

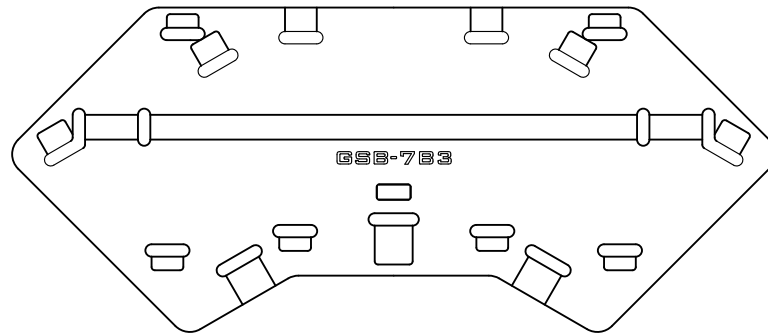


mail@funktion-one.com

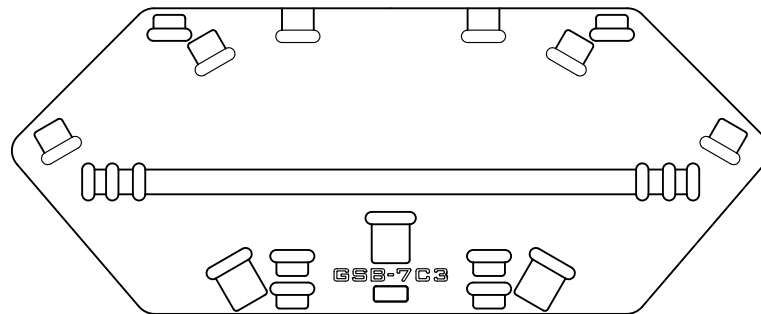
www.funktion-one.com

Accessories for: Ground Stack System - Boards (sheet 2)

GSB-6A3, GSB-6C3,
GSB-7D2, GSB-7A3



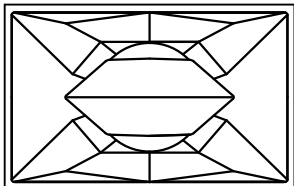
GSB-7B3 For 3 wide Evo7 on 1 wide F315 or 2 wide F215Mk2



GSB-7C3 For 3 wide Evo7 on 1 wide BR221, BR218 or 2 wide BR121

All dimensions in mm and inches

Copyright Funktion-One Research Ltd



FUNKTION-ONE

Hoyle, Horsham Road, Beare Green, Dorking, Surrey, RH5 4PS, England

Phone: +44 (0)1306 712820

Fax: +44 (0)1306 711240

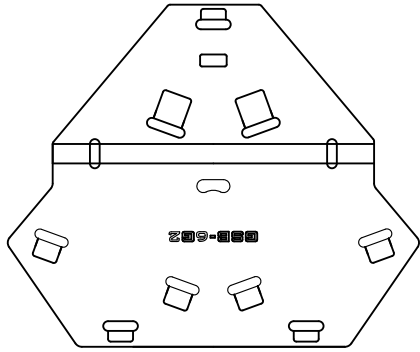


mail@funktion-one.com

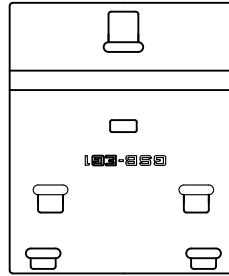
www.funktion-one.com

Accessories for: Ground Stack System - Boards (sheet 2)

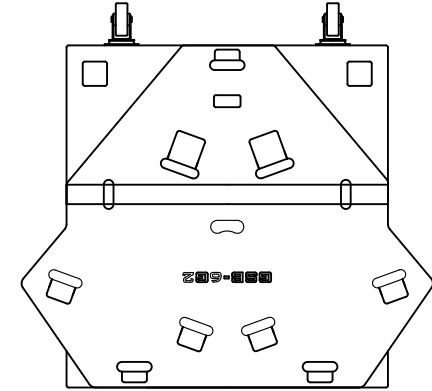
GSB-7B3, GSB-7C3



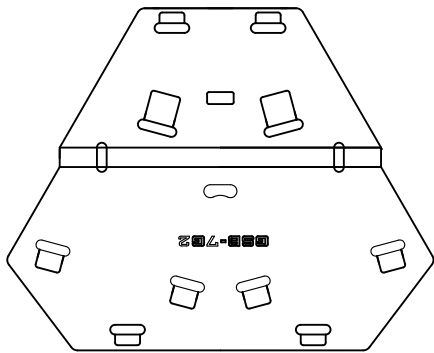
GSB-6G2 For 2 wide Evo6 on 1 or 2 F124



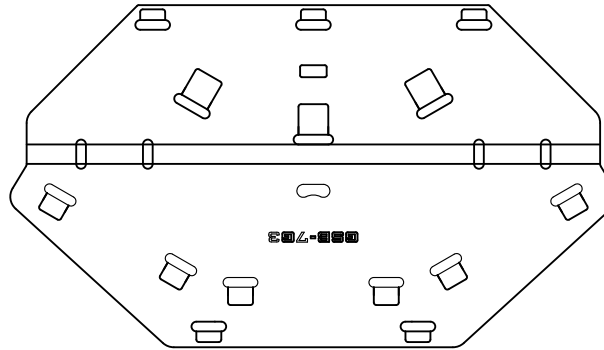
GSB-EG1 For 1 wide Evo6/7 on F124



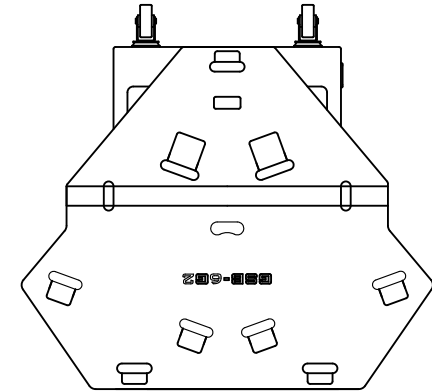
Strap holes enable use with F124 in horizontal or vertical orientations



GSB-7G2 For 2 wide Evo7 on 1 or 2 F124

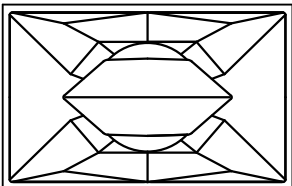


GSB-7G3 For 3 wide Evo7 on 1 or 2 F124



Copyright Funktion-One Research Ltd

All dimensions in mm and inches



FUNKTION-ONE

Hoyle, Horsham Road, Beare Green, Dorking, Surrey, RH5 4PS, England

Phone: +44 (0)1306 712820

Fax: +44 (0)1306 711240



mail@funktion-one.com

www.funktion-one.com

Accessories for: Ground Stack System for Evo Enclosures - Boards

GSB-EG1, GSB-6G2,
GSB-7G2, GSB-7G3